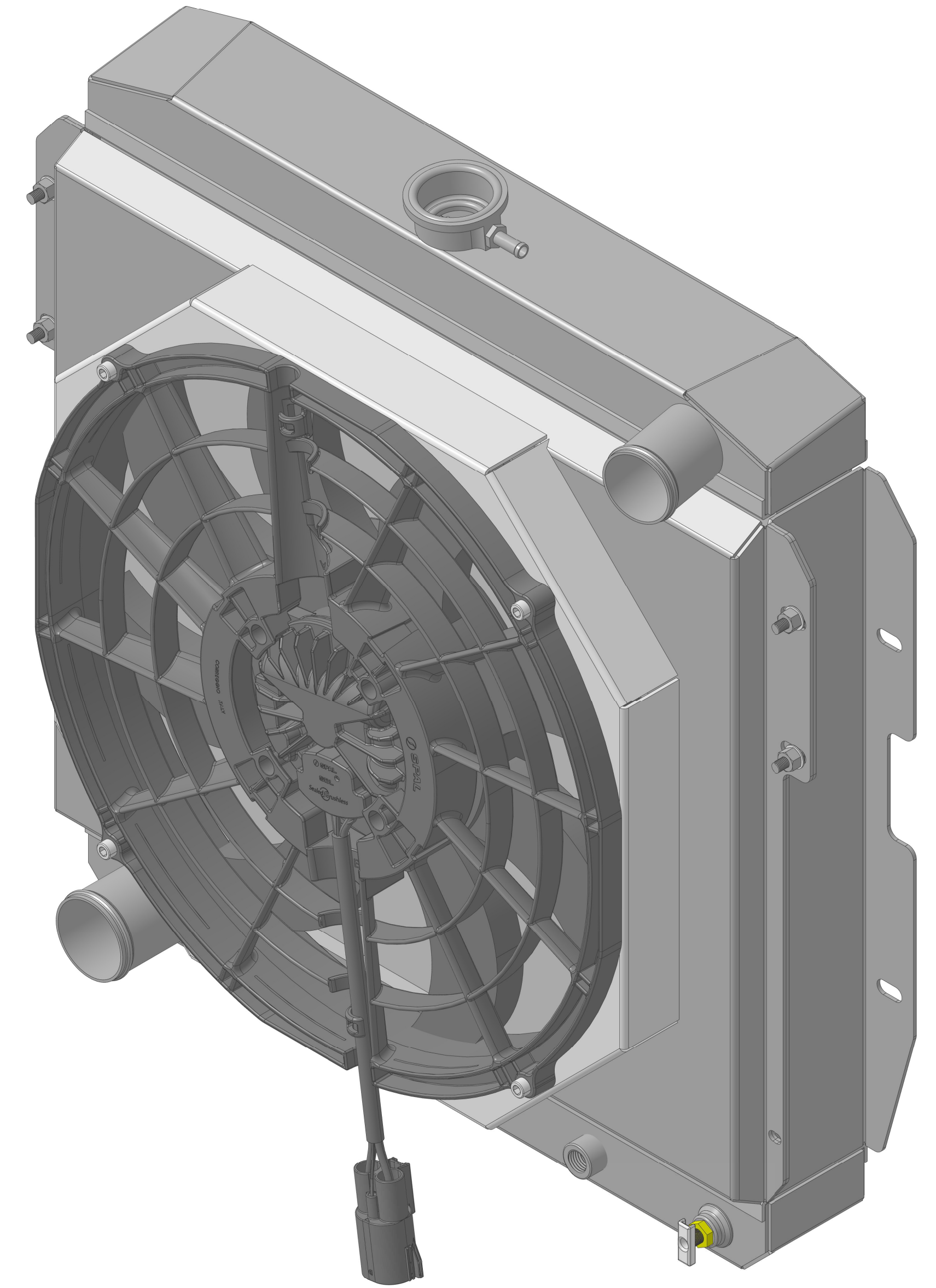
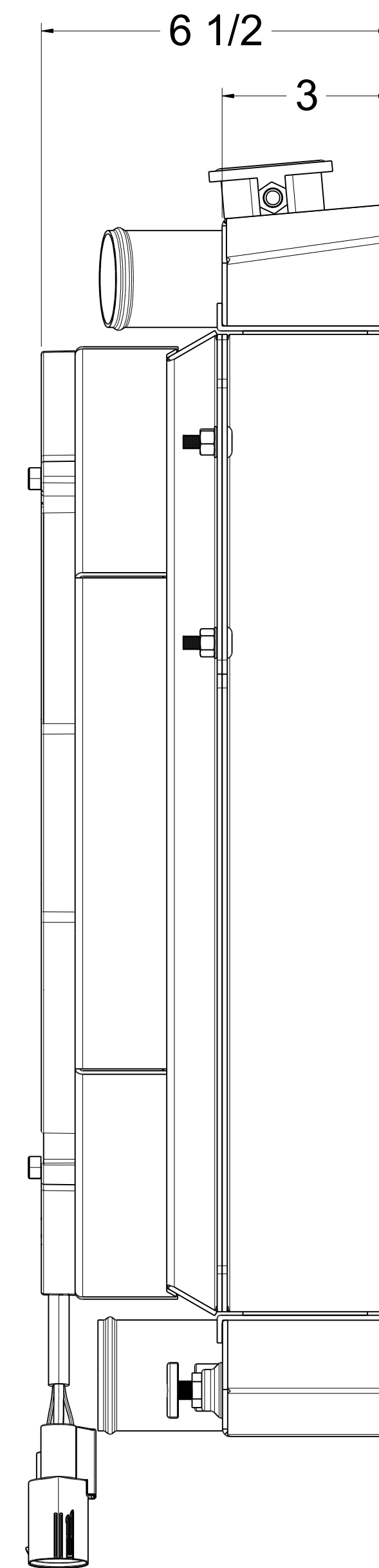
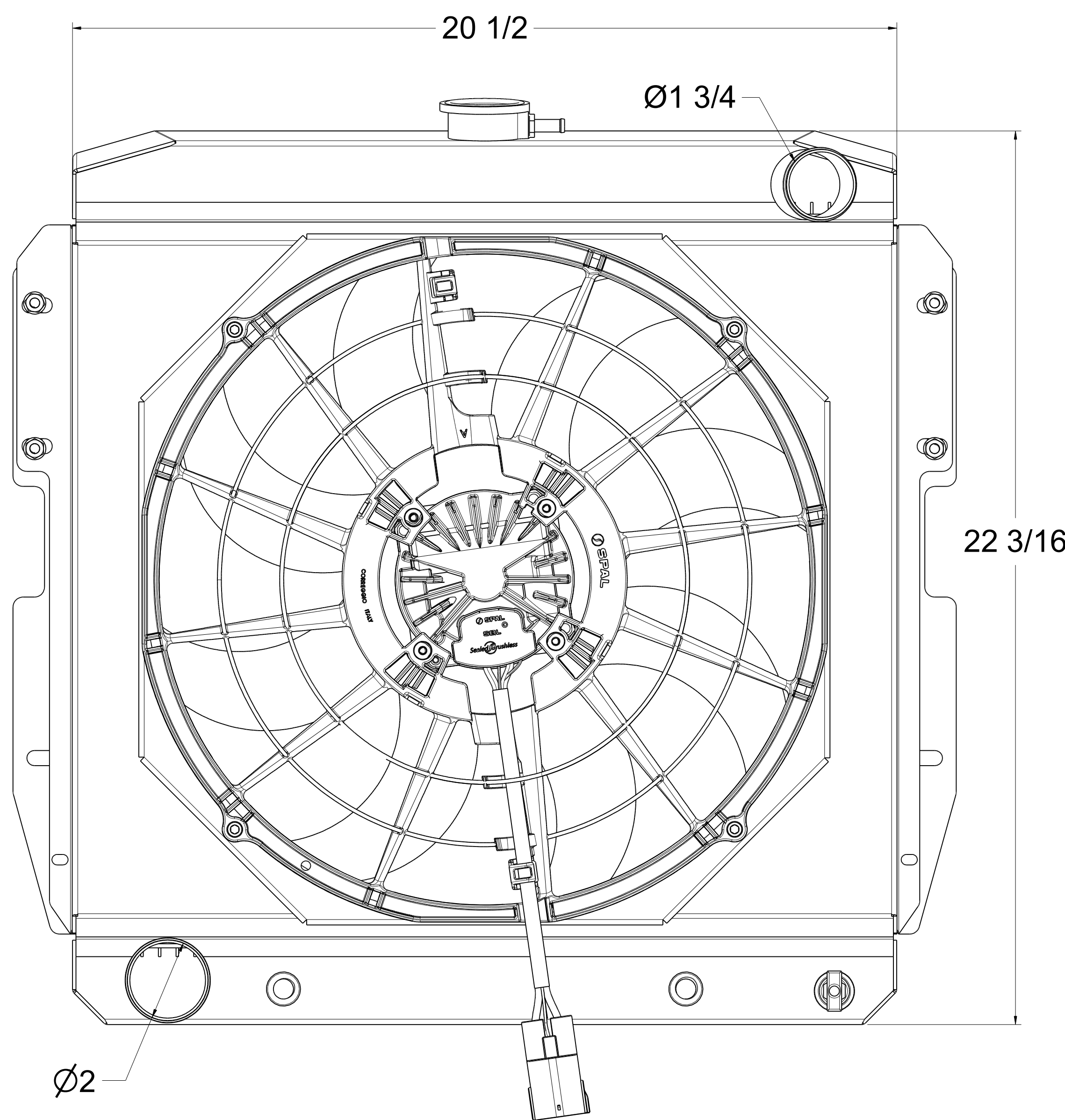
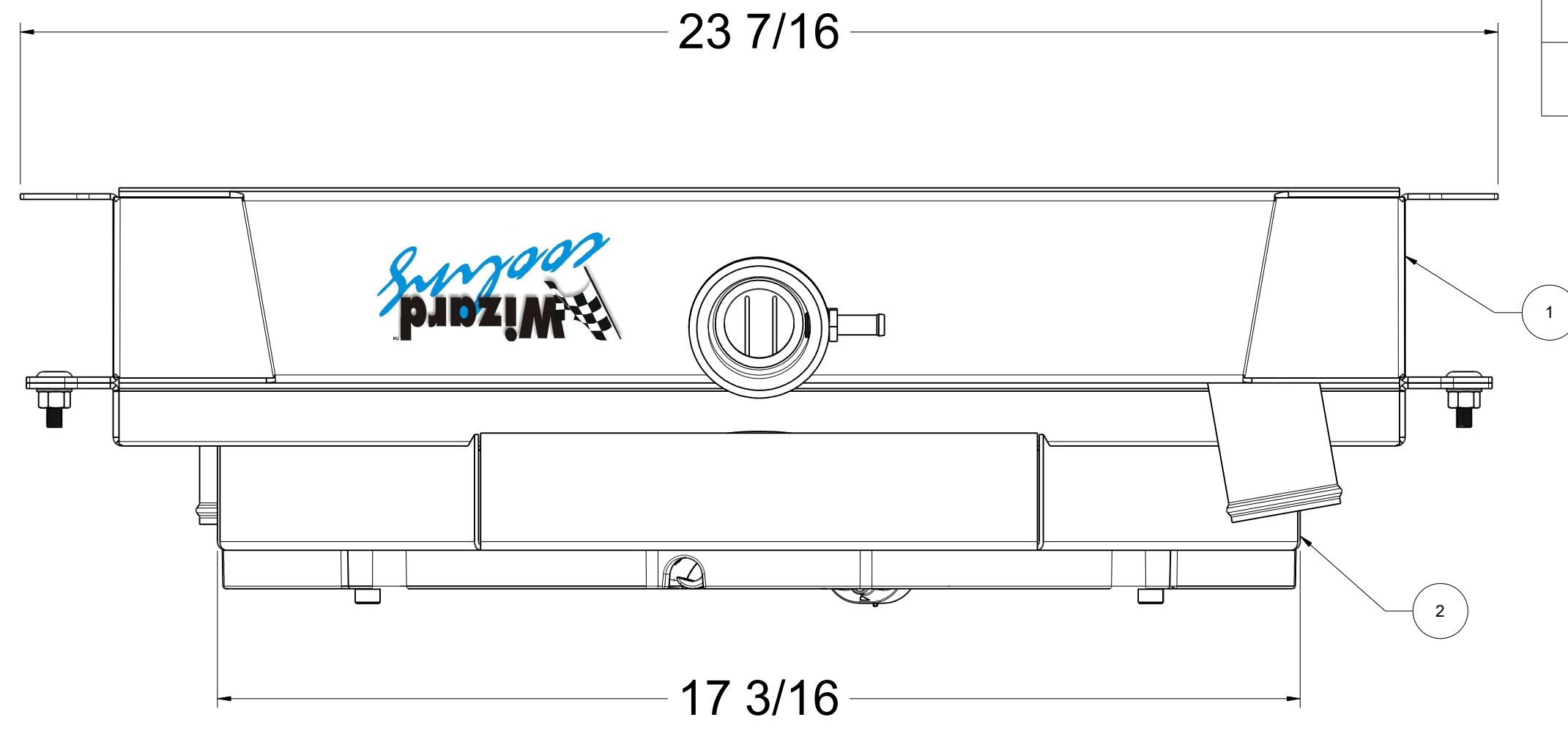


SKU #	Radiator DWG #	Radiator P/N	Transmission	Core Size	Shroud & Fan DWG #	Shroud & Fan P/N	Fan Type
1-1629-118BL300	1-1629-Radiator	1-1629-110	Automatic	STANDARD (2 Rows of 1" Tubes)	1-1629-008BL (Dual Chamber Shroud)	1-1629-008BL300	300W Brushless
1-1629-118BL500						1-1629-008BL500	500W Brushless
1-1629-218BL300		1-1629-210		UPGRADED (2 Rows of 1.25" Tubes)		1-1629-008BL300	300W Brushless
1-1629-218BL500						1-1629-008BL500	500W Brushless



Item Number	Quantity	Part Number	Part Name	Revision	Comment
1	1	See Table "Radiator P/N"	1629 Radiator (AT) Assembly		
2	1	See Table "Shroud & Fan P/N"	1629 Brushless Fan(s) Shroud Assembly		


Wizard
cooling
 Custom Aluminum Radiators
www.wizardcooling.com

Contact Us:
 716-655-6760

Part Number
1-1629-Radiator
Automatic Transmission
& 1-1629-008BL