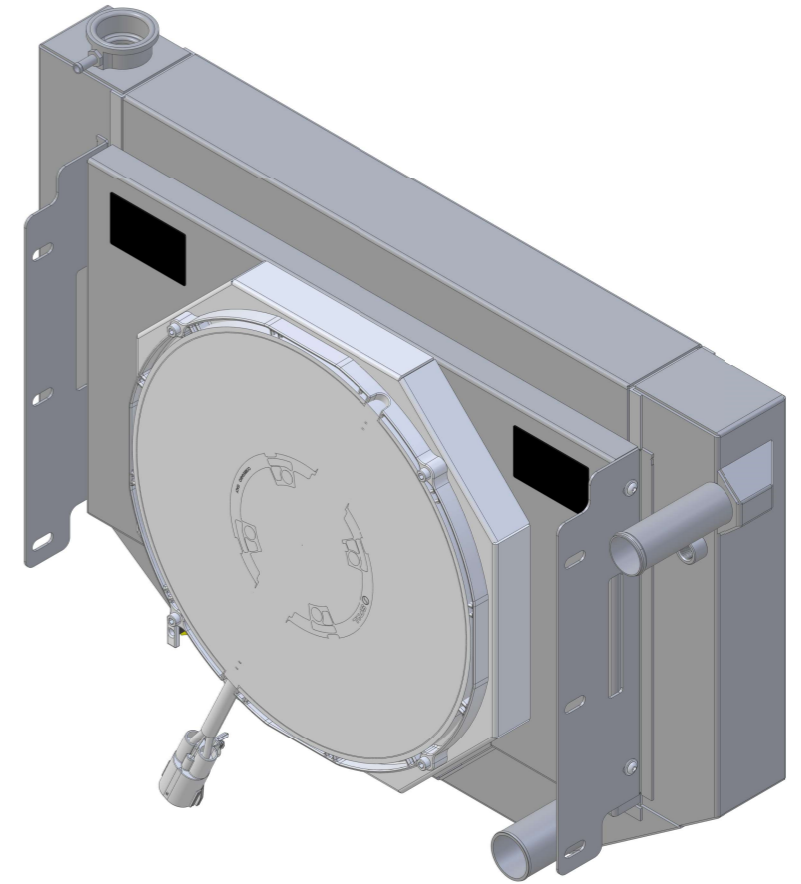
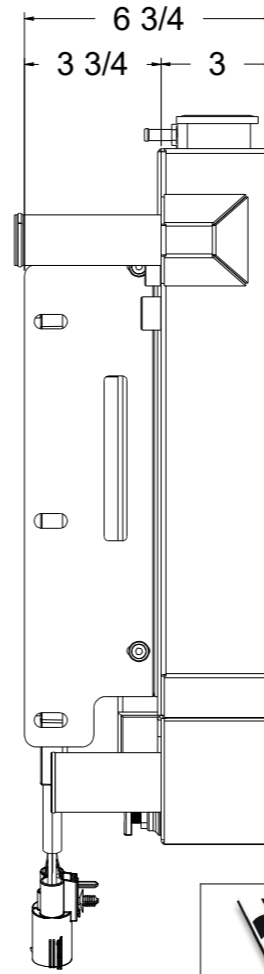
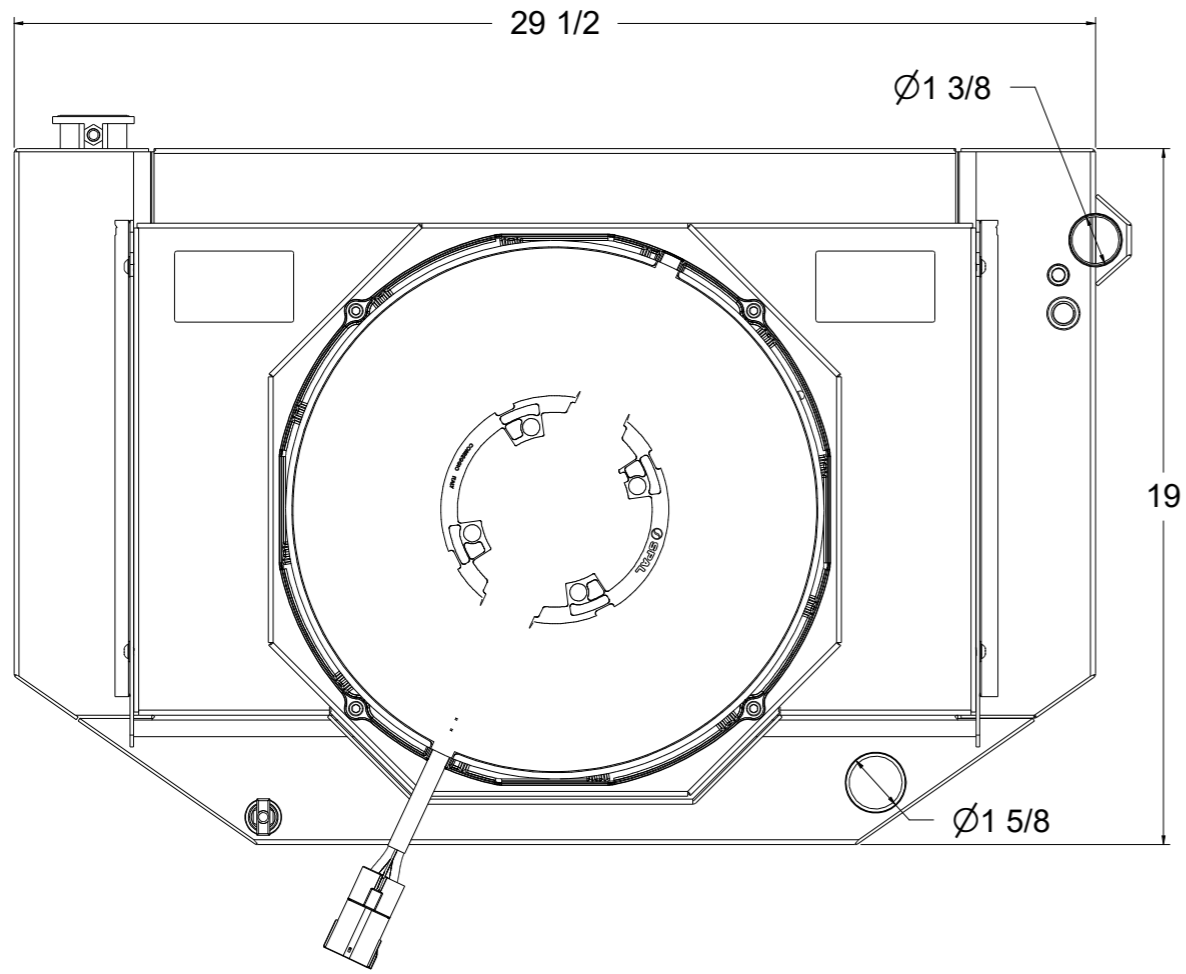
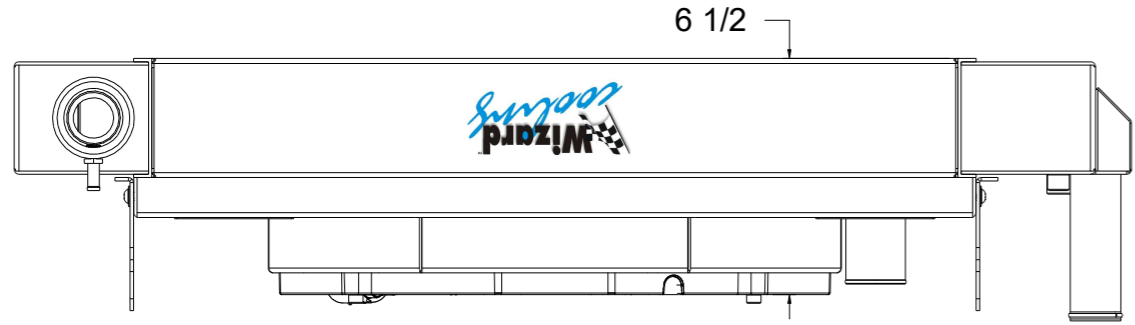


SKU #	Radiator DWG #	Radiator P/N	Transmission	Core Size	Shroud & Fan DWG #	Shroud & Fan P/N	Fan Type
1-1657-108CFCLSBL300	1-1657-CFCLS Radiator	1-1657-100CFCLS	Manual	STANDARD (2 Rows of 1" Tubes)	1-1657-008CFCBL (Dual Chamber Shroud)	1-1657-008CFCBL300	300W Brushless
1-1657-108CFCLSBL500				1-1657-008CFCBL500		500W Brushless	
1-1657-208CFCLSBL300		1-1657-200CFCLS		UPGRADED (2 Rows of 1.25" Tubes)		1-1657-008CFCBL300	300W Brushless
1-1657-208CFCLSBL500				1-1657-008CFCBL500		500W Brushless	



**Wizard**  
*cooling*  
Custom Aluminum Radiators  
[www.wizardcooling.com](http://www.wizardcooling.com)

Contact Us:  
716-655-6760

Part Number  
1-1657-CFC LS Radiator  
Manual Transmission  
&  
1-1657-008BL