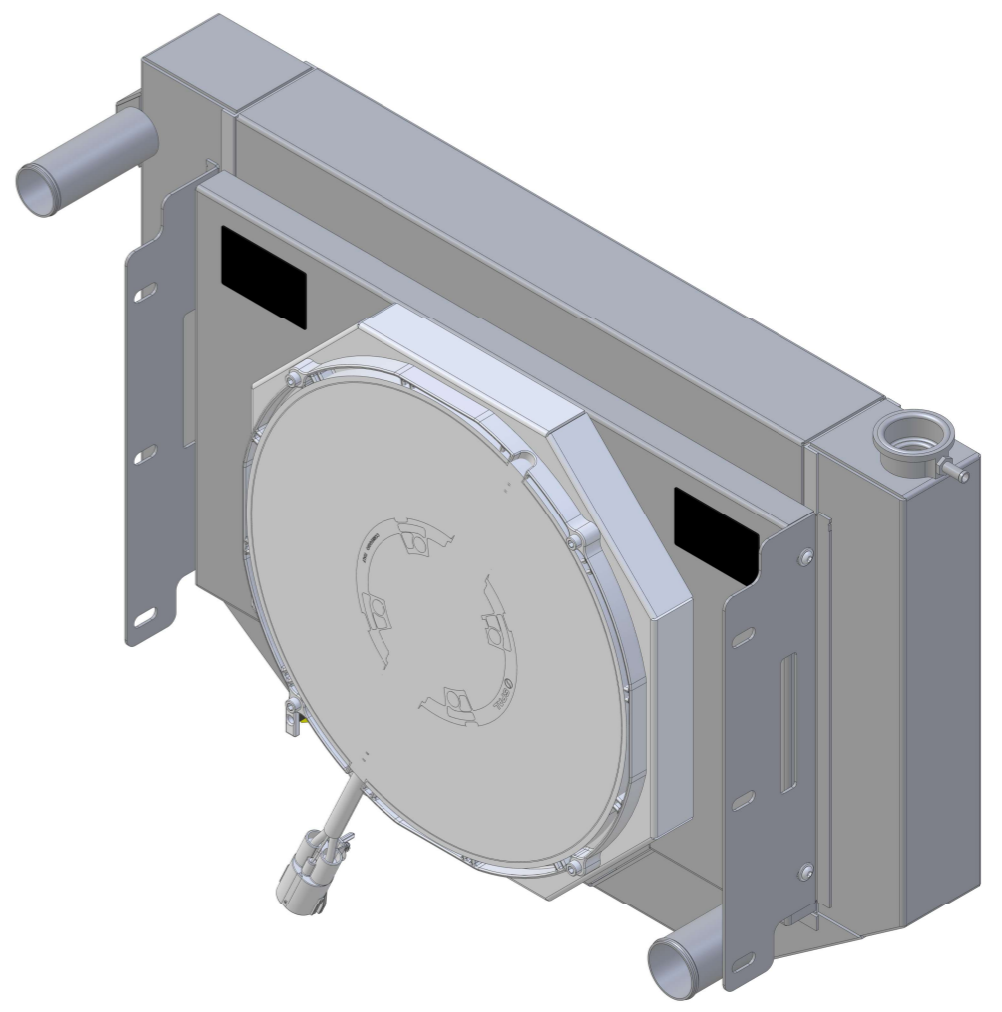
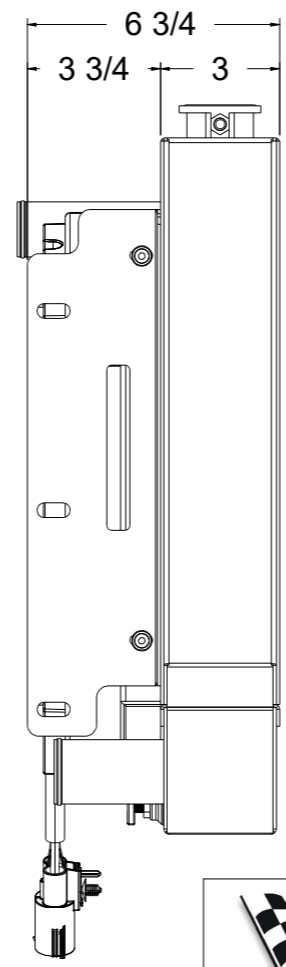
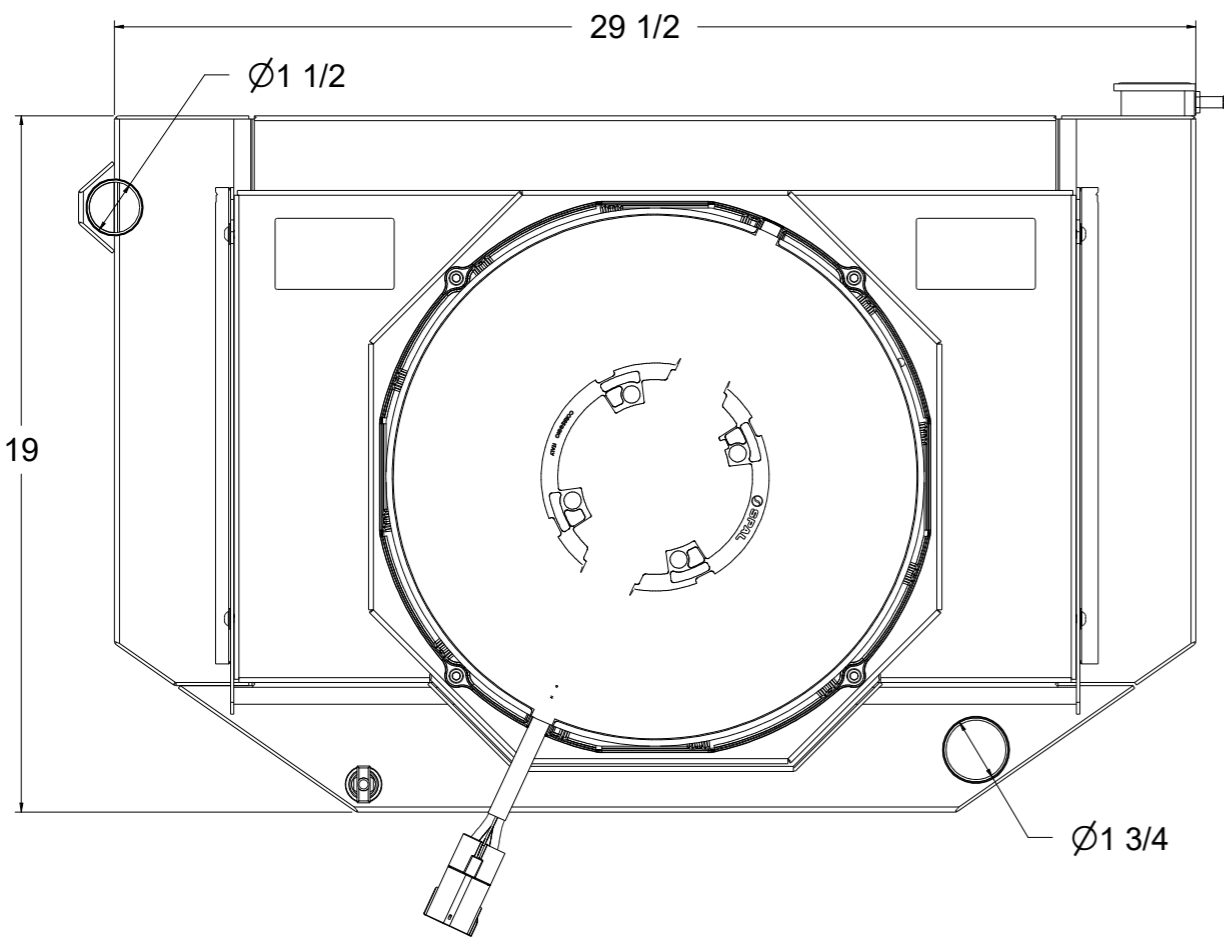
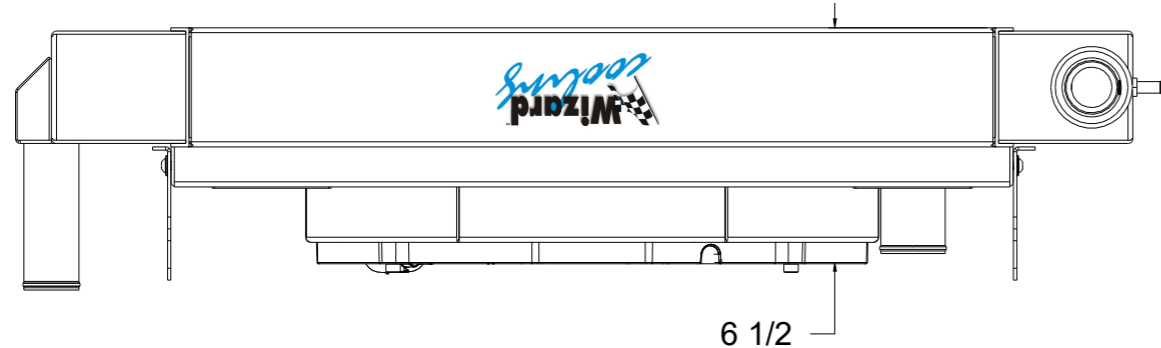


SKU #	Radiator DWG #	Radiator P/N	Transmission	Core Size	Shroud & Fan DWG #	Shroud & Fan P/N	Fan Type
1-1657-108CFCBL300	1-1657-CFC Radiator	1-1657-100CFC	Manual	STANDARD (2 Rows of 1" Tubes)	1-1657-008CFCBL (Dual Chamber Shroud)	1-1657-008CFCBL300	300W Brushless
1-1657-108CFCBL500				1-1657-008CFCBL500		500W Brushless	
1-1657-208CFCBL300		1-1657-200CFC		UPGRADED (2 Rows of 1.25" Tubes)		1-1657-008CFCBL300	300W Brushless
1-1657-208CFCBL500				1-1657-008CFCBL500		500W Brushless	



Contact Us:  
716-655-6760

Part Number  
1-1657-CFC Radiator  
Manual Transmission  
&  
1-1657-008BL