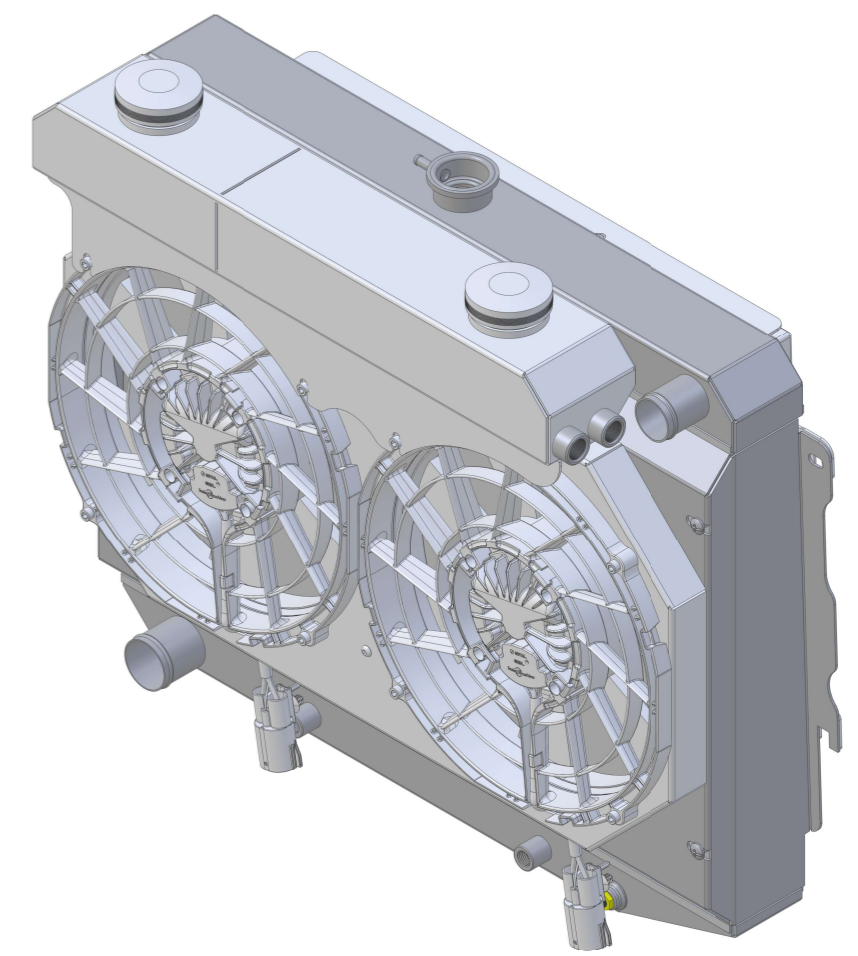
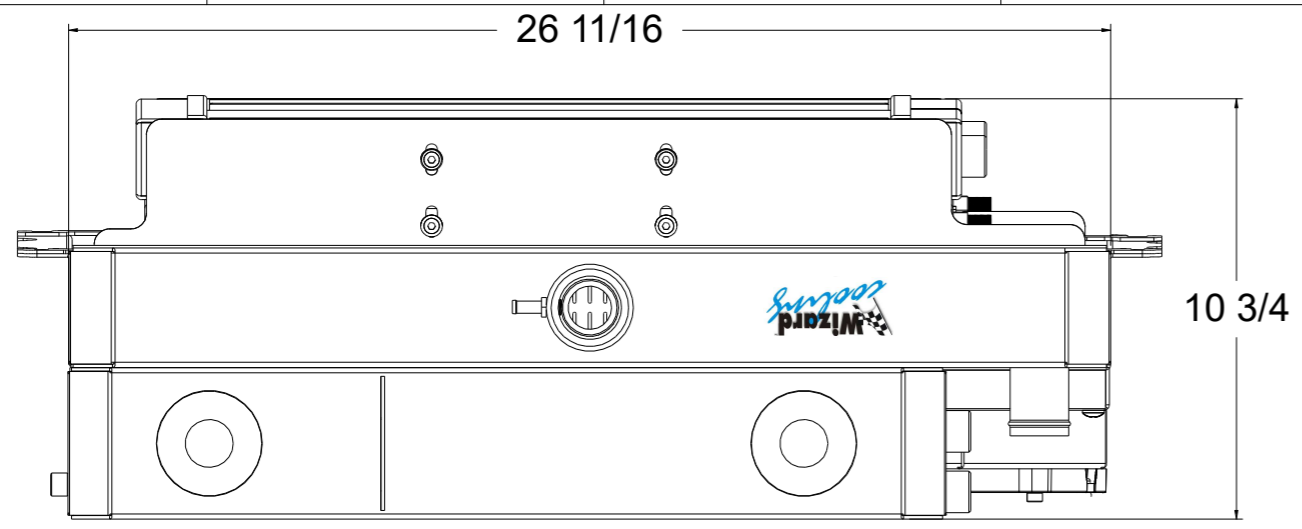
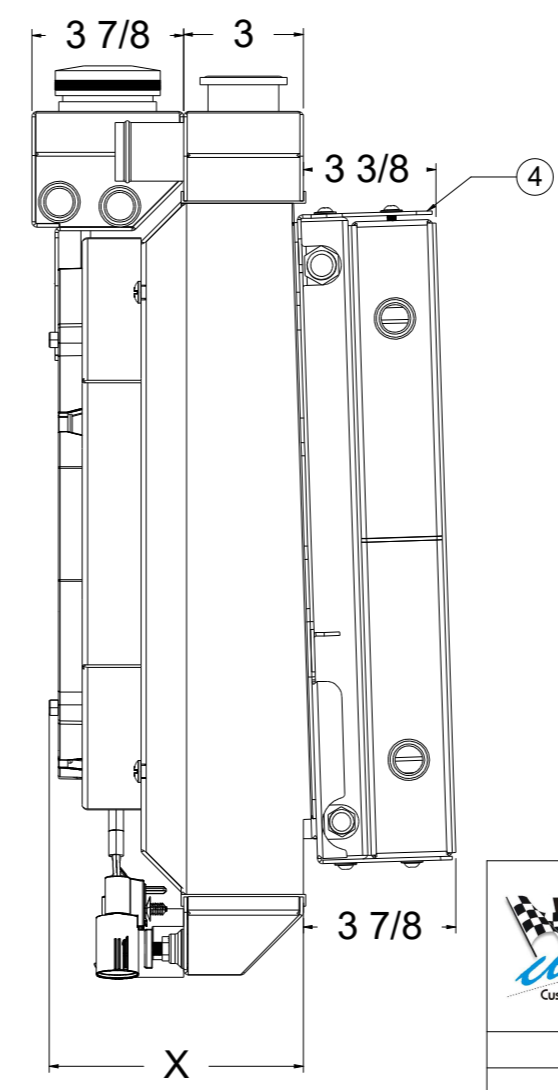
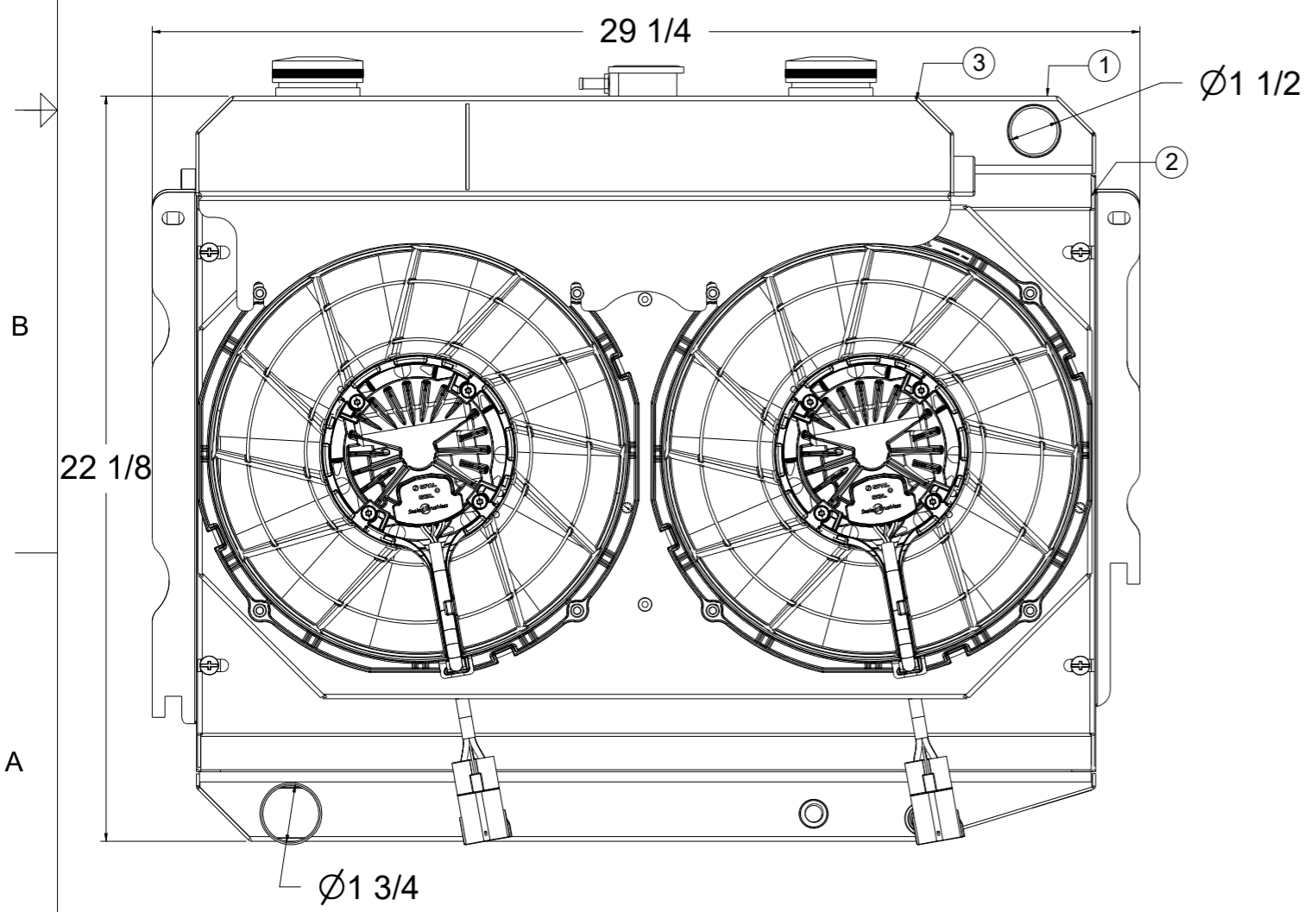


8 7 6 5 4 3 2 1

REVISIONS				
ZONE	REV	DESCRIPTION	DATE	APPROVED



SKU #	Radiator DWG #	Radiator P/N	Transmission	Core Size	Shroud & Fan DWG #	Shroud & Fan P/N	Fan Type	Dimension "X"
1-375-102HCBLACXXIN	1-375-HC Radiator	1-375-100HC	Manual	STANDARD (2 Rows of 1" Tubes)	1-375-002BL (Dual Chamber Shroud)	1-375-002BL	12" 300 Watt Brushless	6.5"
1-375-112HCBLACXXIN		1-375-110HC	Automatic					
1-375-202HCBLACXXIN		1-375-200HC	Manual	UPGRADED (2 Rows of 1.25" Tubes)				
1-375-212HCBLACXXIN		1-375-210HC	Automatic					



Item Number	Quantity	Part Number	Part Name	Revision	Comment
1	1	1-375-HC Radiator	375 Radiator Hellcat Motor		
2	1	1-375-002BL	375 Dual 12" Brushless Shroud		
3	1	1-375-000XX	375 Expansion Tank Assembly		
4	1	1-375-000ACIN	375 AC & Intercooler Assembly		



DRAWN SH	DATE 12-7-23	Title: 1-375 Beast Assemblies		
CHECKED		SIZE D	FSCM NO.	DWG NO.
QA		SCALE 1:1		REV -
MFG				SHEET
APPROVED				

8 7 6 5 4 3 2 1