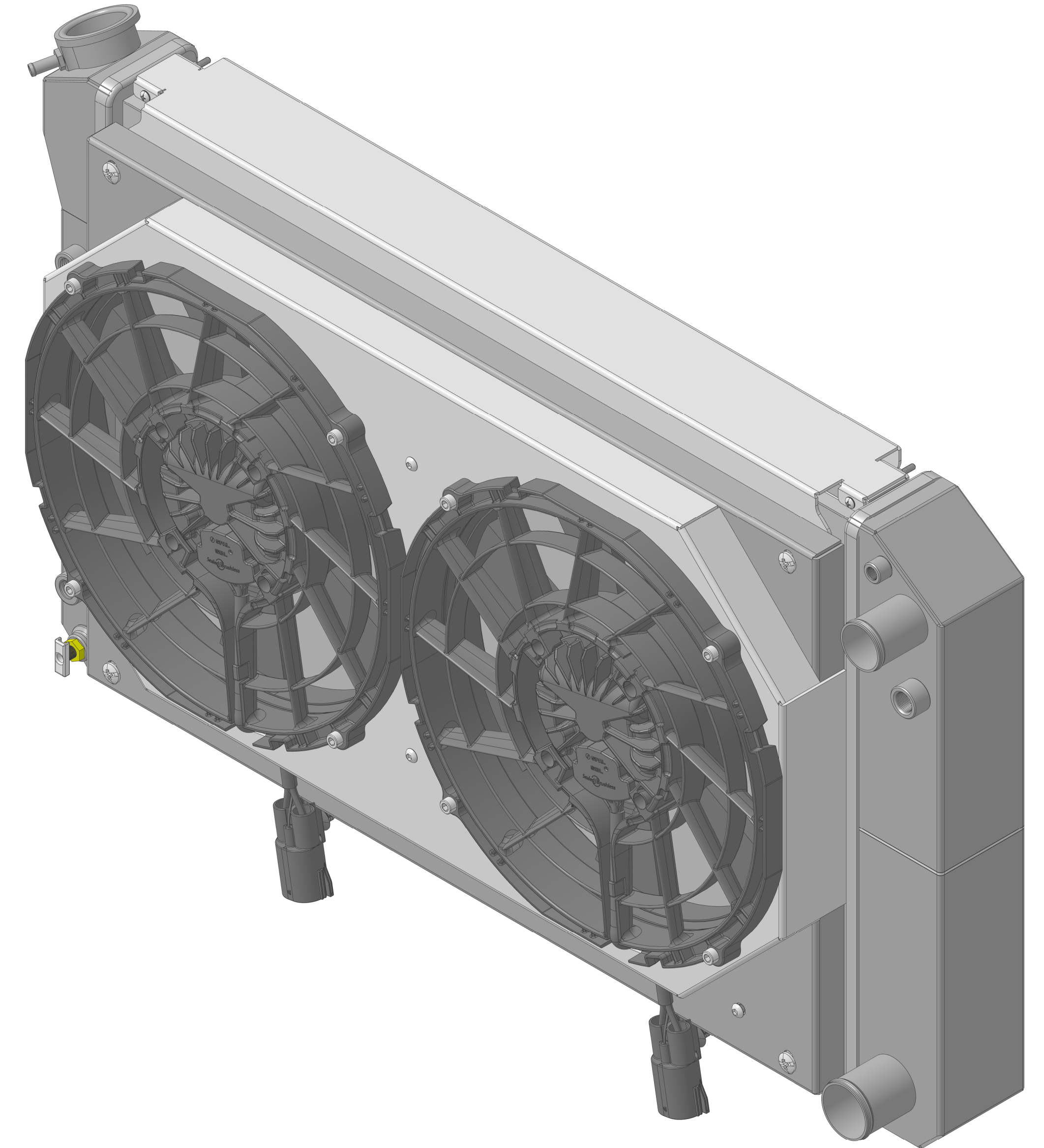
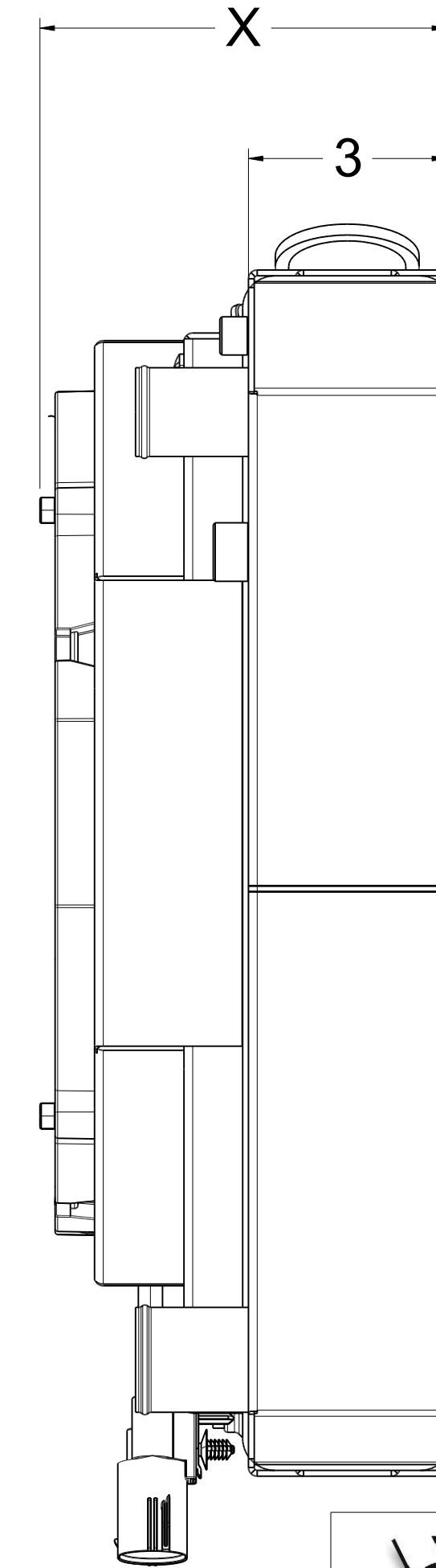
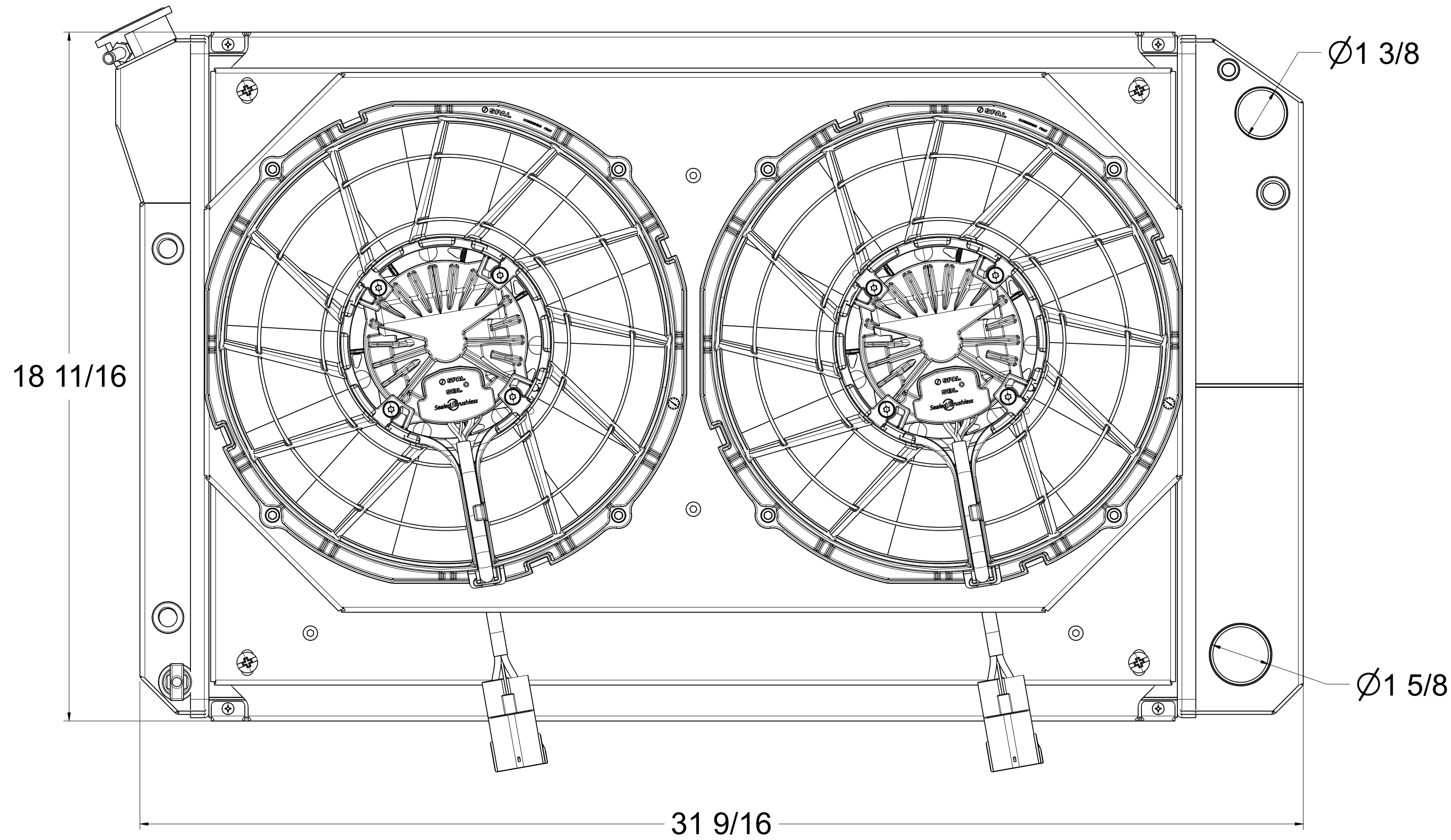
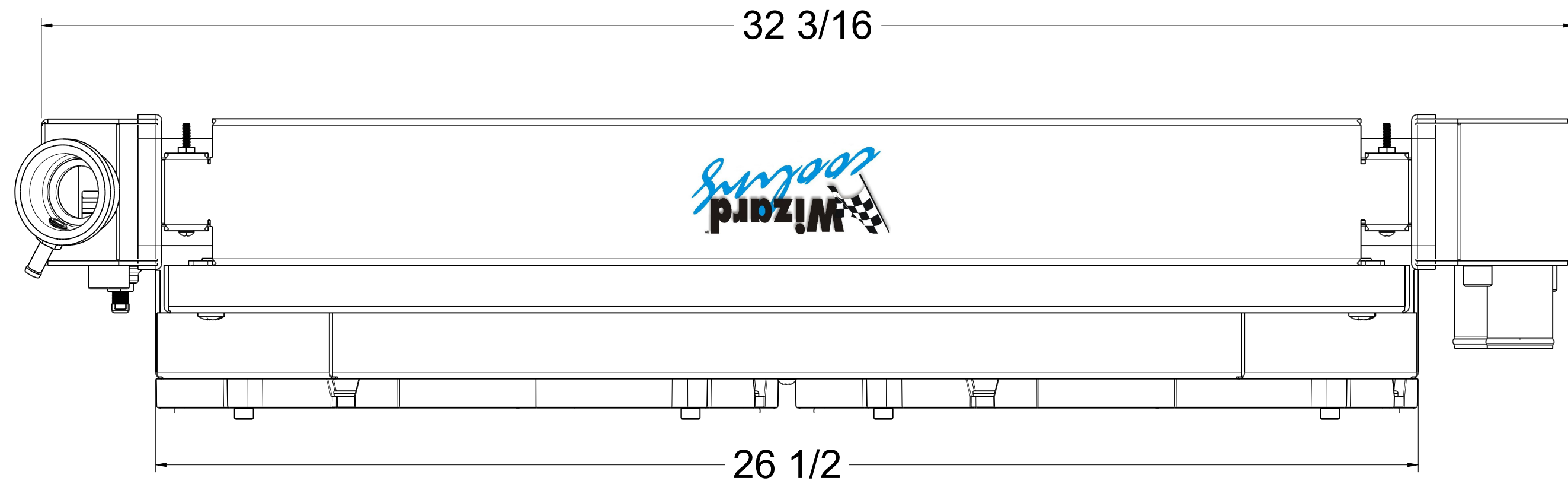


SKU #	Radiator DWG #	Radiator P/N	Transmission	Core Size	Shroud & Fan DWG #	Shroud & Fan P/N	Fan Type	Dimension "X"
1-562-112LSBL	1-562-LS Radiator	1-562-110LS	Automatic	STANDARD (2 Rows of 1" Tubes)	1-562-002BL (Dual Chamber Shroud)	1-562-002BL	300 Watt Brushless	6.5"
1-562-212LSBL		1-562-210LS		UPGRADED (2 Rows of 1.25" Tubes)				




 Custom Aluminum Radiators
www.wizardcooling.com

Contact Us:
716-655-6760

Drawing Name
**1-562-LS Radiator
 &
 1-562-002BL
 Automatic Transmission**