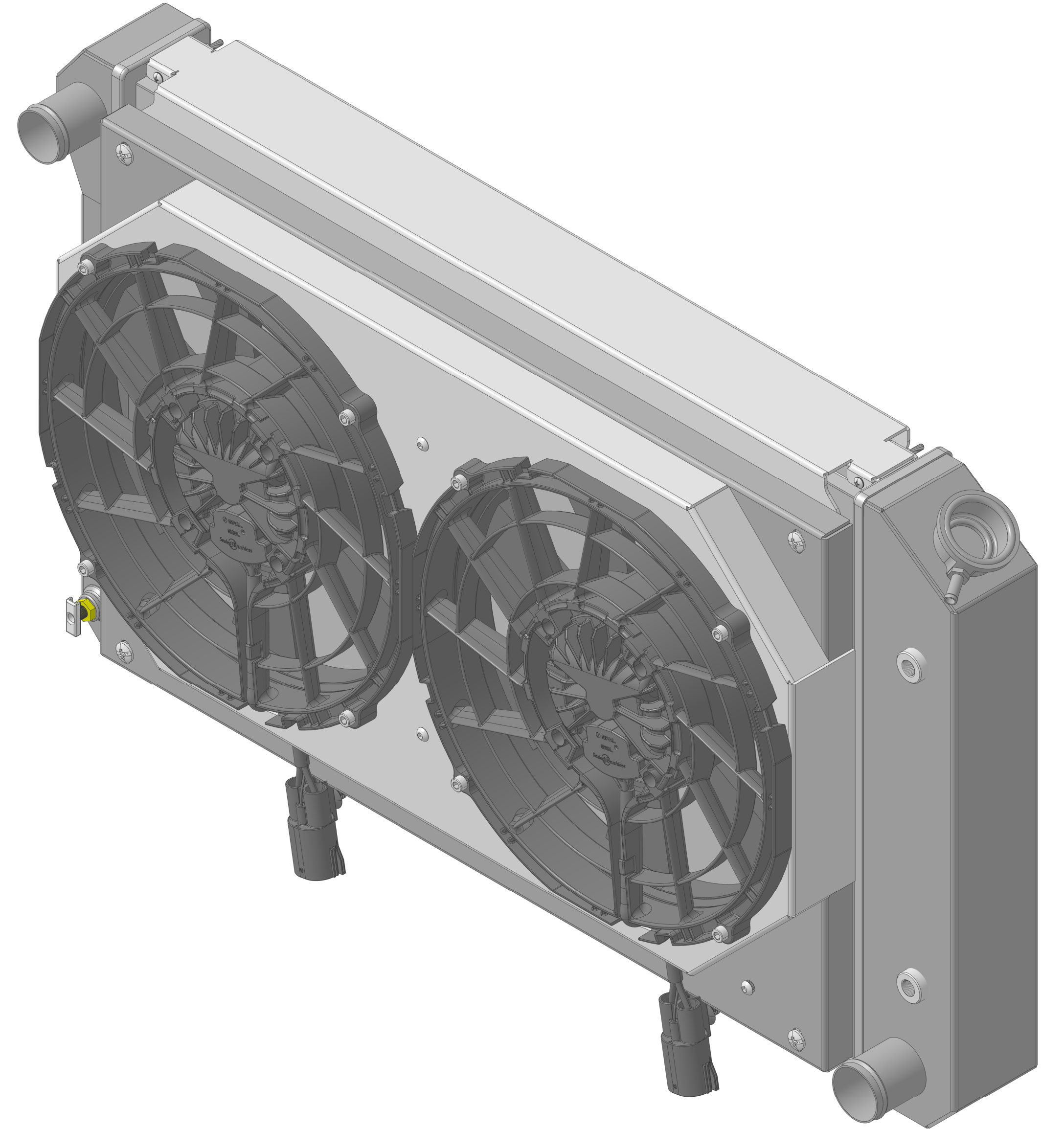
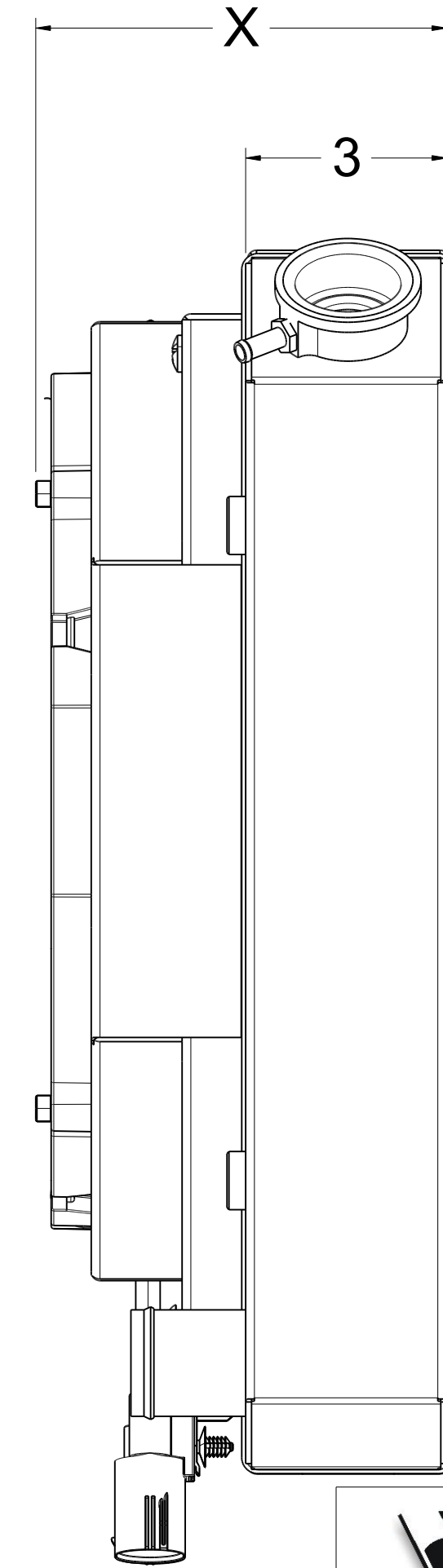
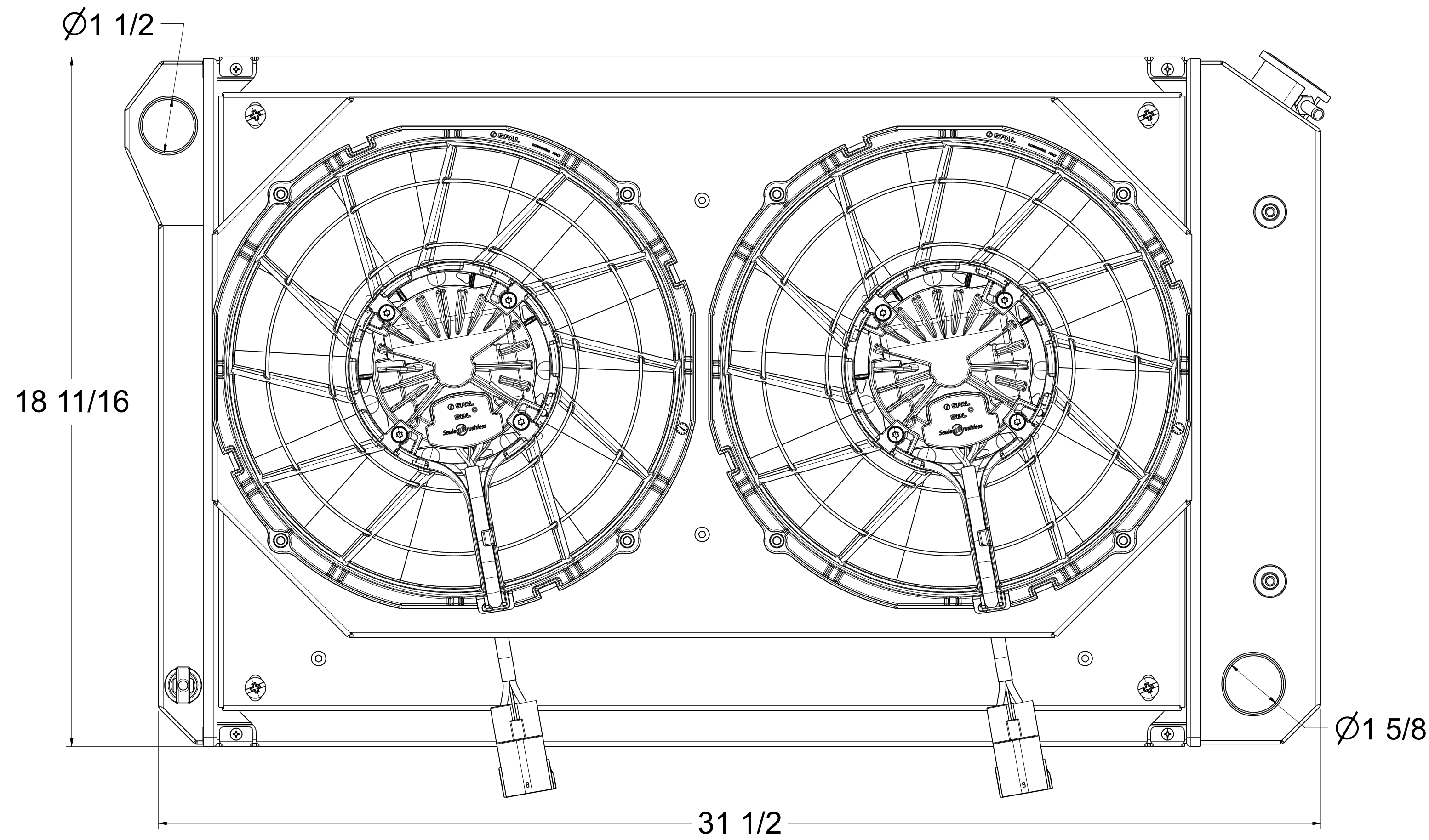
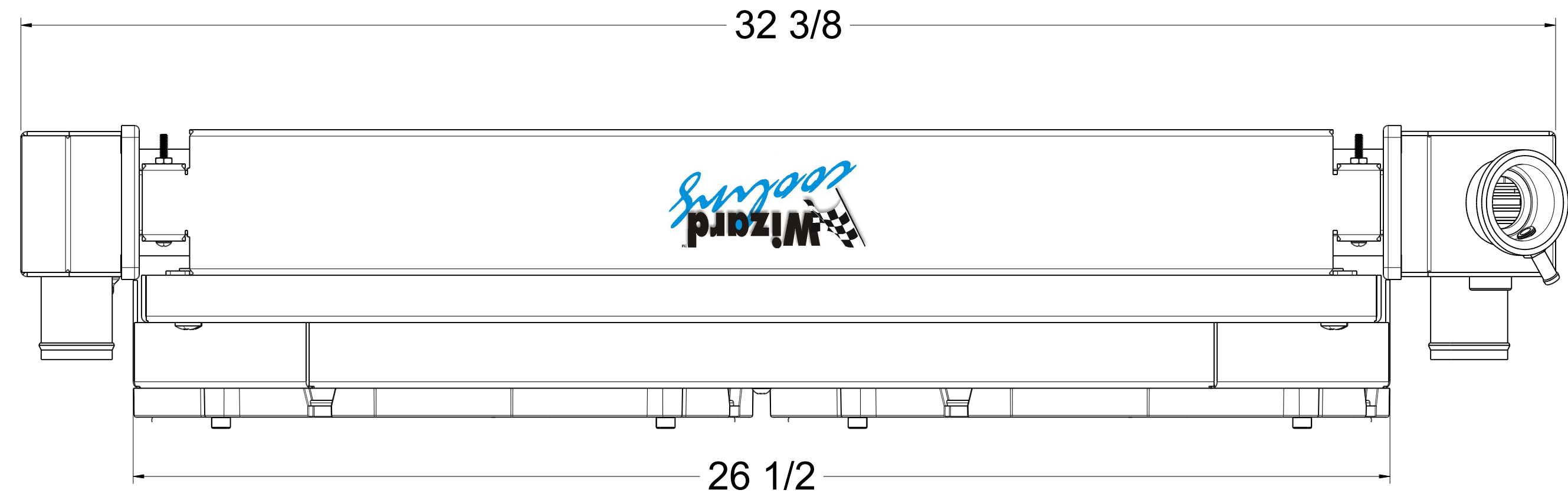


SKU #	Radiator DWG #	Radiator P/N	Transmission	Core Size	Shroud & Fan DWG #	Shroud & Fan P/N	Fan Type	Dimension "X"
1-562-112BL	1-562-Radiator	1-562-110	Automatic	STANDARD (2 Rows of 1" Tubes)	1-562-002BL (Dual Chamber Shroud)	1-562-002BL	300 Watt Brushless	6.5"
1-562-212BL		1-562-210		UPGRADED (2 Rows of 1.25" Tubes)				



Wizard
cooling
Custom Aluminum Radiators
www.wizardcooling.com

Contact Us:
716-655-6760

Drawing Name
**1-562-Radiator
&
1-562-002BL
Automatic Transmission**