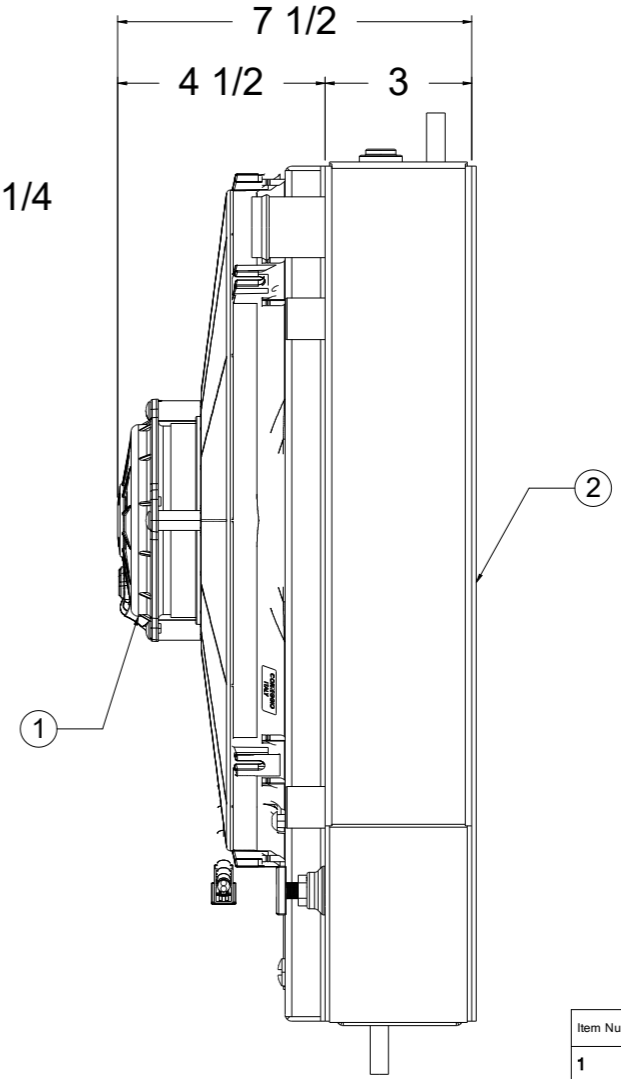
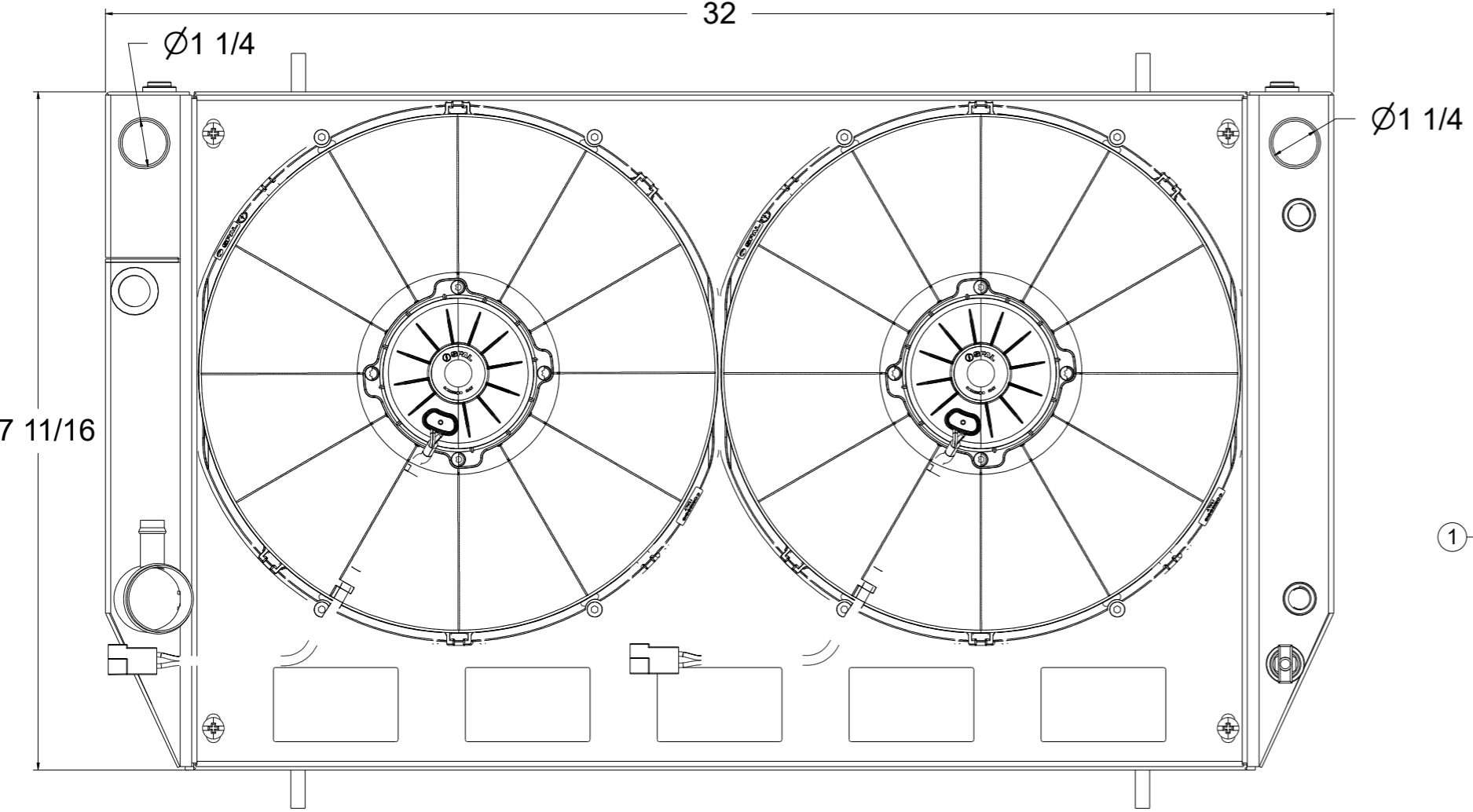
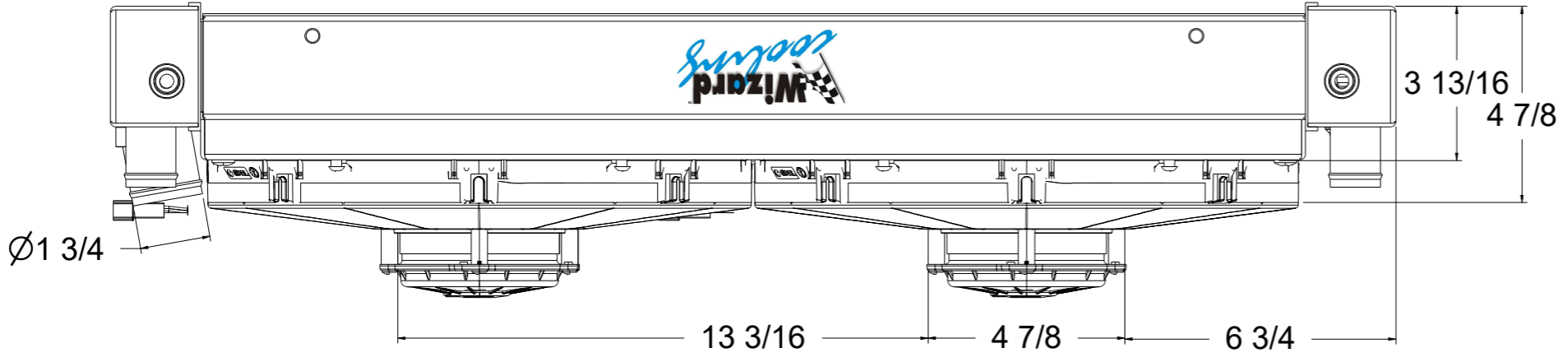
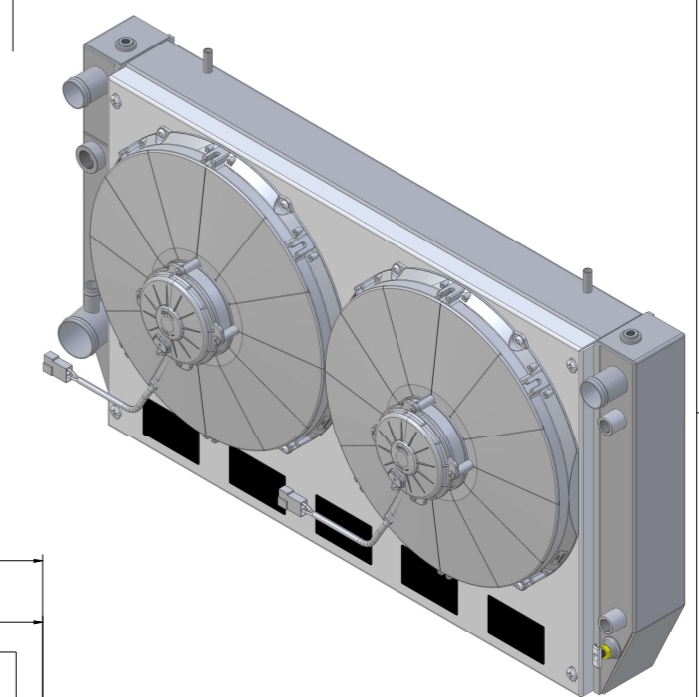


8 7 6 5 4 3 2 1

ZONE		REV	DESCRIPTION	DATE	APPROVED



Item Number	Quantity	Part Number	Part Name
1	1	1-577-002HP	Fan Shroud Package (Brush Style)
2	1	1-577-110	Radiator Assembly (Manual)

	DRAWN	RM	DATE	01/20/25	Title:	<h1>1-577-112HP</h1>			
	CHECKED								
	QA				SIZE	D			
	MFG				FSCM NO.		DIWG NO.		REV
APPROVED					SCALE	1:1	SHEET		

8 7 6 5 4 3 2 1