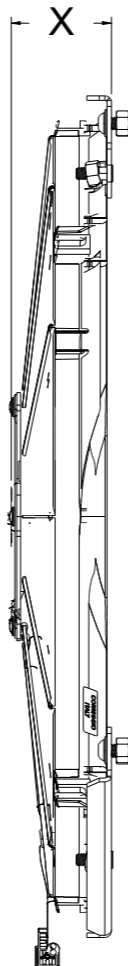
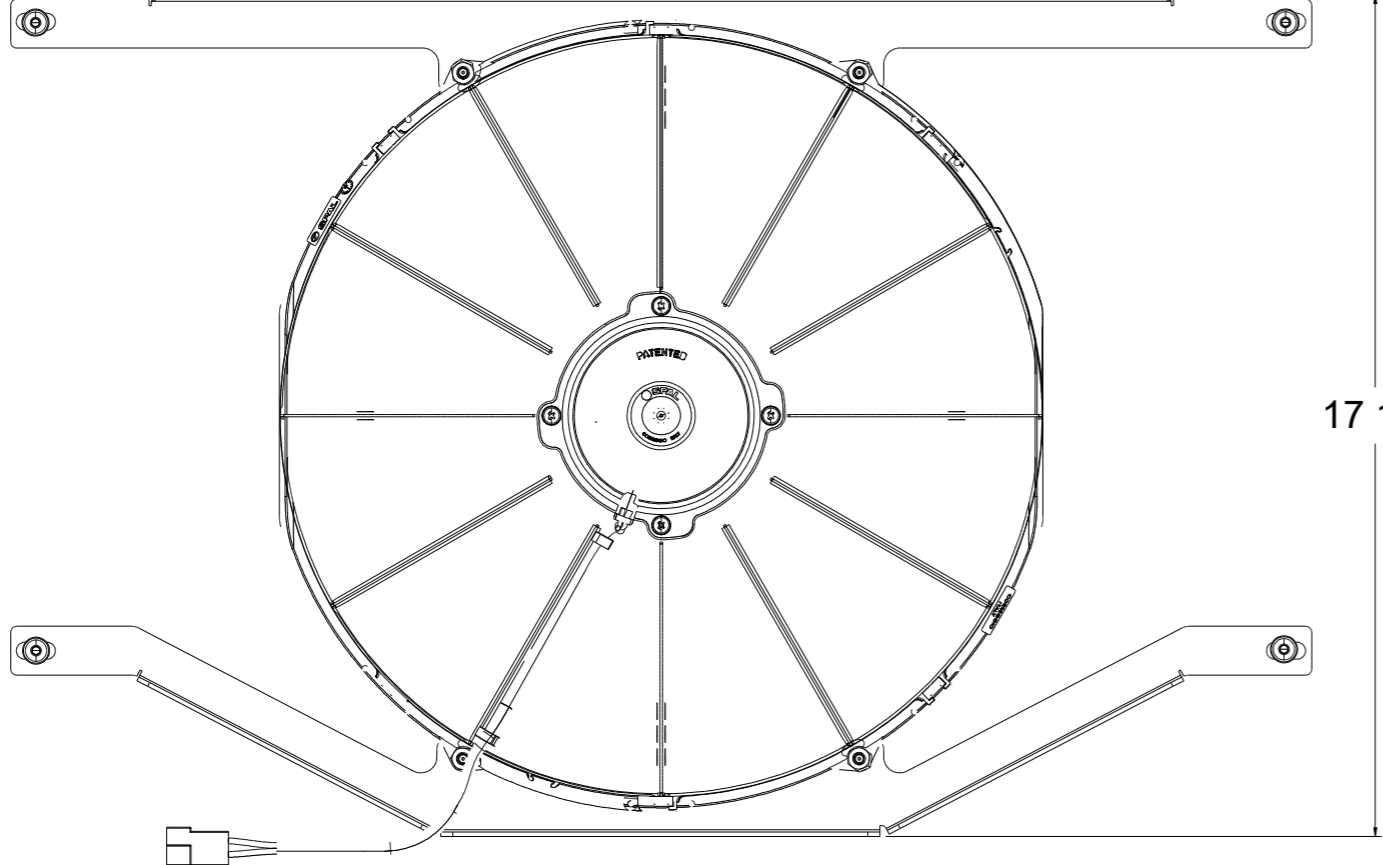
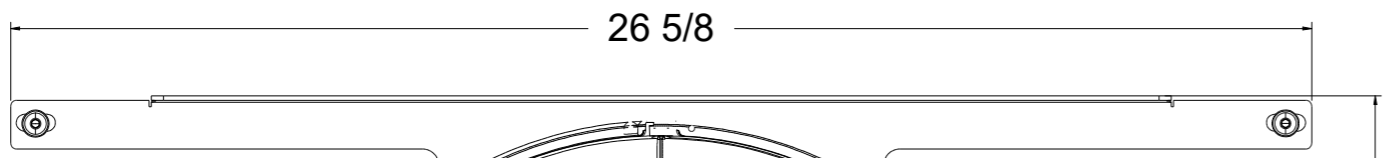
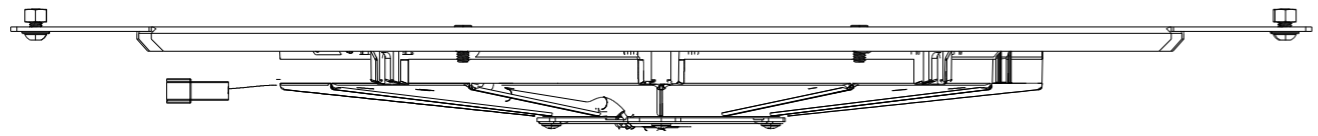
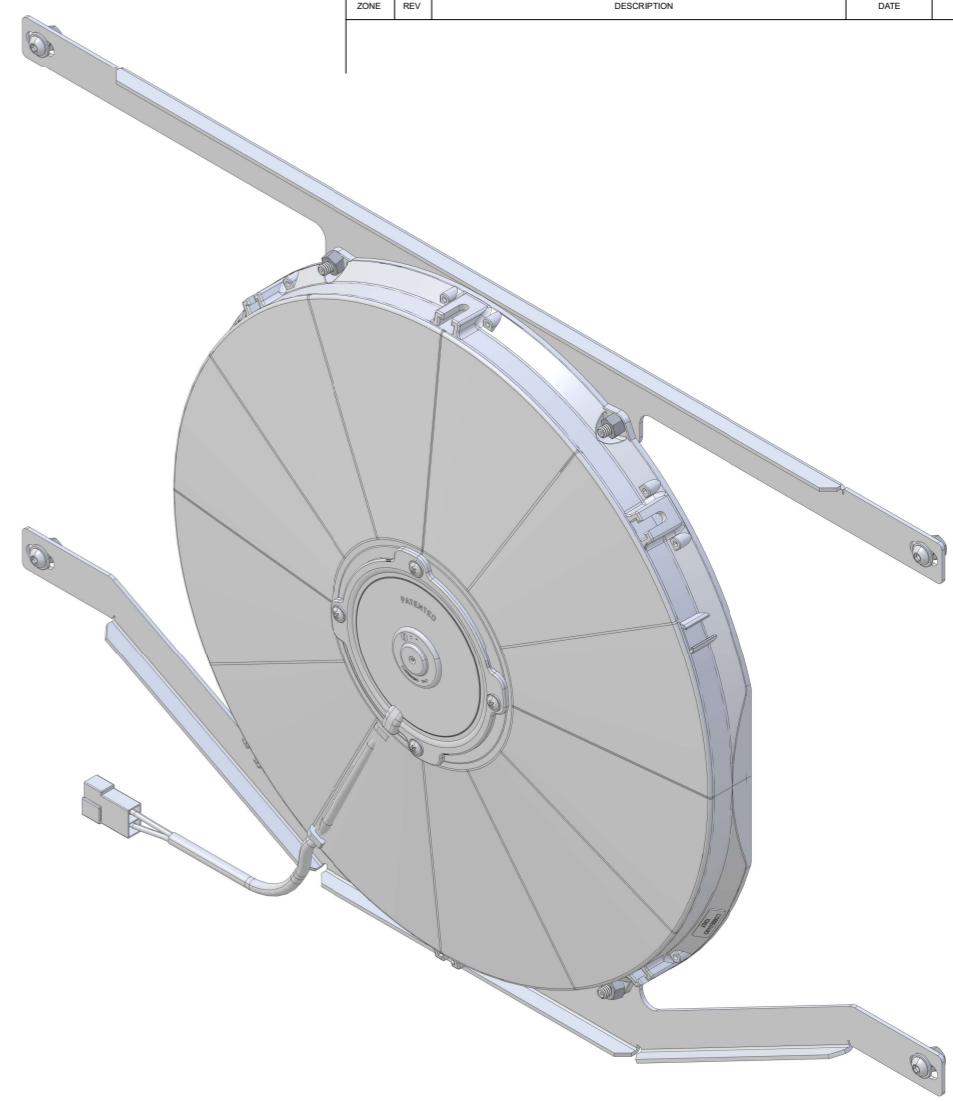


REVISIONS				
ZONE	REV	DESCRIPTION	DATE	APPROVED



SKU #	Fan Type	Dimension "X"
1-99002-007LP	Low Profile	2"
1-99002-007MD	Medium Duty	2.5"
1-99002-007HP	High Performance	3.5"

DRAWN	DATE	Title: <b>1-99002-007 (Pusher)</b>
CHECKED		
QA		
MFG		
APPROVED		SIZE: D FSCM NO.: DWG NO.: REV: - SCALE: 1:1 SHEET: