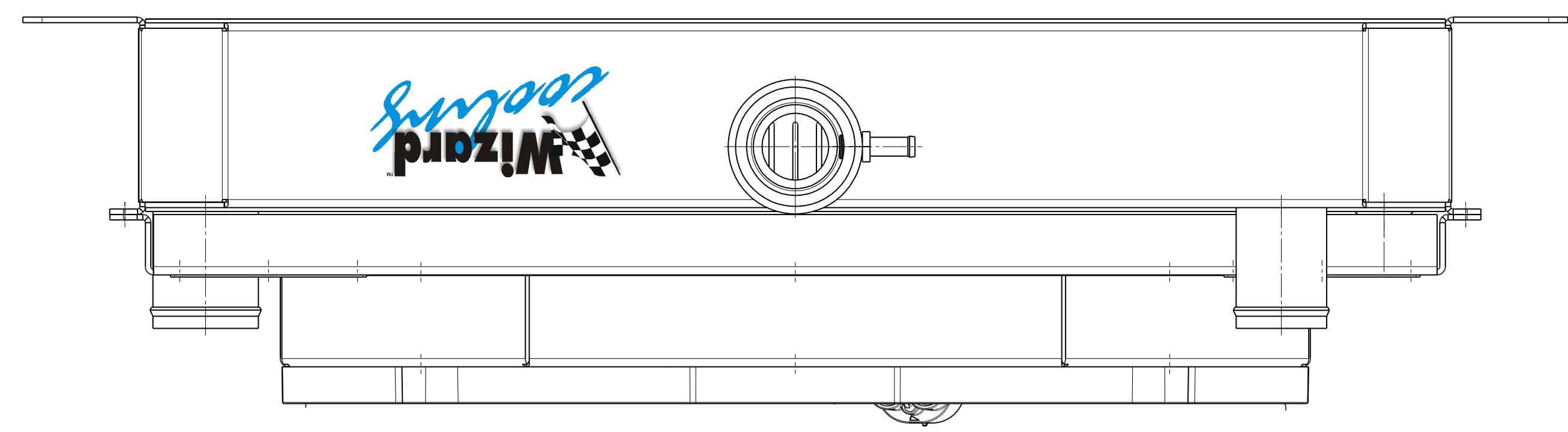


ZONE		REV	DESCRIPTION	DATE	APPROVED
REVISIONS					

D

D



C

C

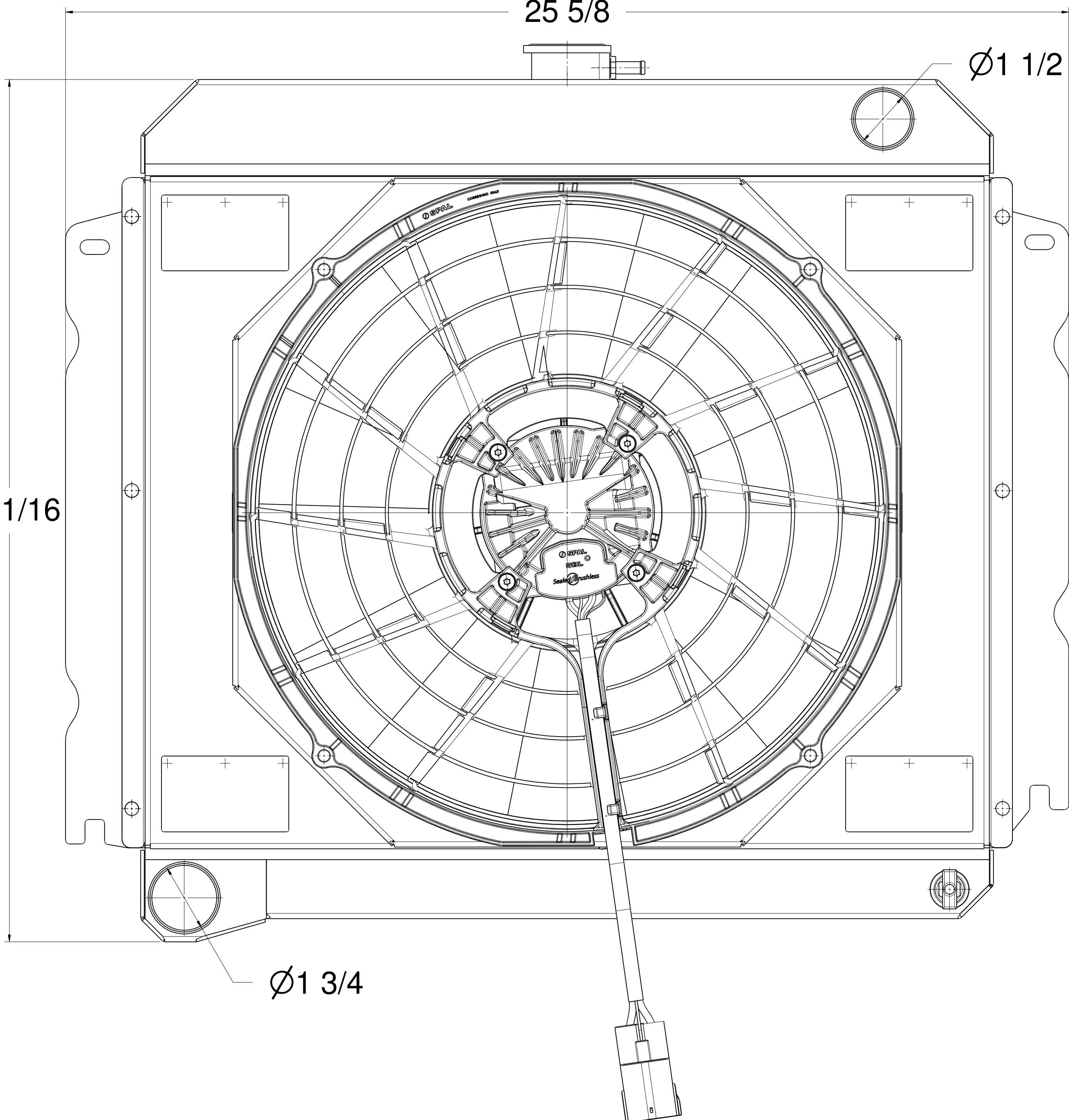
25 5/8

Ø1 1/2

B

B

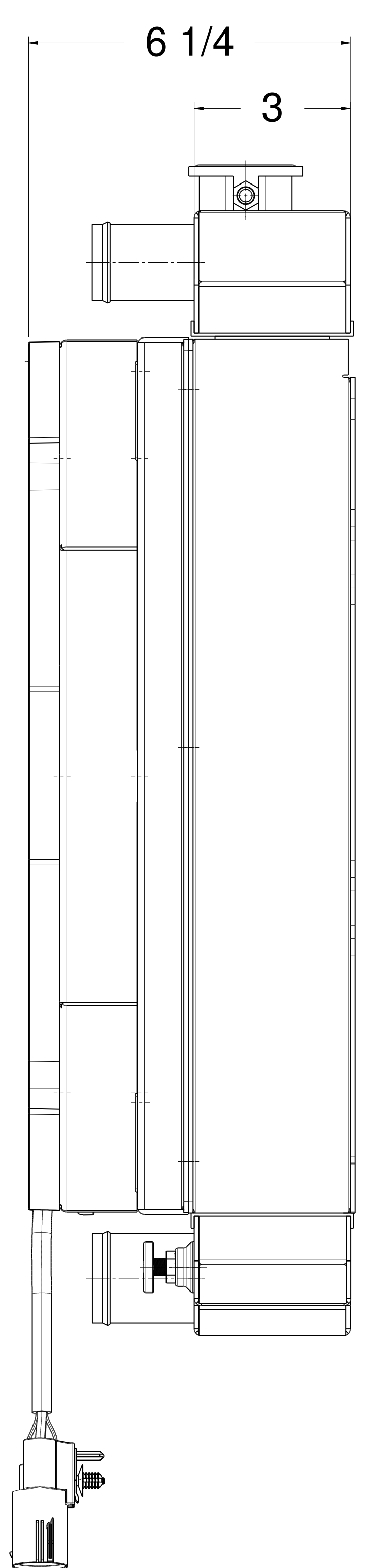
22 1/16



A

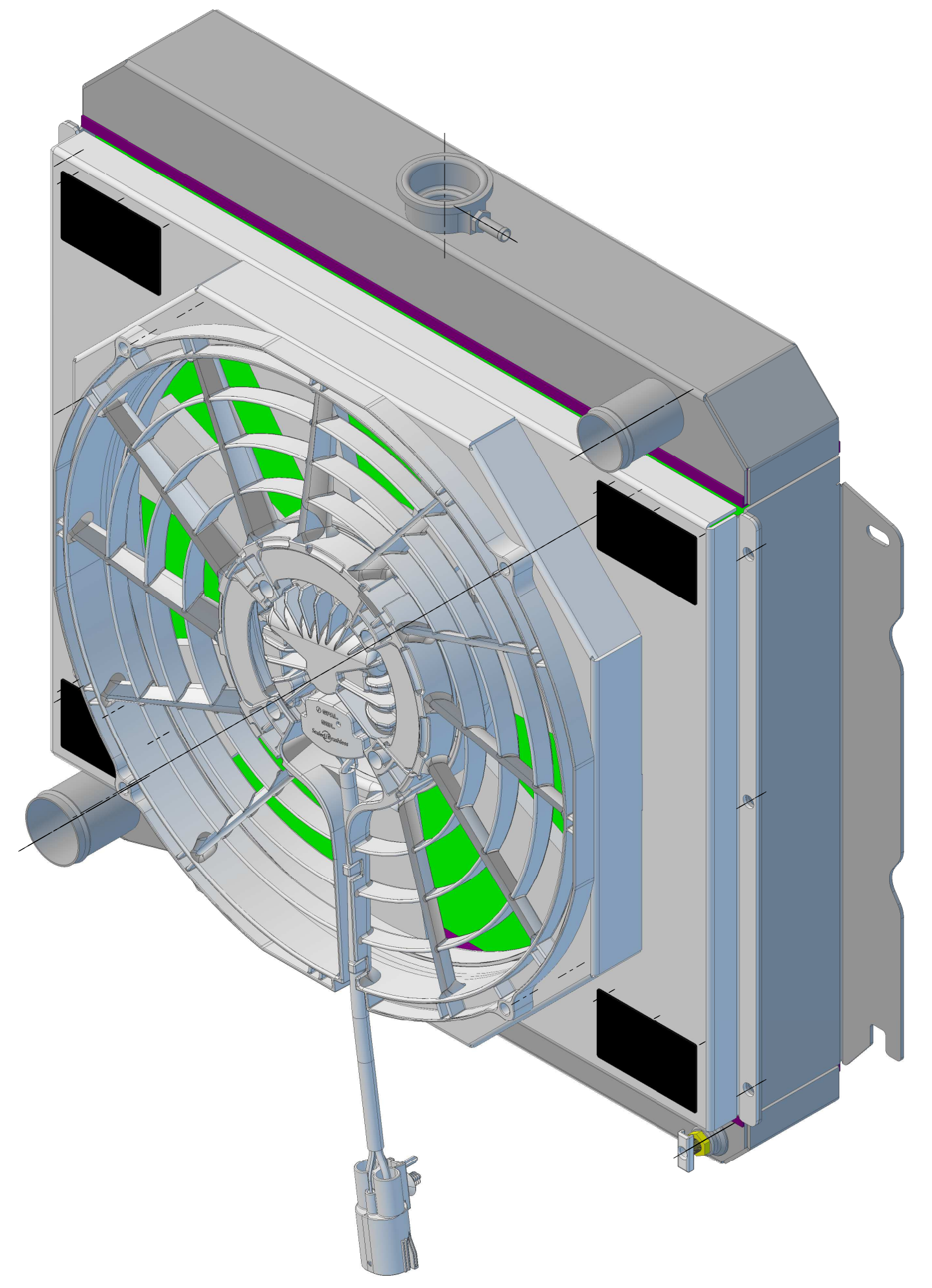
A

Ø1 3/4



6 1/4

3



DRAWN	DATE
CHECKED	
QA	
MFG	
APPROVED	

Title:
1636-208BL

SIZE	FSCM NO.	DWG NO.	REV
D			-

SCALE 1:1 SHEET

8

7

6

5

4

3

2

1