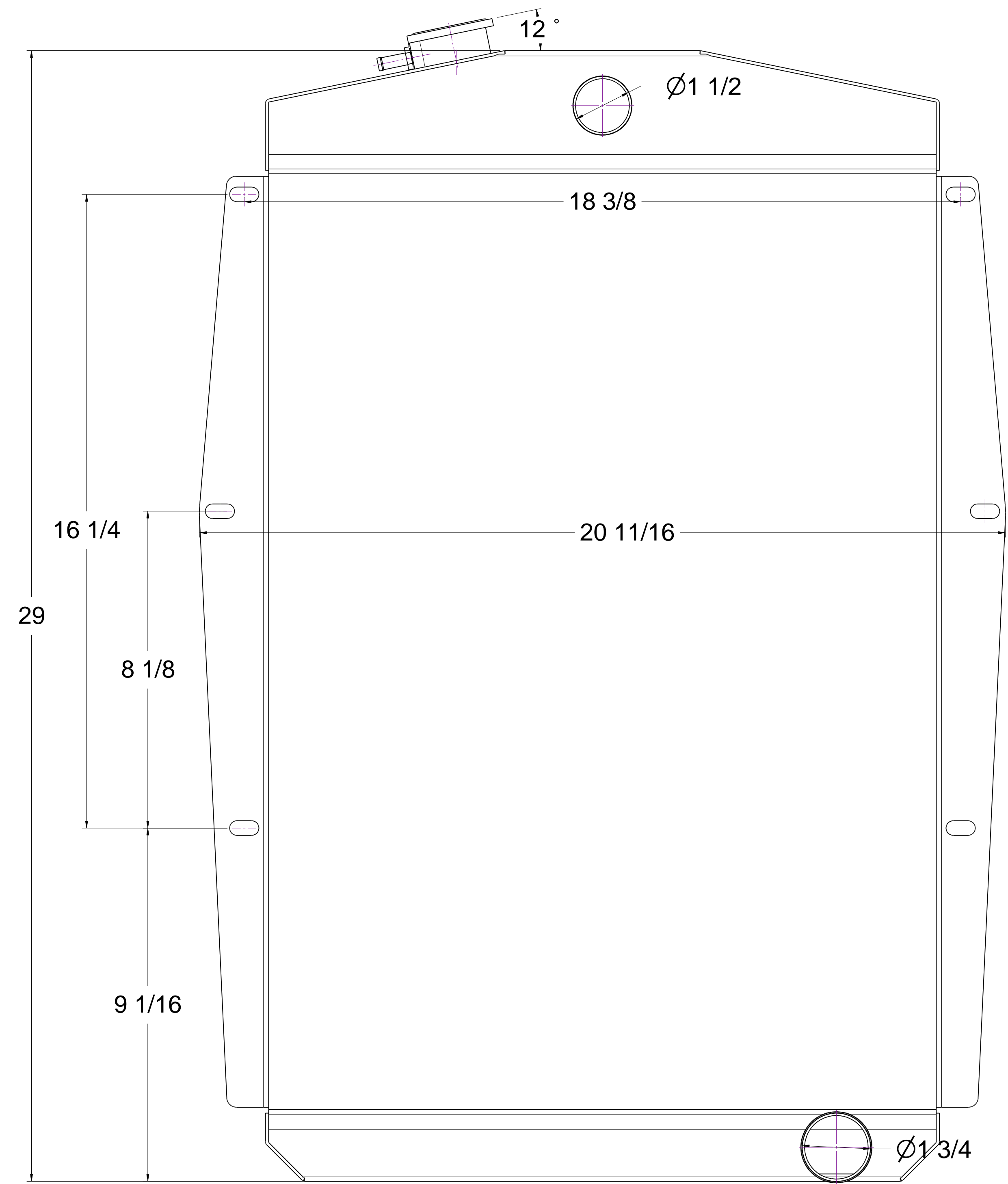
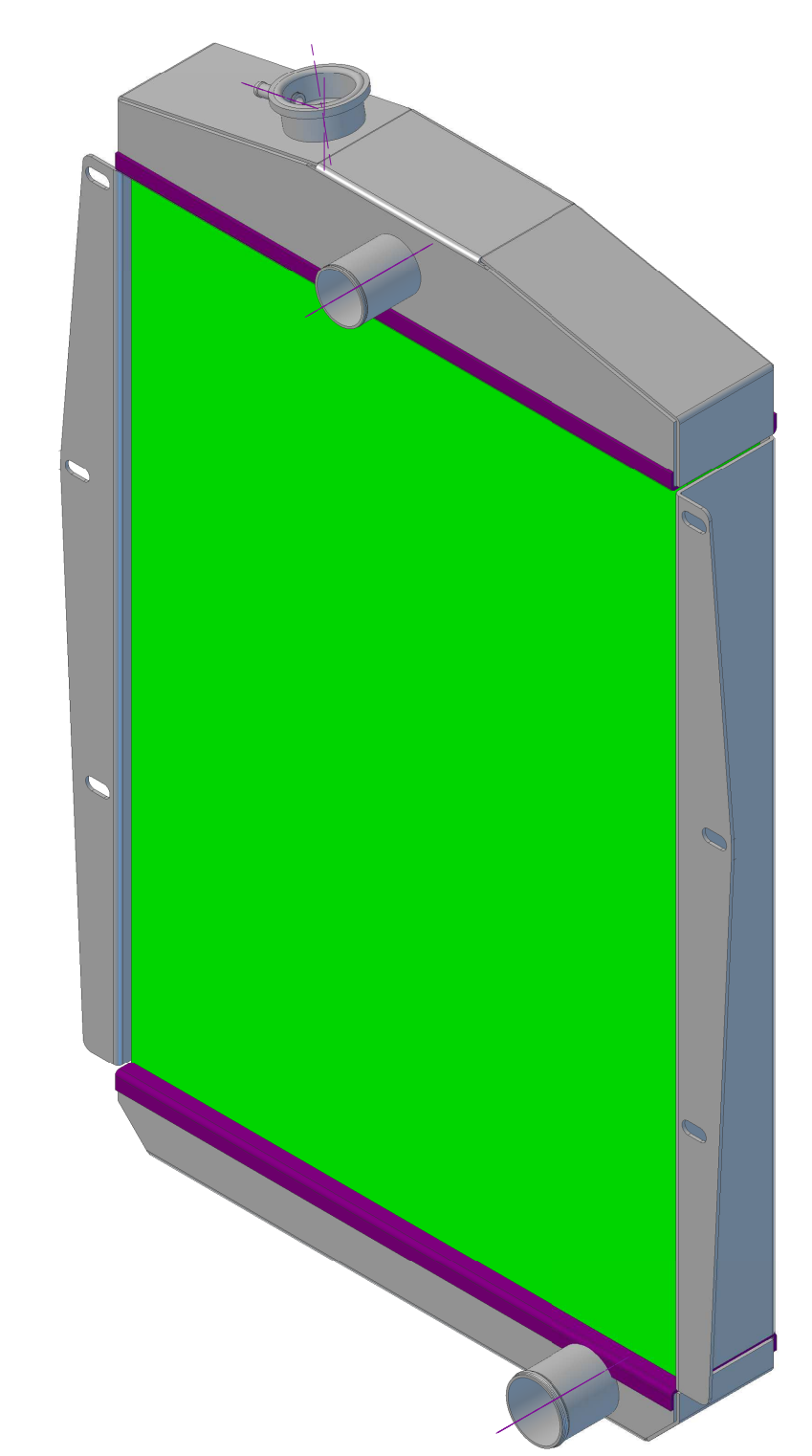
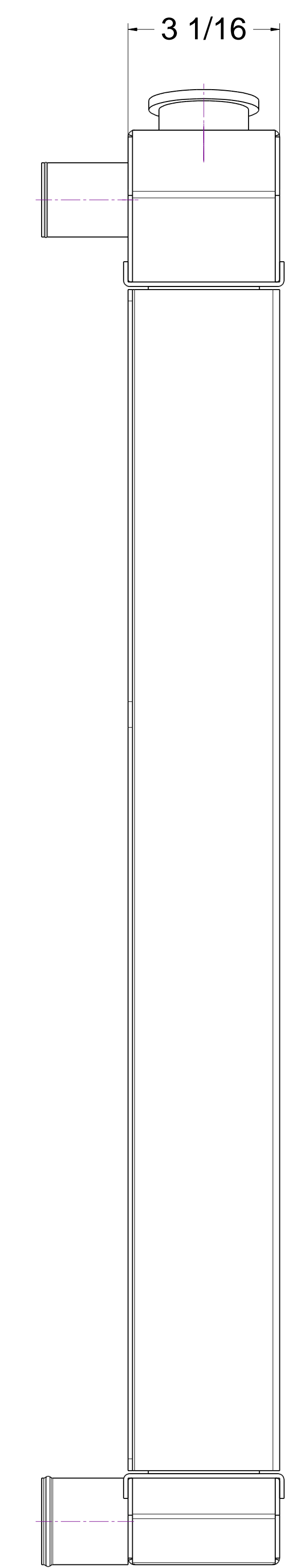
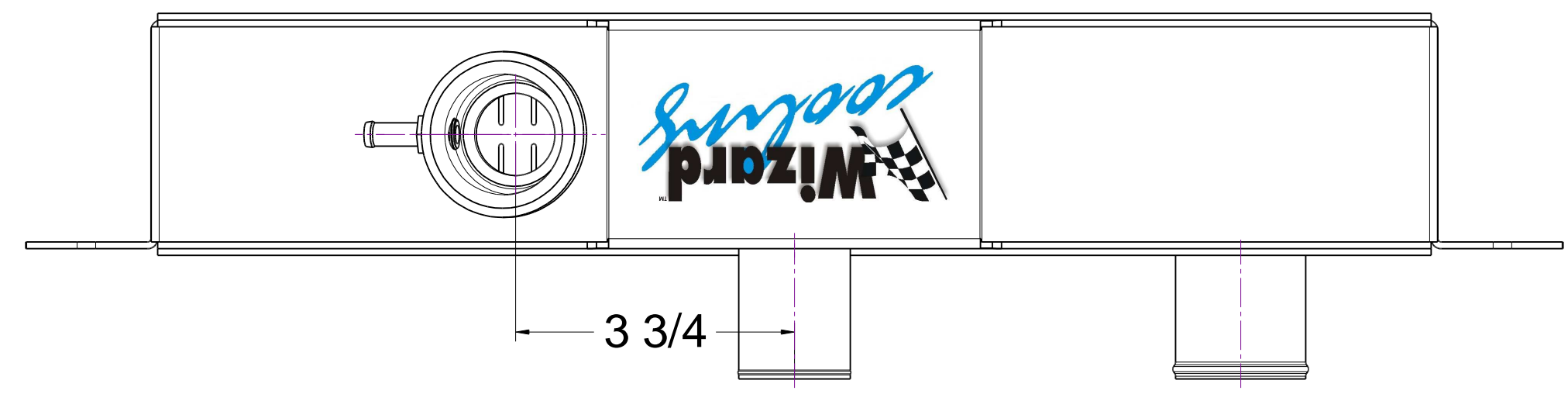



REVISIONS				
ZONE	REV	DESCRIPTION	DATE	APPROVED



 <p>Custom Aluminum Radiators</p>	DRAWN TJM	DATE 5/18/15	Title: 1937 Nash LaFayette	
	CHECKED		SIZE D	FSCM NO.
	QA		DWG NO.	REV -
	APPROVED		SCALE 1:1	SHEET