

8

7

6

5

4

3

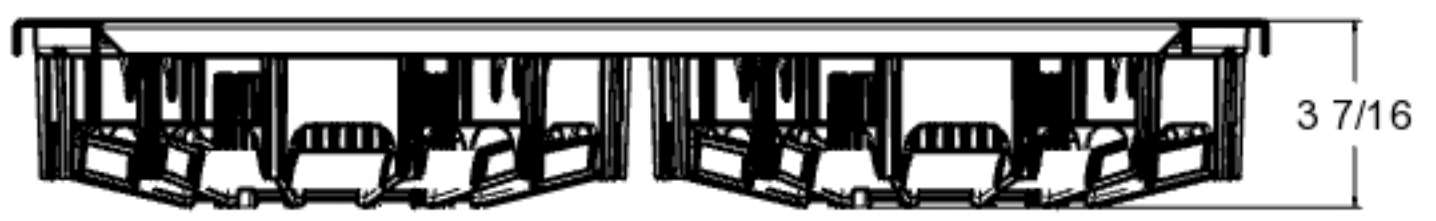
2

1

REVISIONS				
DATE	REV	DESCRIPTION	DATE	APPROVED

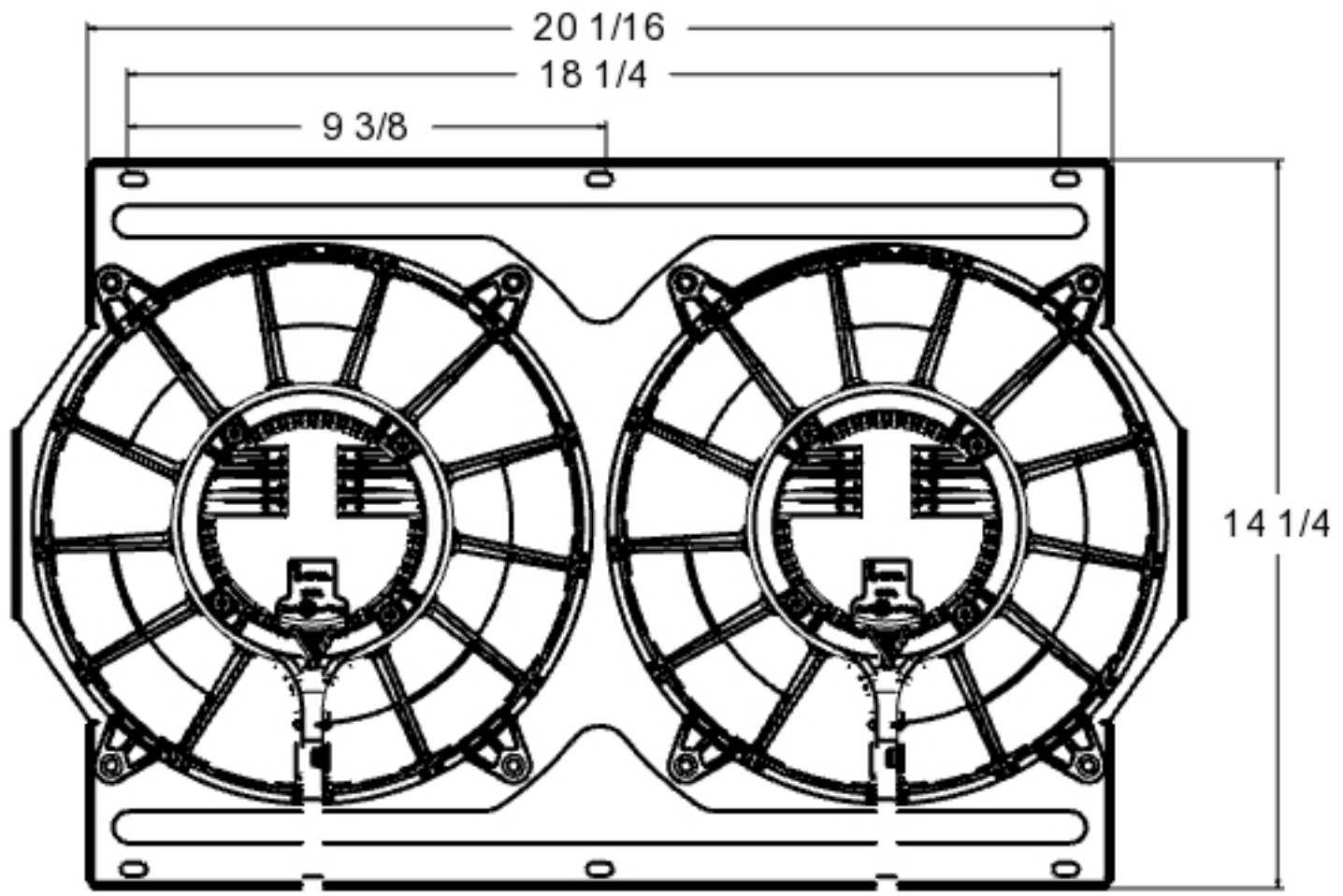
D

D



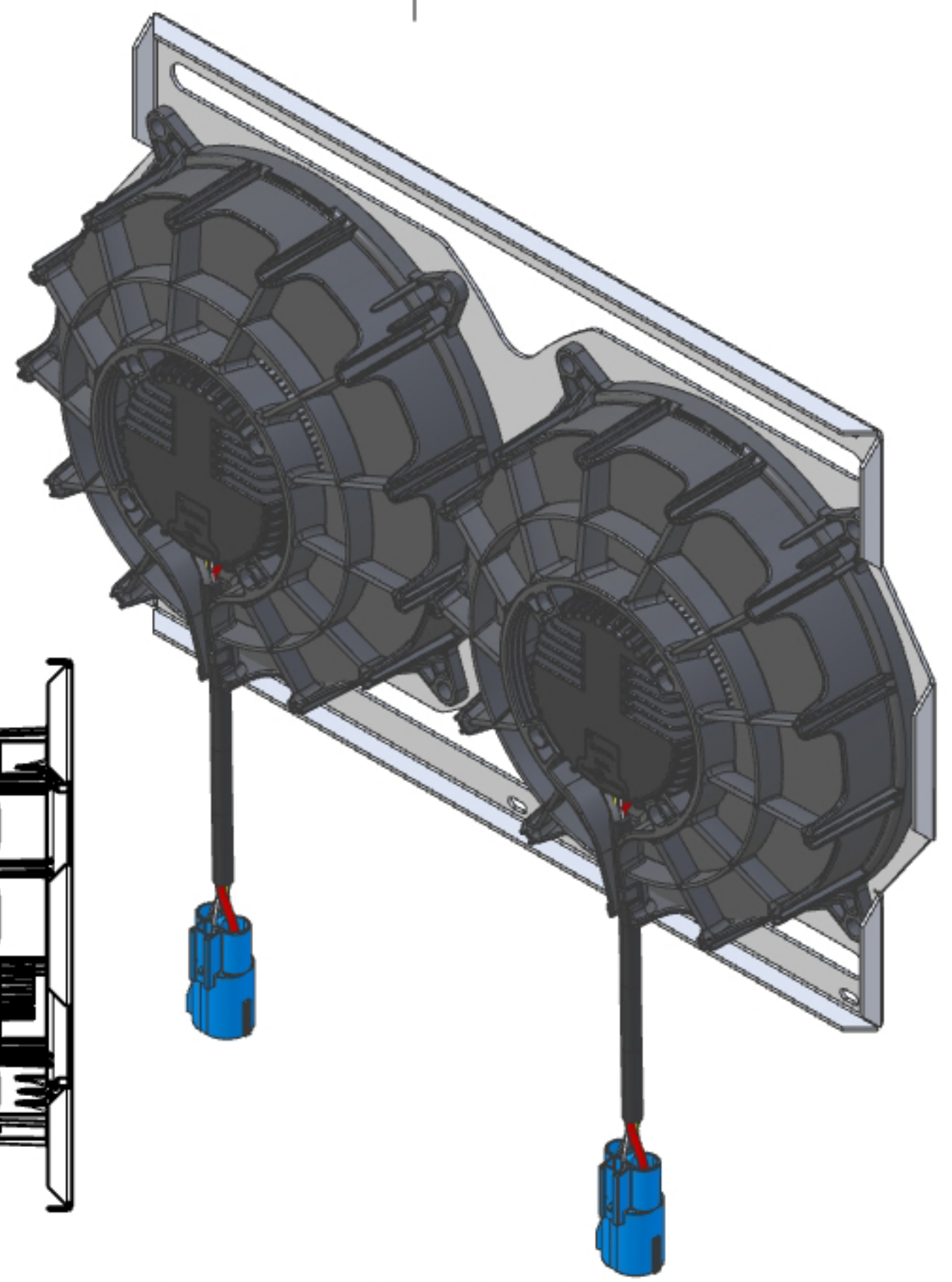
C

C



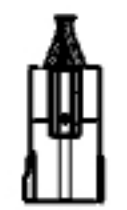
B

B



A

A



	DRWR	SH	DATE	3-28-22	Title:	2026-003BL
	DESIGN					
	QA				DATE	
	REV				SCALE	1:1
	APPROVED					

8

7

6

5

4

3

2

1