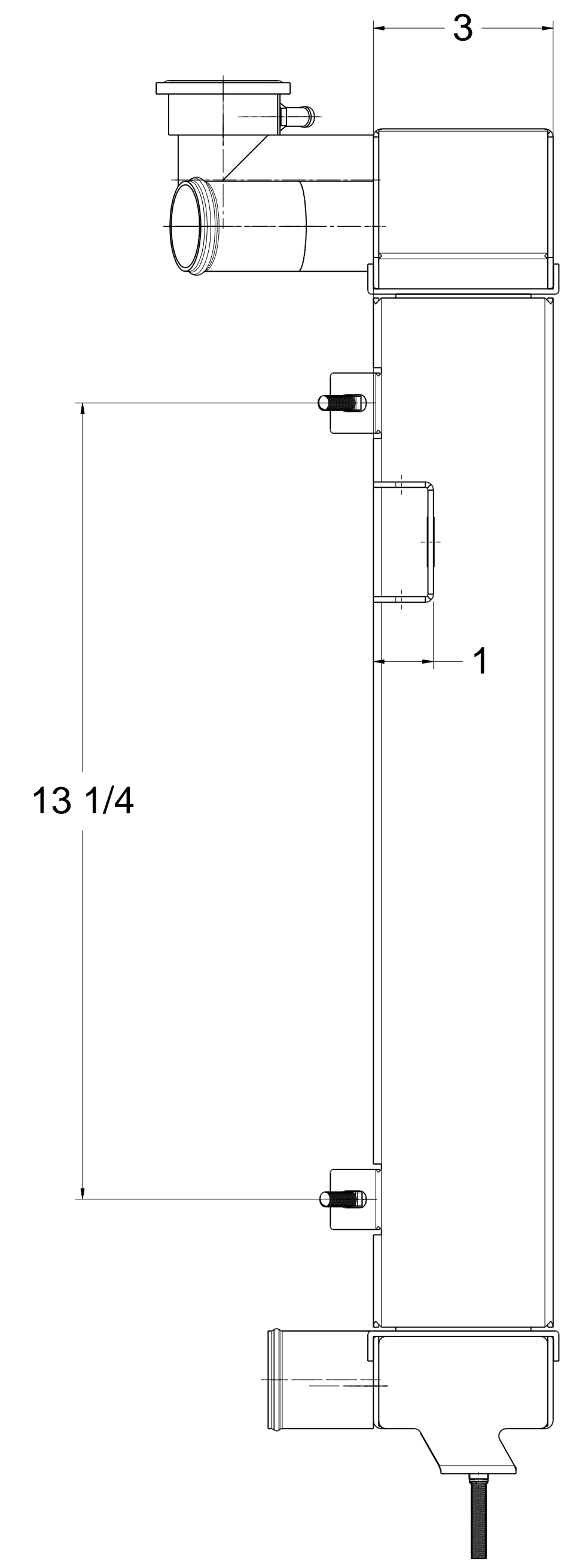
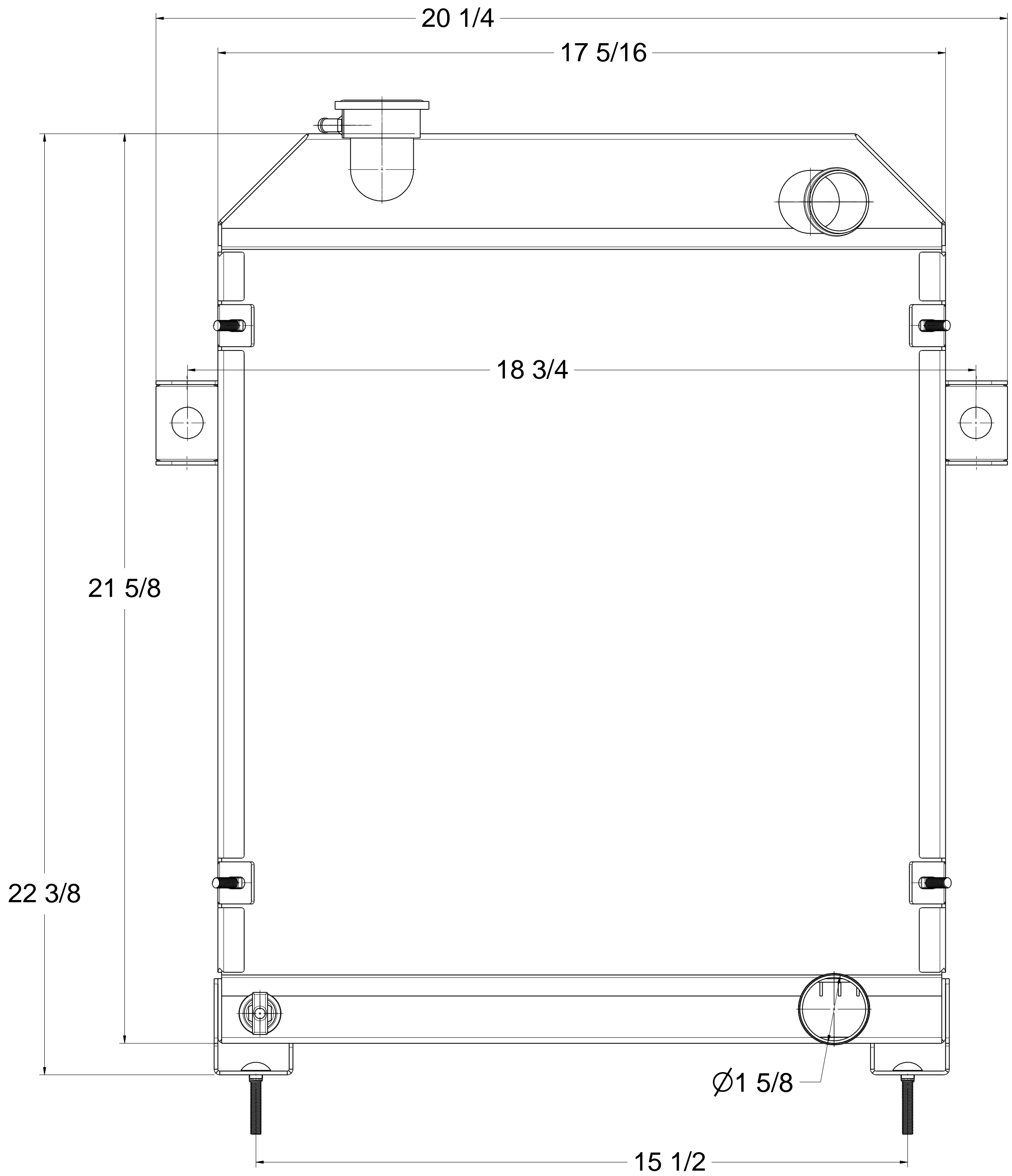
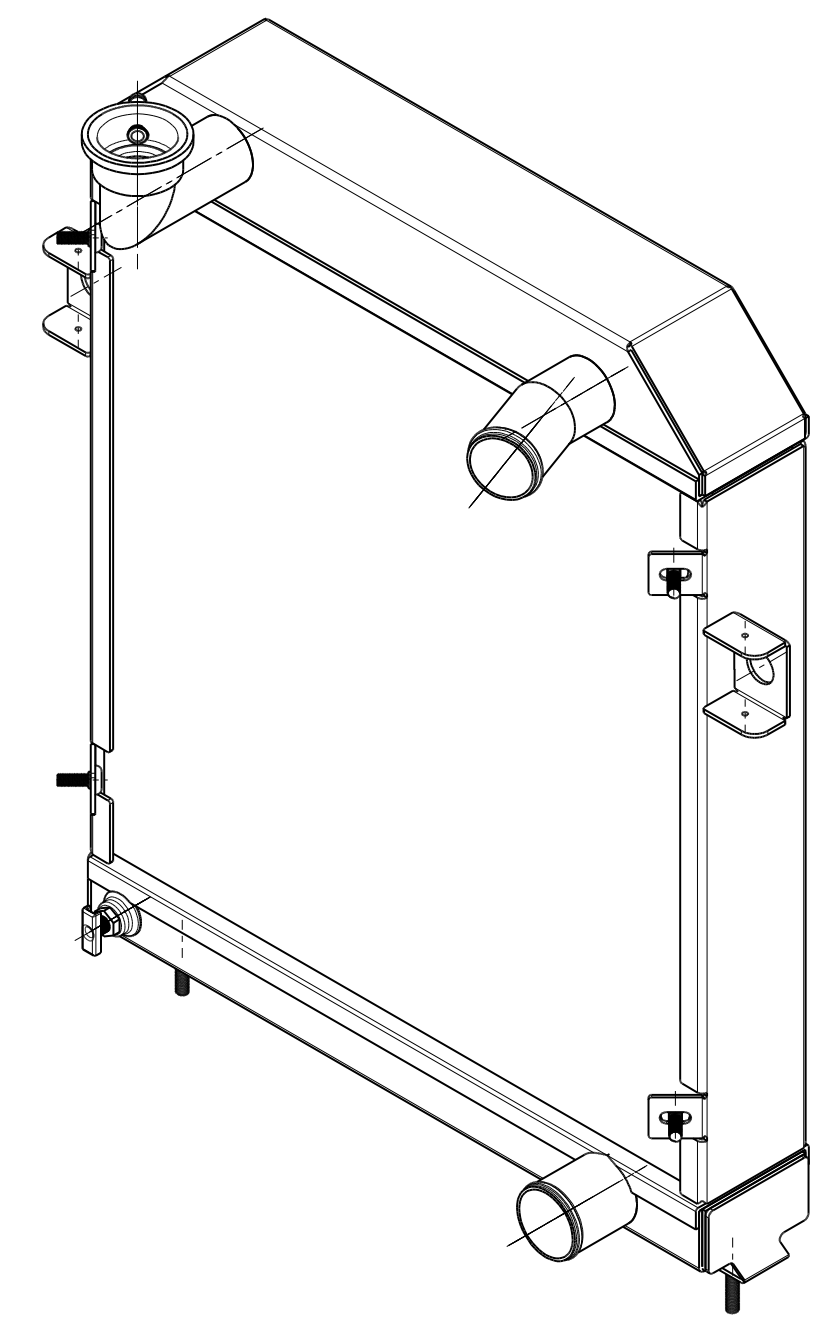
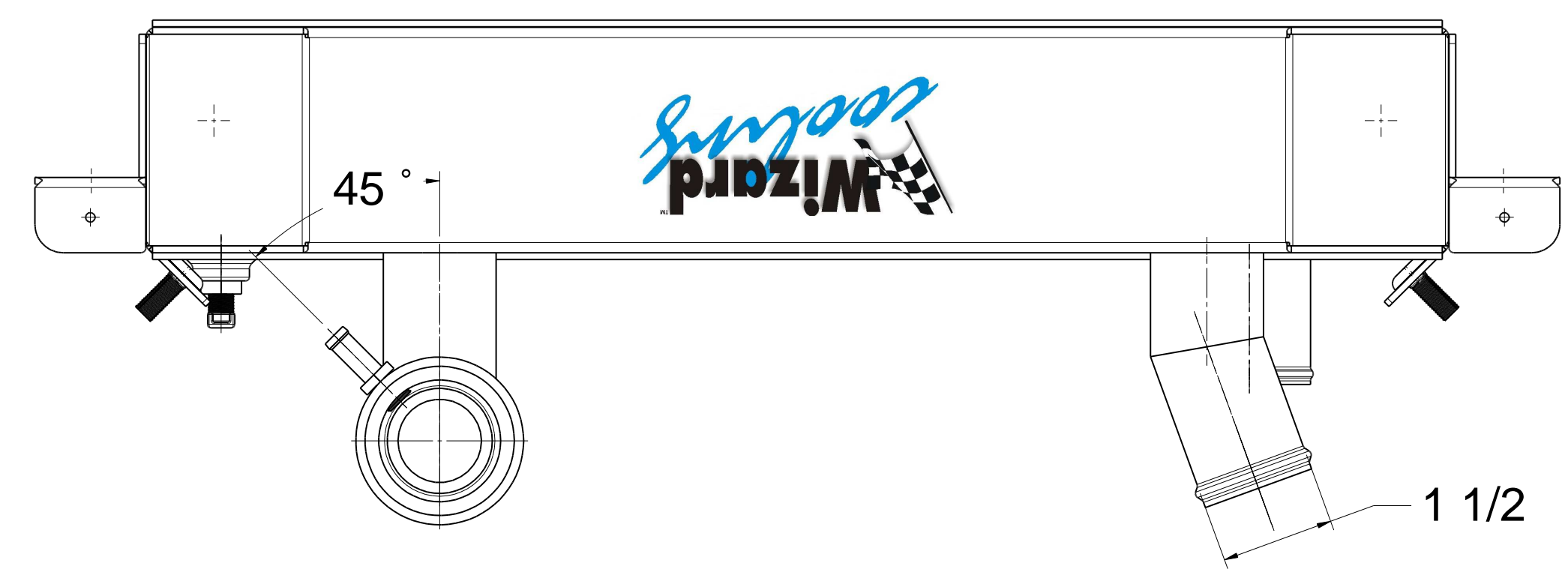


REVISIONS				
ZONE	REV	DESCRIPTION	DATE	APPROVED



DRAWN TED	DATE 10/29/2012	63-68 Jaguar Mark II		
CHECKED		Title: 99073-100 Assembly		
QA		SIZE D	FSCM NO.	DWG NO.
MFG		SCALE 1:1		REV -
APPROVED		SHEET		