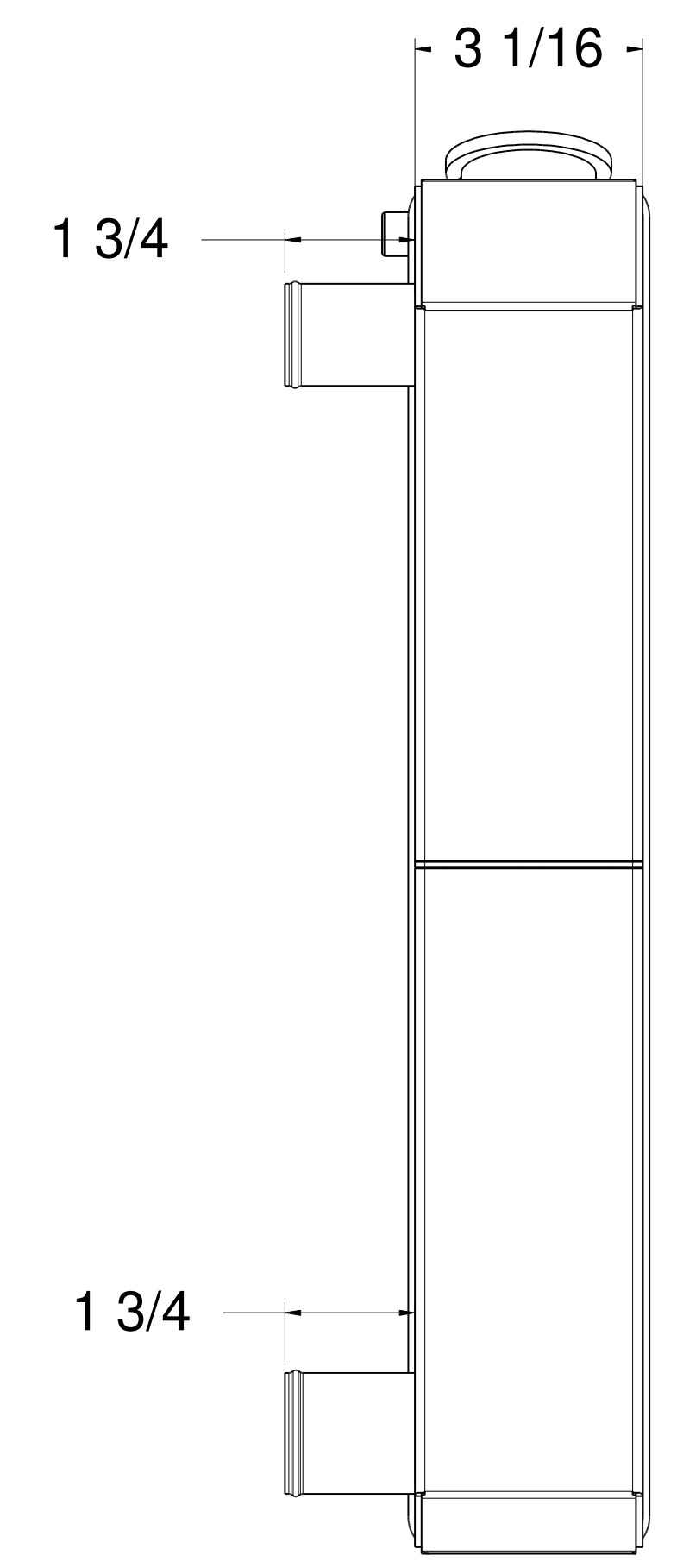
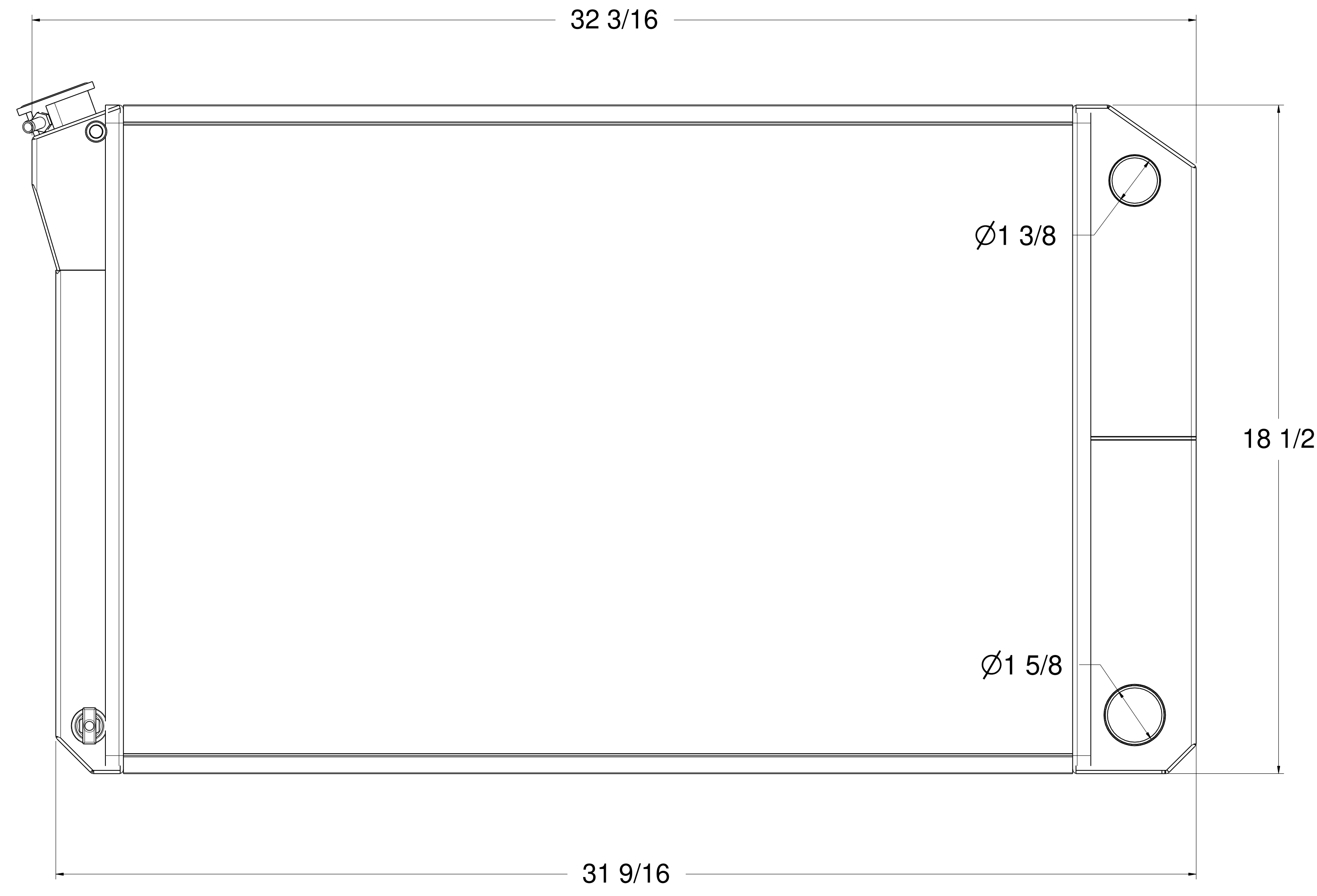
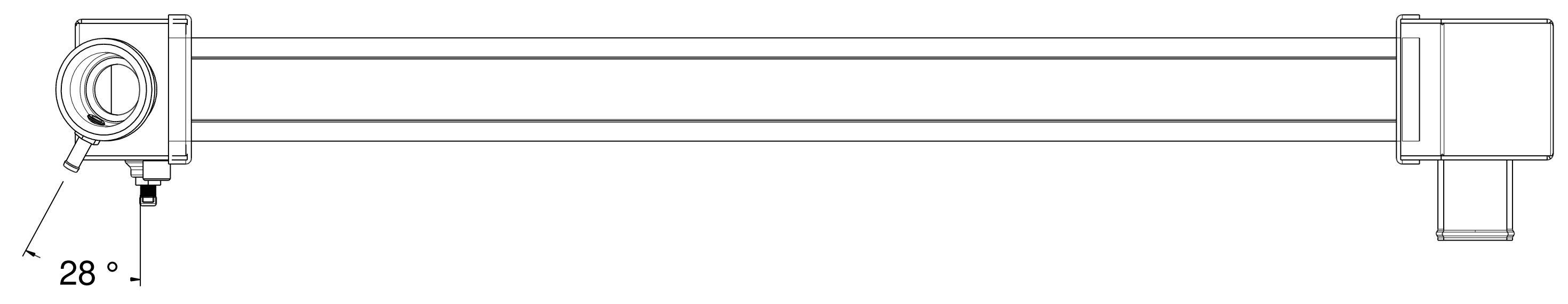
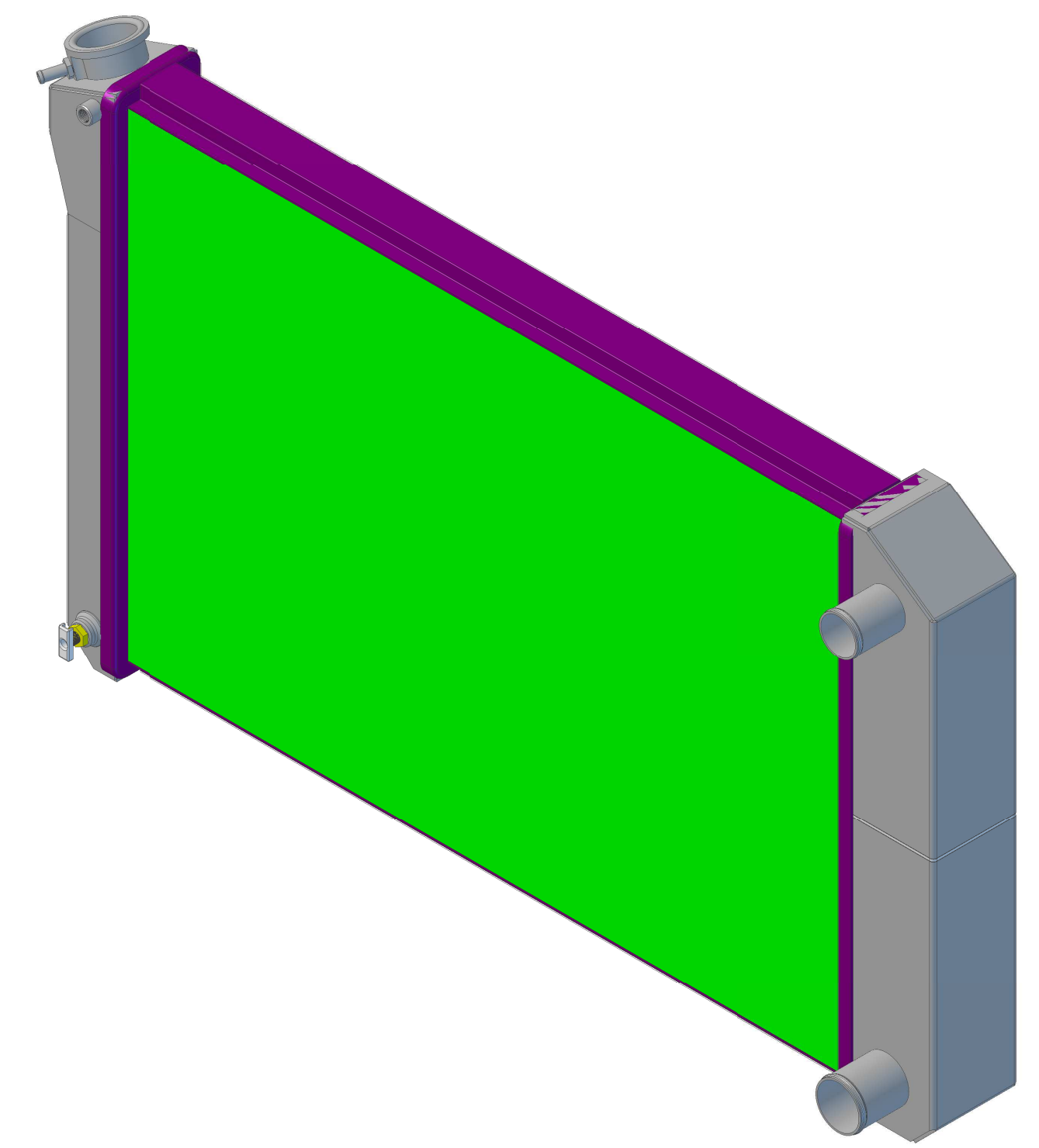


ZONE		REV	DESCRIPTION	DATE	APPROVED
REVISIONS					



DRAWN Matt	DATE	1970-79 GM CrossFlow			
CHECKED		Title: 562-100LS			
QA		SIZE D	FSCM NO.	DWG NO.	REV -
MFG		SCALE 1:1 SHEET			
APPROVED					