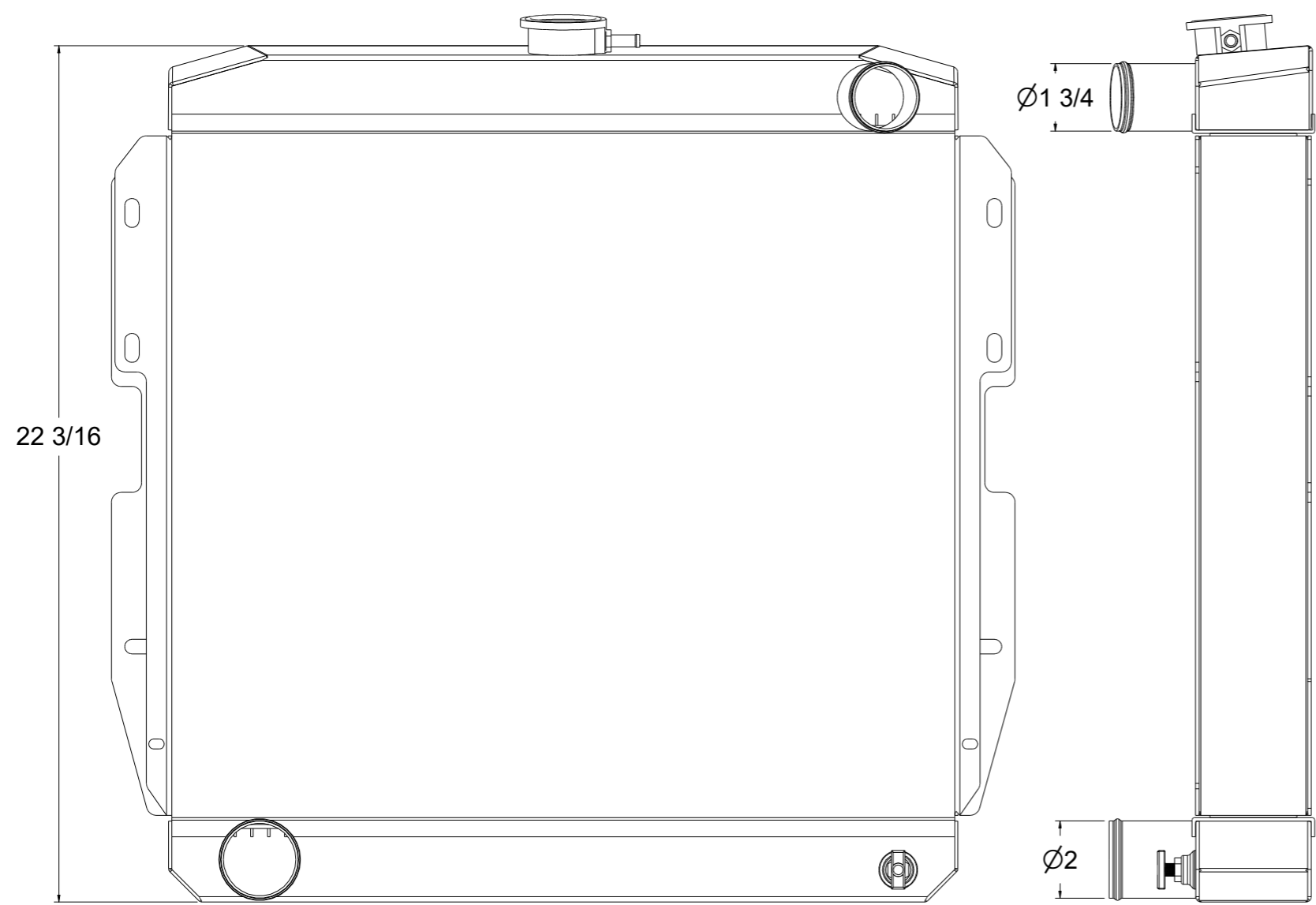
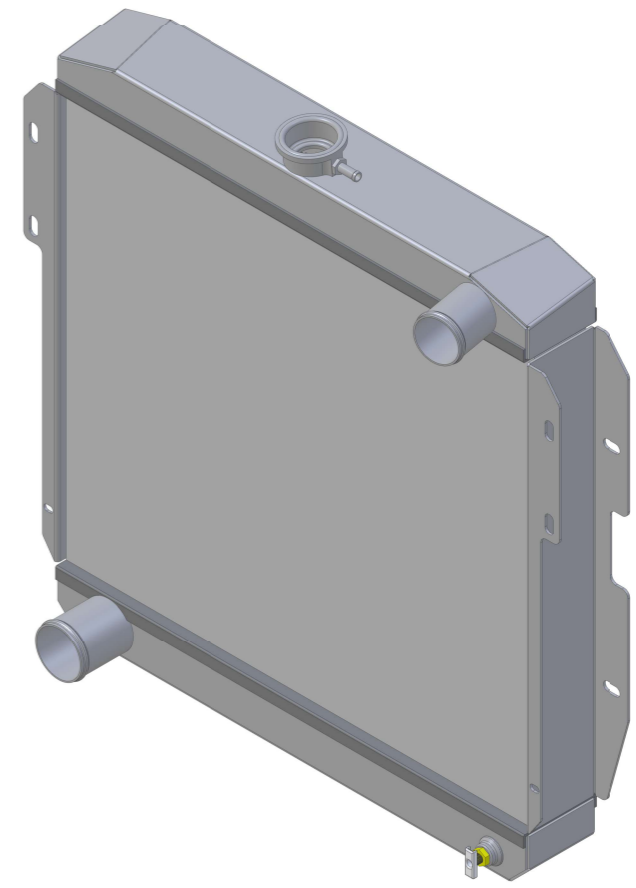
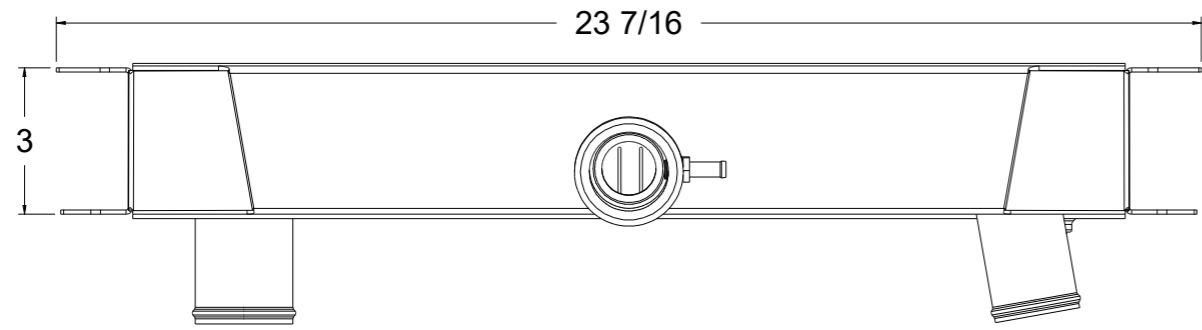


8 7 6 5 4 3 2 1



Assembly Part #	Core Thickness
1629-100	2.25" (2 Rows of 1" Tube)
1629-200	2.75" (2 Rows of 1.25" Tube)

  
 Custom Aluminum Radiators  
[www.wizardcooling.com](http://www.wizardcooling.com)

Contact Us:  
716-655-6760

Part Number  
**1629**  
 Manual Transmission

8 7 6 5 4 3 2 1