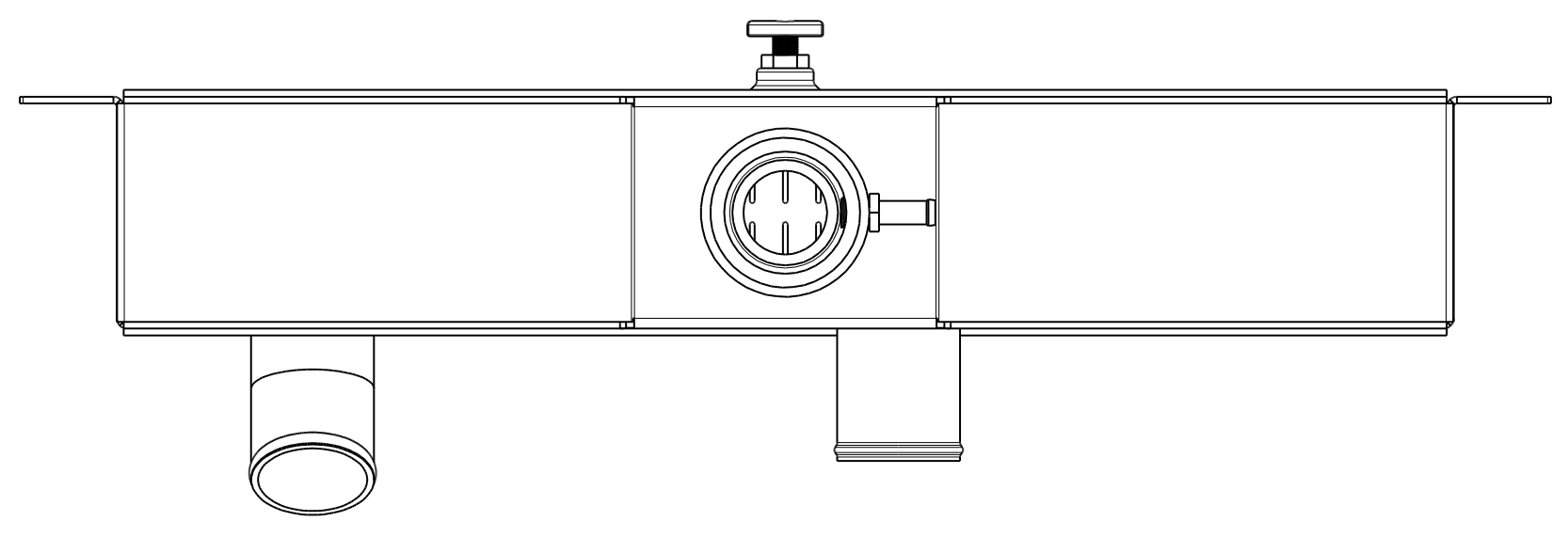


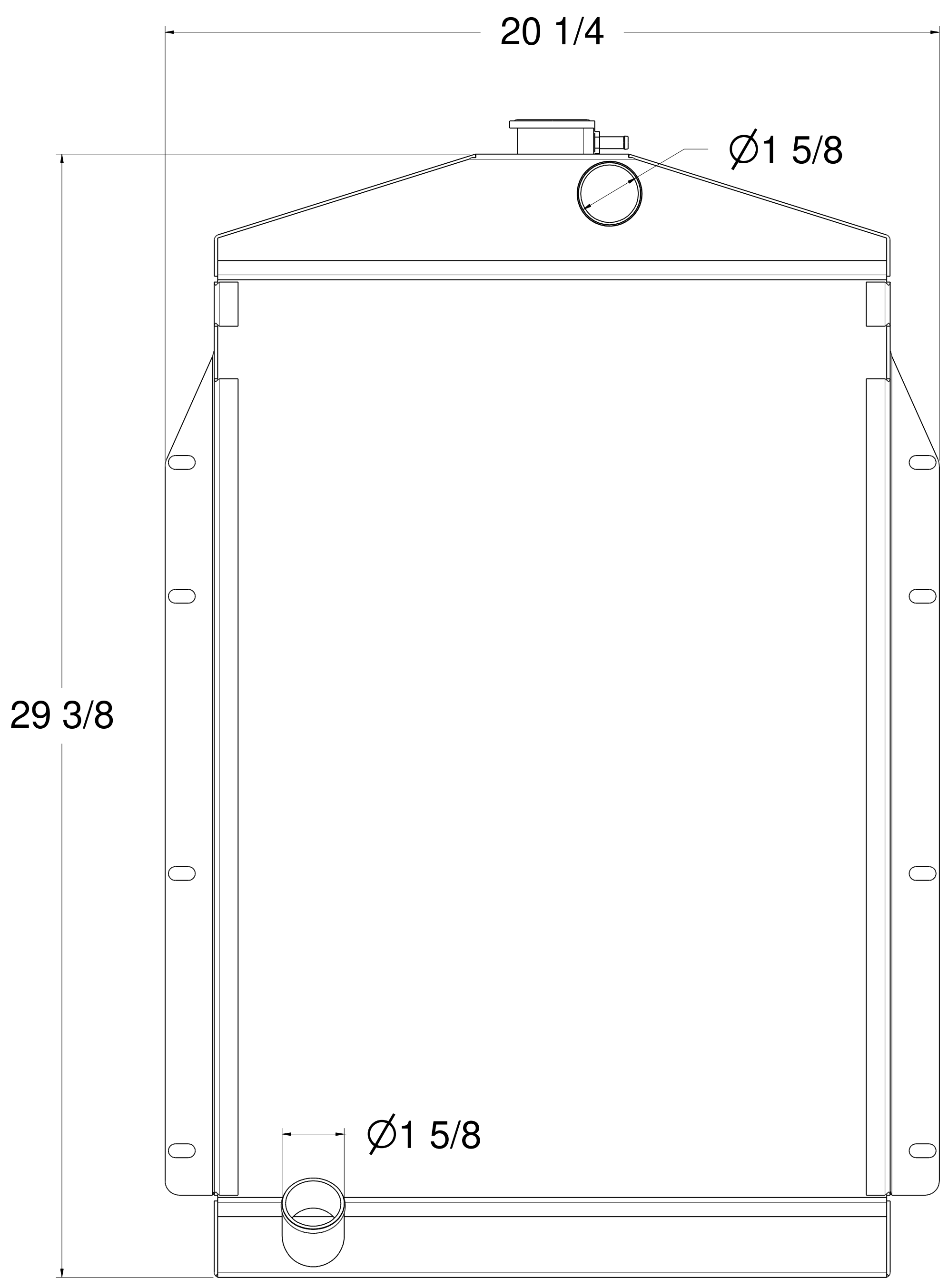
ZONE		REV	DESCRIPTION	DATE	APPROVED
REVISIONS					

D



D

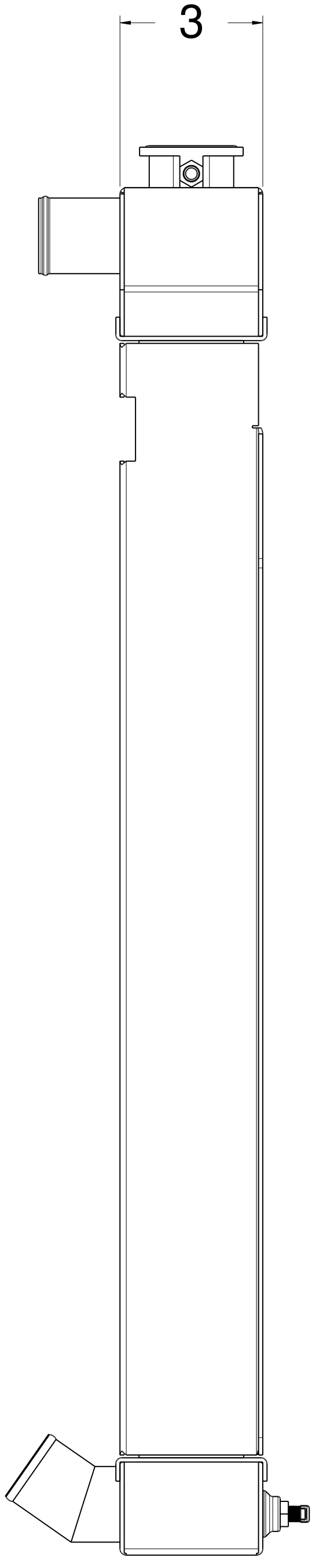
C



C

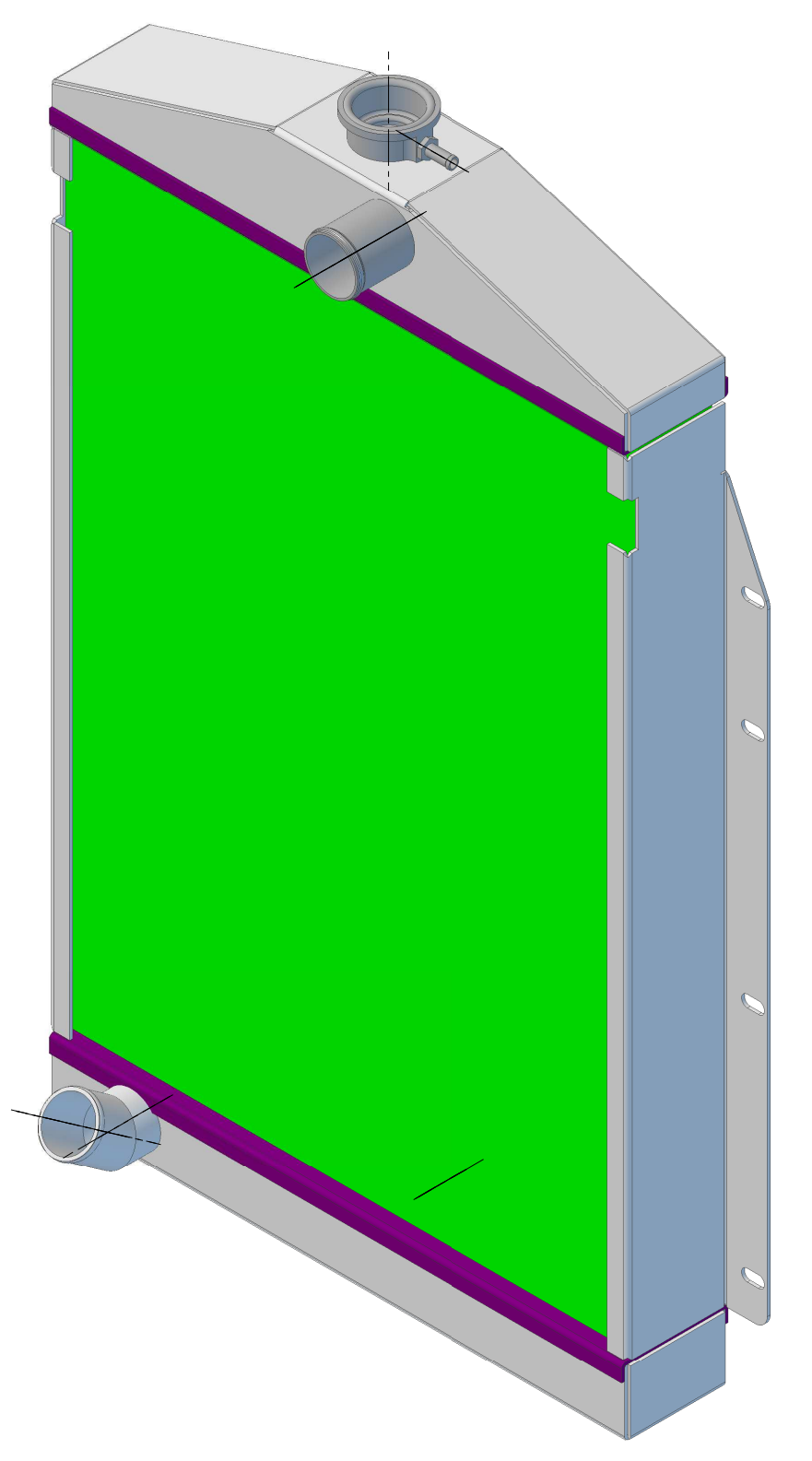
B

A



B

A



	DRAWN TJM	DATE 10/4/16	1941 Buick Model 51		
	CHECKED		Title: 10500-100		
	QA		SIZE D	FSCM NO.	DWG NO.
	MFG		SCALE 1:1	SHEET	
	APPROVED				REV -

8

7

6

5

4

3

2

1