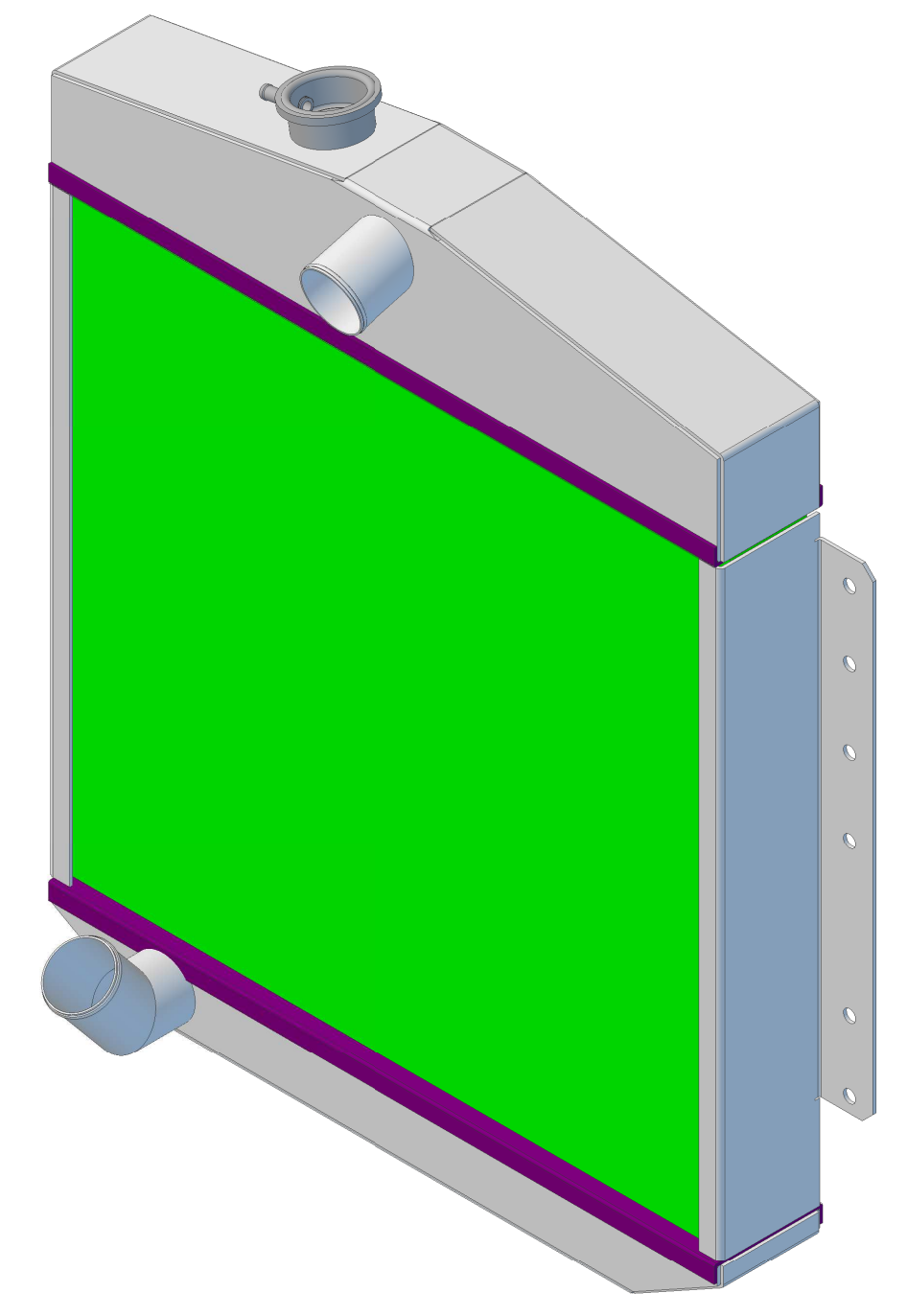
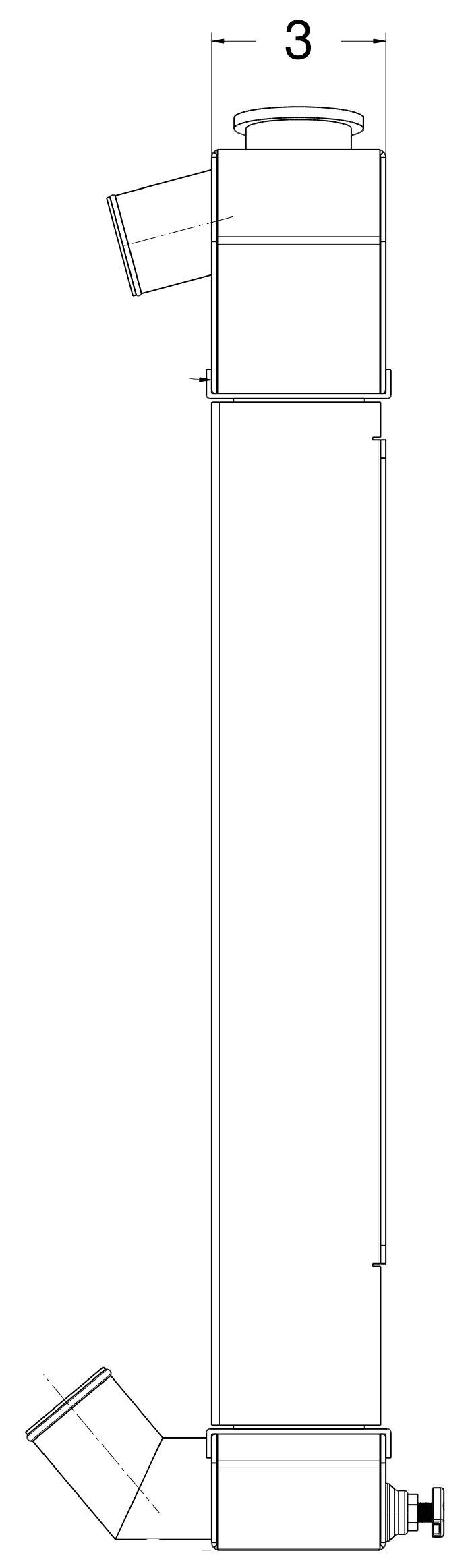
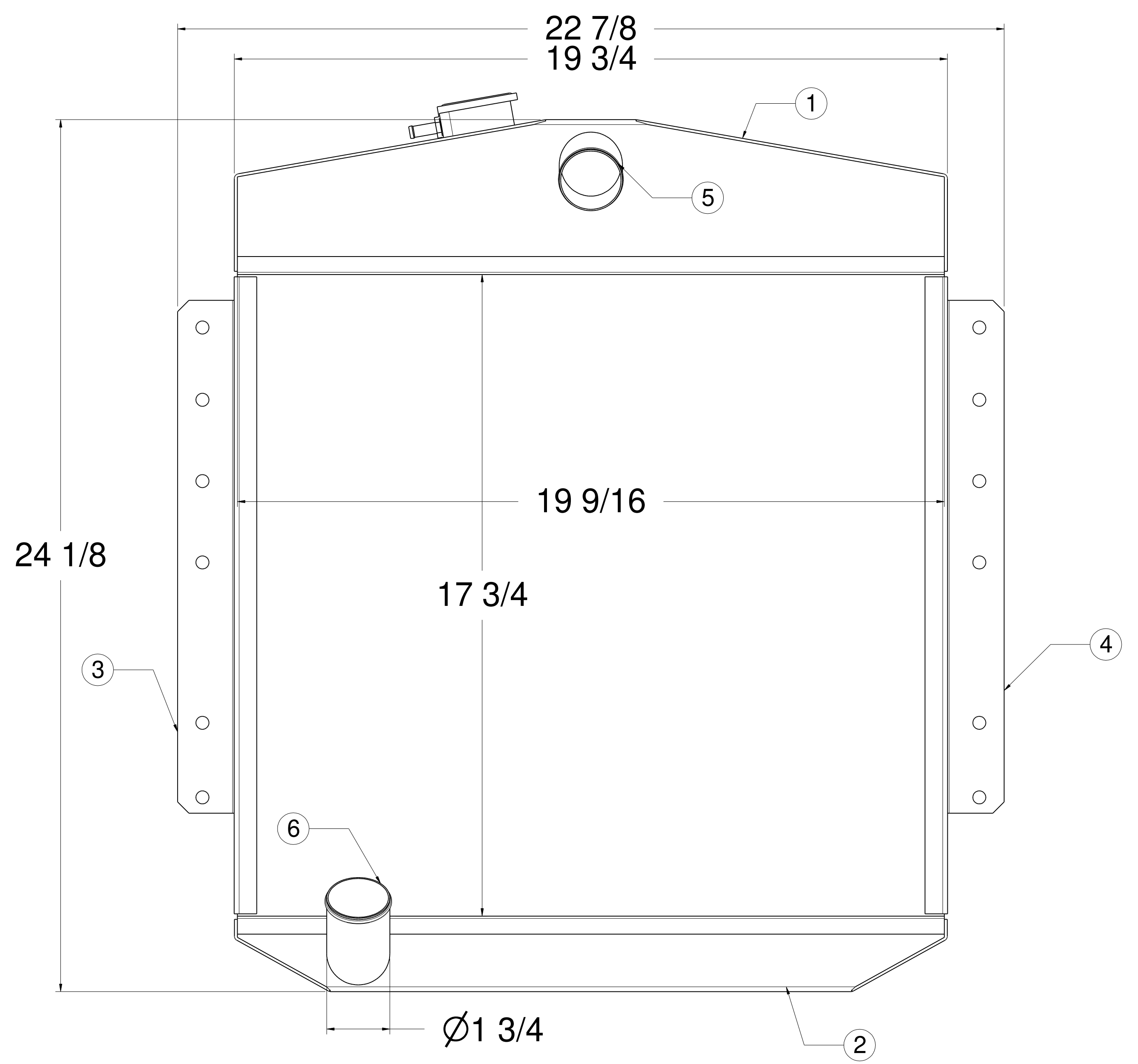
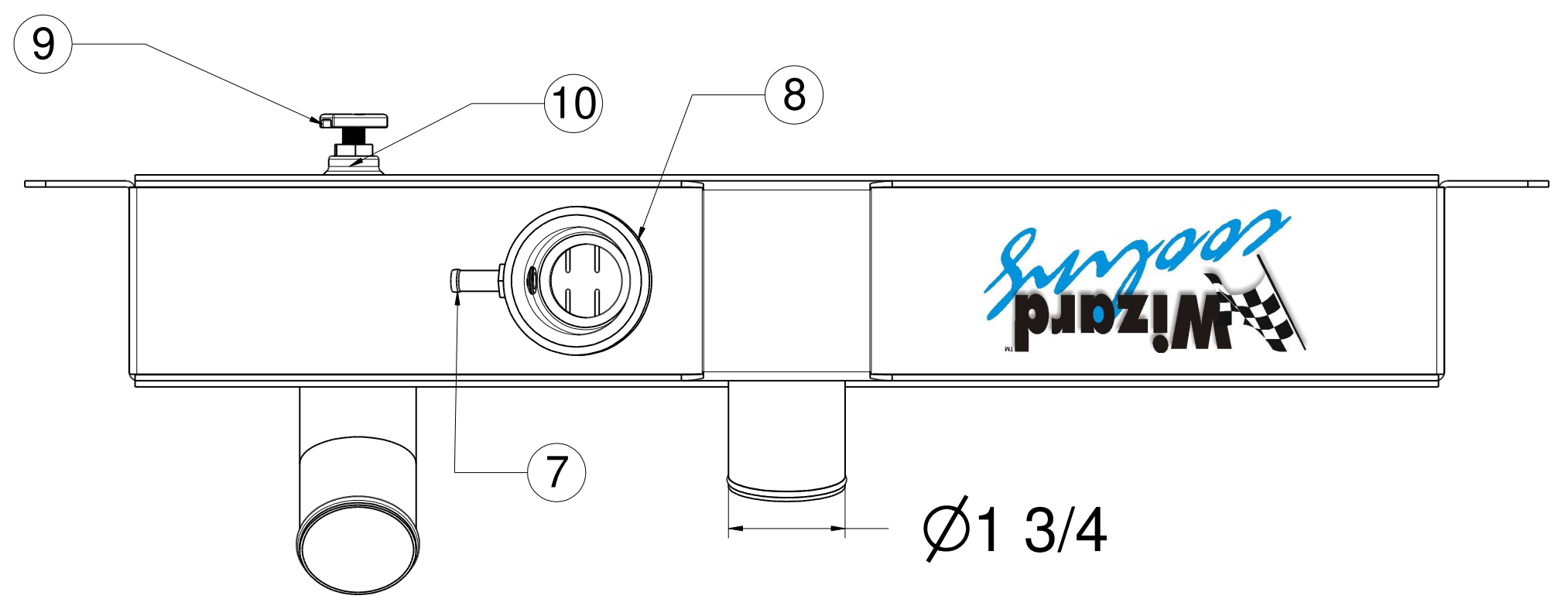


| ZONE |  | REV | DESCRIPTION | DATE | APPROVED |
|------|--|-----|-------------|------|----------|
|      |  |     |             |      |          |



|          |         |          |      |         |                                      |       |   |
|----------|---------|----------|------|---------|--------------------------------------|-------|---|
|          | DRAWN   | JAW      | DATE | 8/11/20 | <b>57 Pontiac Assembly</b><br>Title: |       |   |
|          | CHECKED |          |      |         |                                      |       |   |
|          | QA      |          |      |         | <b>27801-100</b>                     |       |   |
|          | MFG     |          |      |         |                                      |       |   |
| APPROVED |         |          |      |         |                                      |       |   |
| SIZE     | D       | FSCM NO. |      | DWG NO. |                                      | REV   | - |
| SCALE    | 1:1     |          |      |         |                                      | SHEET |   |