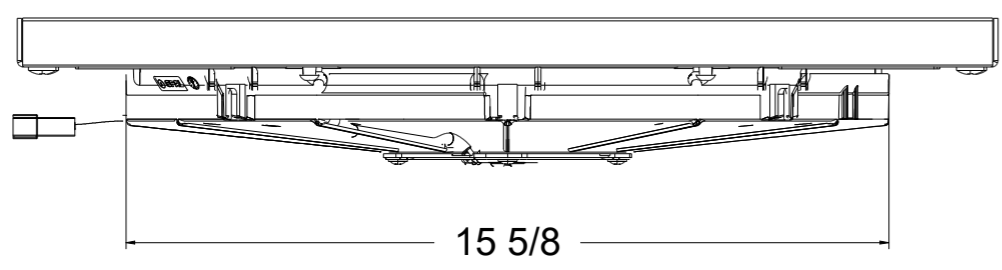
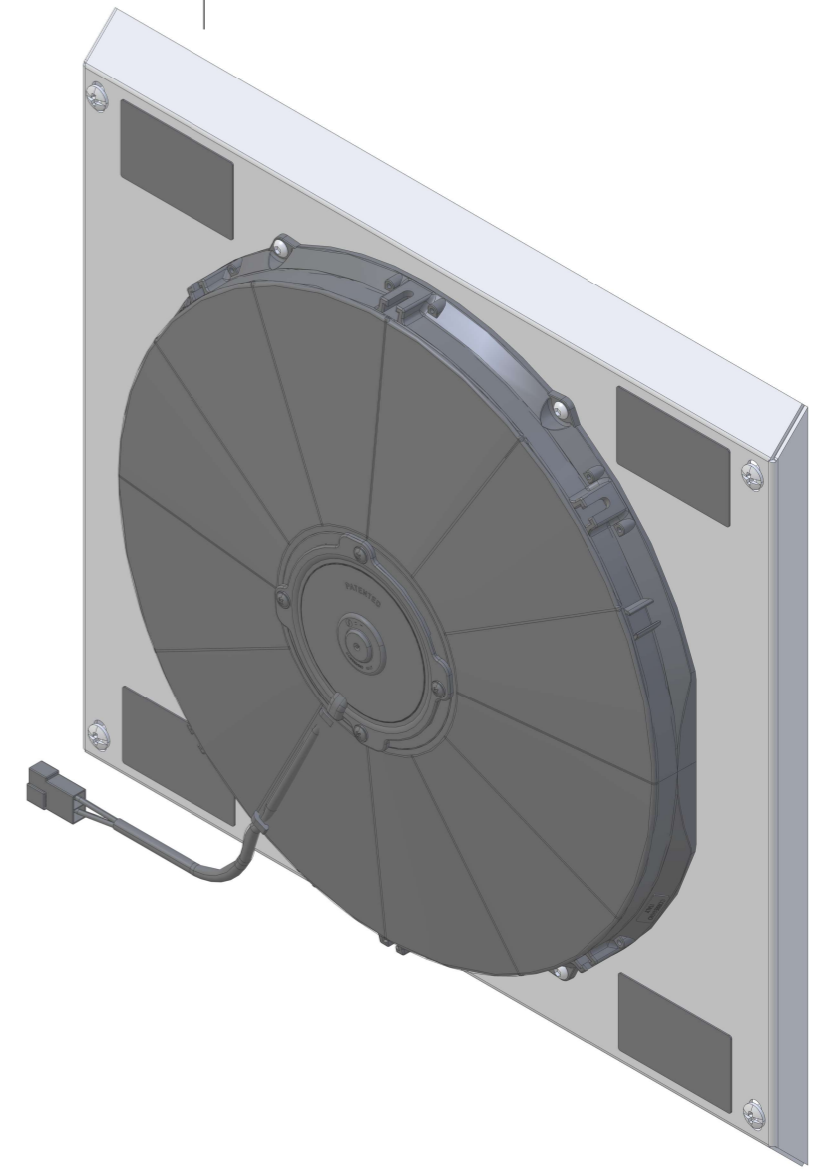


8 7 6 5 4 3 2 1

REVISIONS				
ZONE	REV	DESCRIPTION	DATE	APPROVED

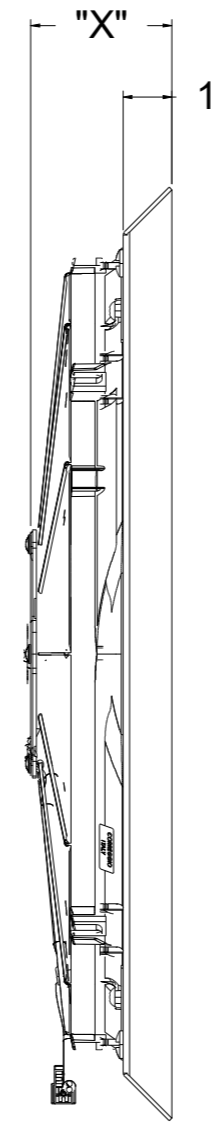
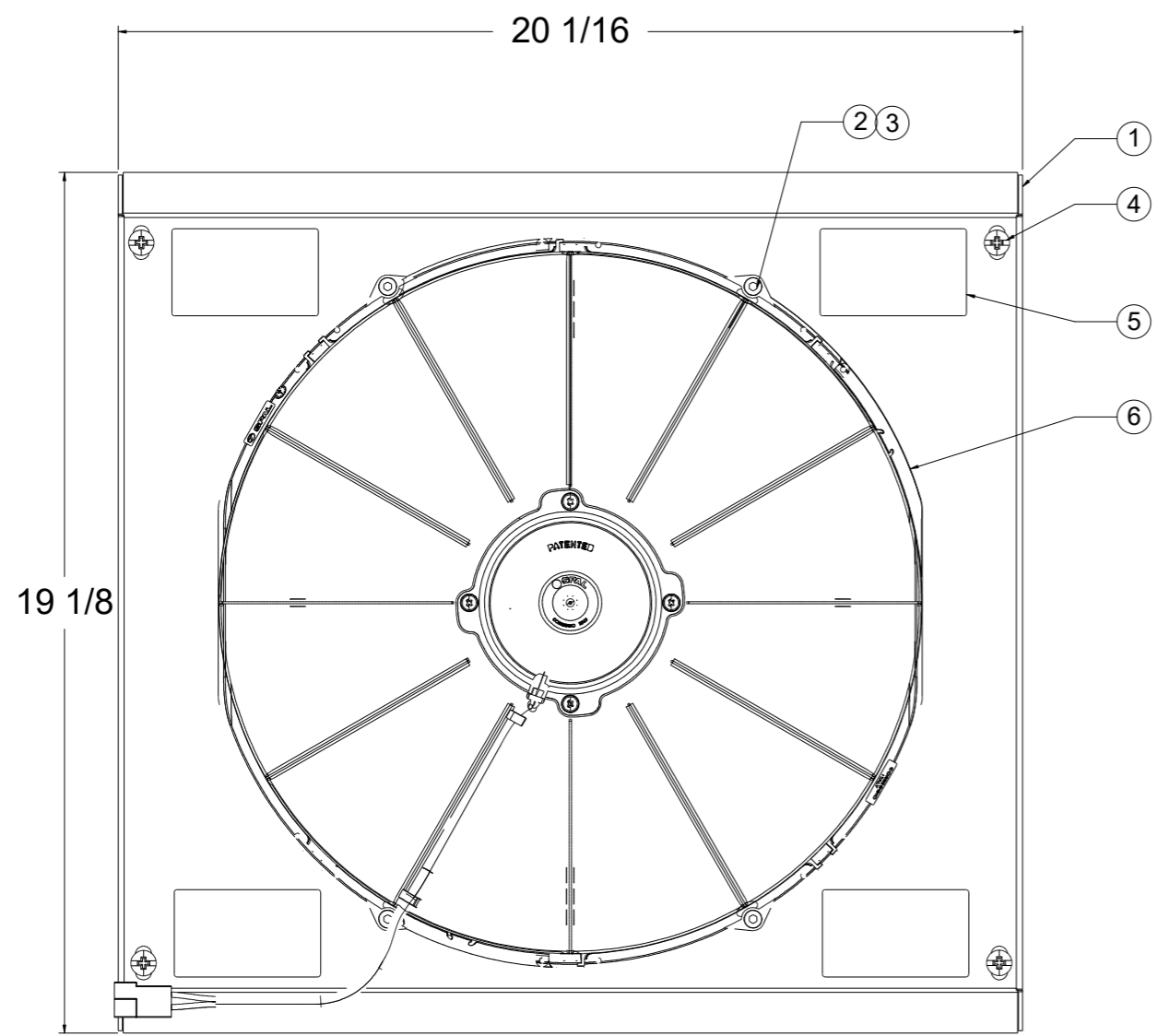


SKU #	Fan Type	Fan Part #	Dimension "X"
1-583-008CFCLP	Low Profile	7-30100400	3"
1-583-008CFCMD	Medium Duty	7-30101516	3.5"
1-583-008CFCHP	High Performance	7-30102120	4.5"



D
C
B
A

D
C
B
A



Item Number	Quantity	Part Number	Part Name	Revision	Comment
1	1	4-03747	Shroud		
2	4	3-BSC-M6 x 10-SS	BHS Cap Screw (M6 x 1 x 10)		
3	4	3-PEMCLS-M6-1-SS	Self Clinching Nut (M6 x 1)		
4	4	3-99637A244	Binding Barrel (1/4-20 x .75")		
5	4	7-30130012	Fan Flap		
6	1	See Table	16" Brush Style Fan		



DRAWN SH	DATE 11-30-23	16" Brushed Fan Shroud (Cross Flow Mount)		
CHECKED		Title: 1-583-008CFC		
QA		SIZE D	FSCM NO.	DIWG NO.
APPROVED		SCALE 1:1		REV -
				SHEET

8 7 6 5 4 3 2 1