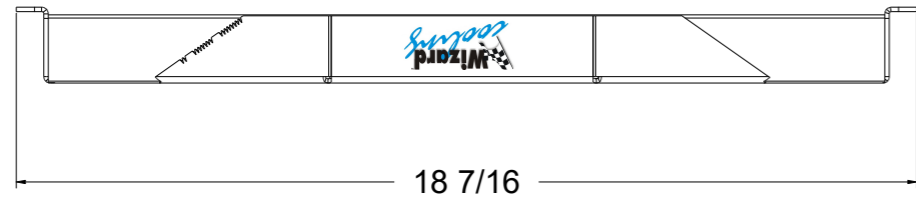


8 7 6 5 4 3 2 1

D

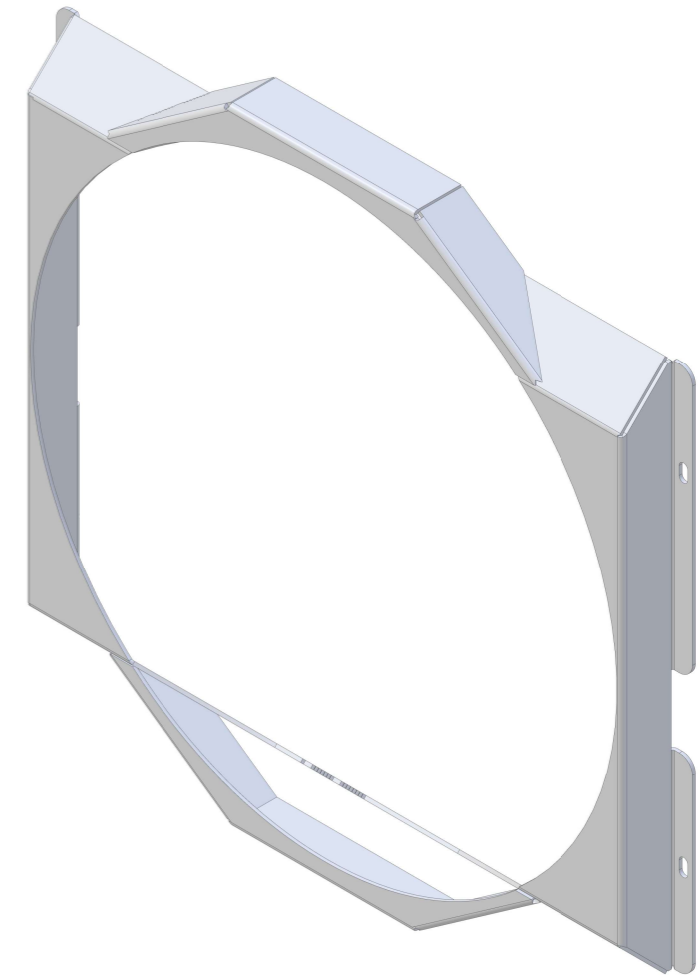
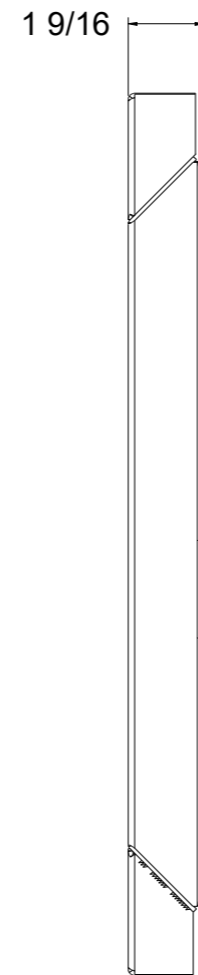
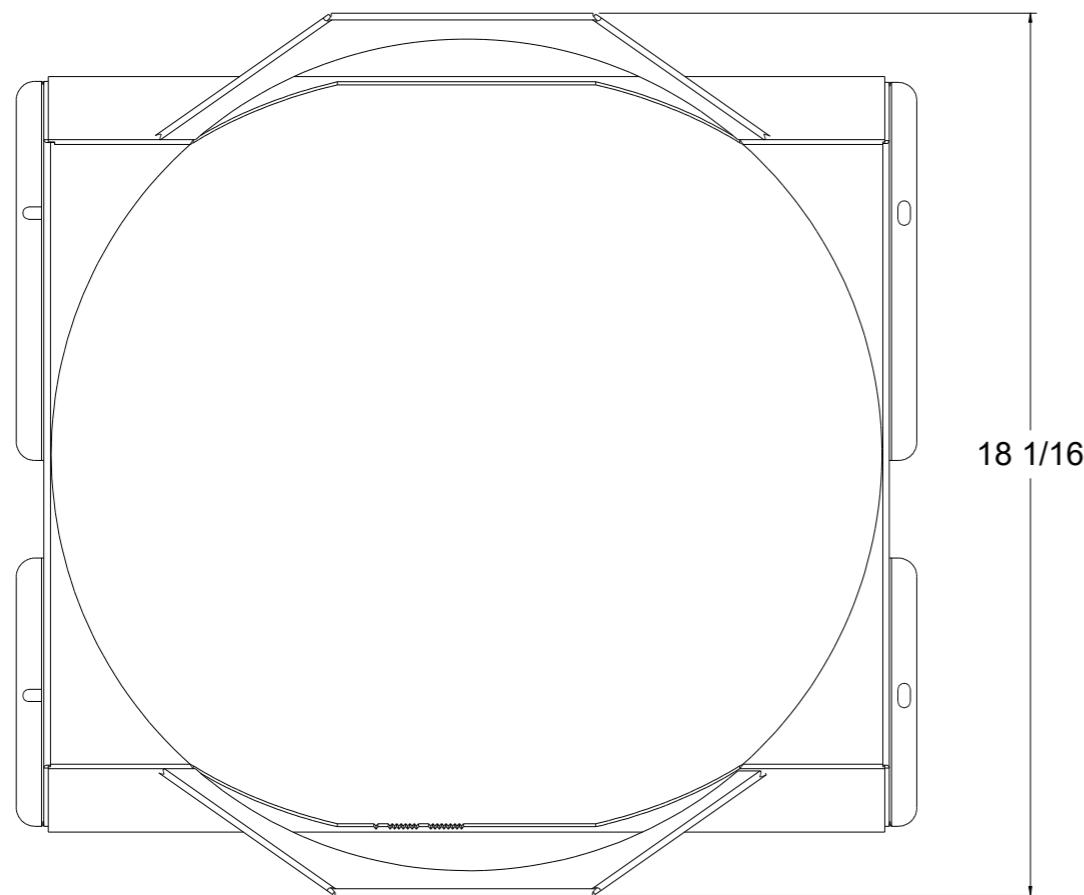
D

SKU #	Radiator DWG #	Radiator P/N	Transmission	Core Size	OEM Fan Shroud DWG #	OEM Fan Shroud P/N	Fan Type	Dimension "X"
1-259-005BB	1--Radiator	1-259-100	Manual	STANDARD (2 Rows of 1" Tubes)	1-259-005BB (Big Block OEM Fan Shroud)	1-259-005BB	N/A	0.0"
1-259-005BB		1-259-110	Automatic					
1-259-005BB		1-259-200	Manual	UPGRADED (2 Rows of 1.25" Tubes)				
1-259-005BB		1-259-210	Automatic					



C

C



B

B

A

A

8 7 6 5 4 3 2 1

Custom Aluminum Radiators  
www.wizardcooling.com

Contact Us:  
716-655-6760

Part Number  
**1-259-Fan Package**