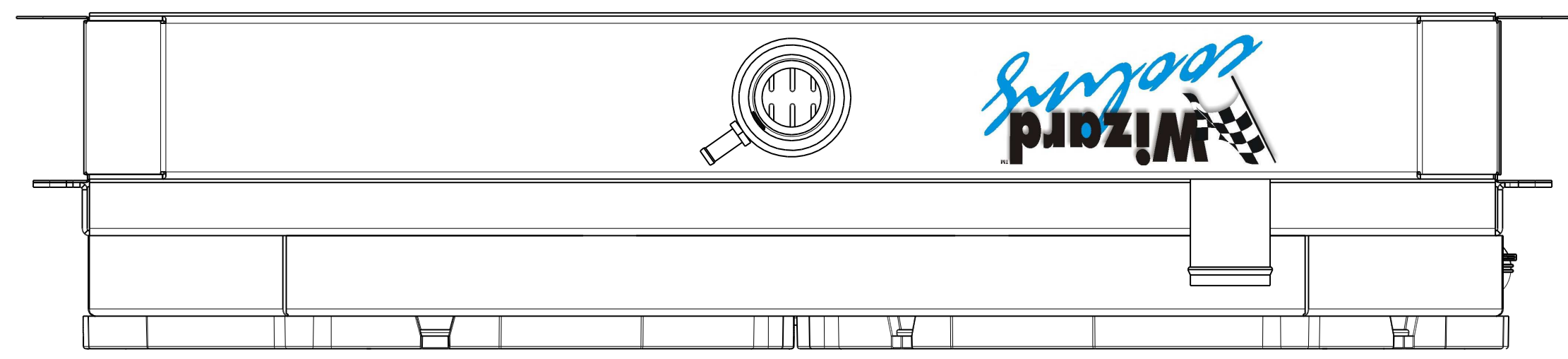
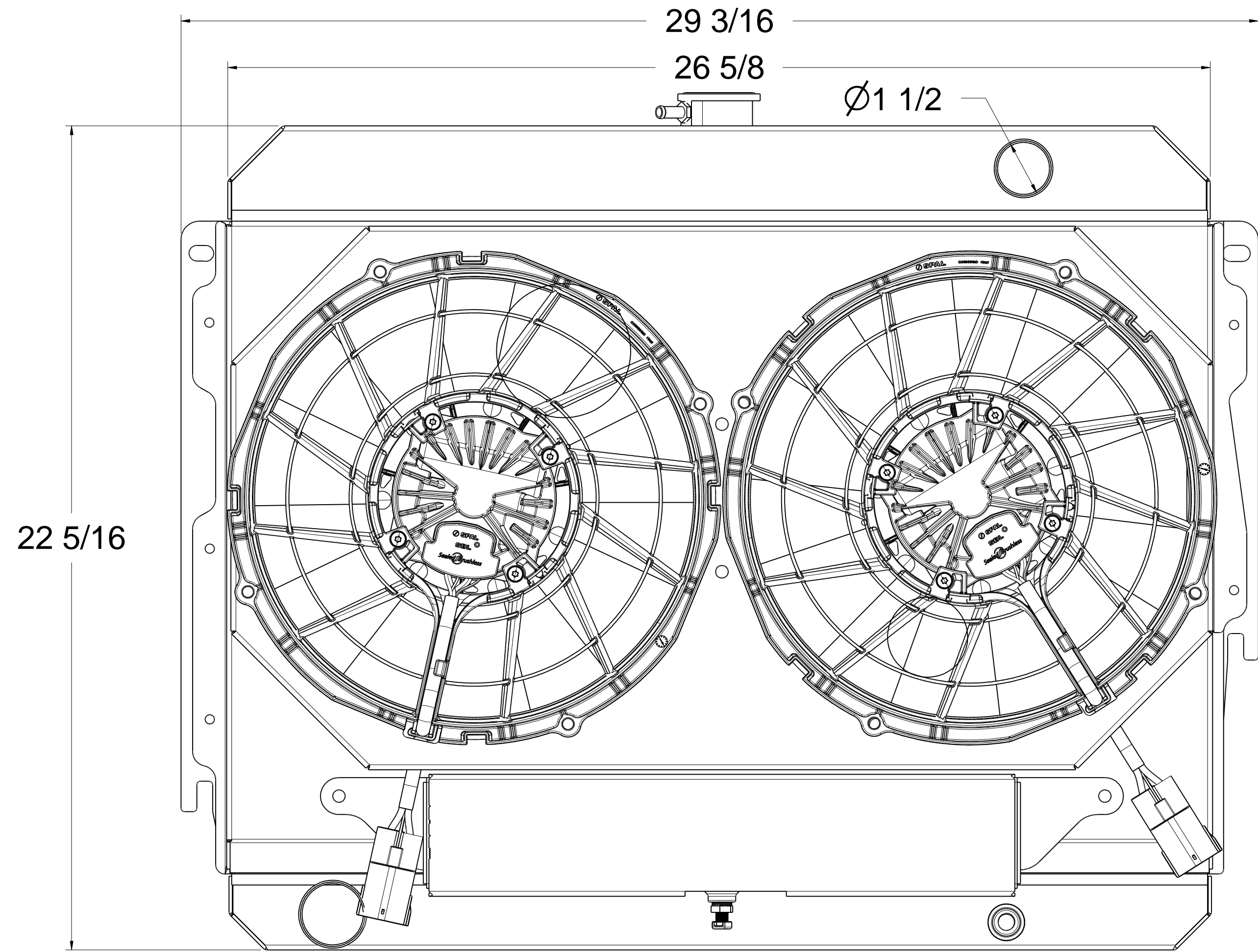


8 7 6 5 4 3 2 1

D



C



B

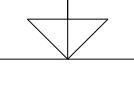
A

$22 \frac{5}{16}$

$29 \frac{3}{16}$

$26 \frac{5}{8}$

$\text{Ø}1 \frac{1}{2}$

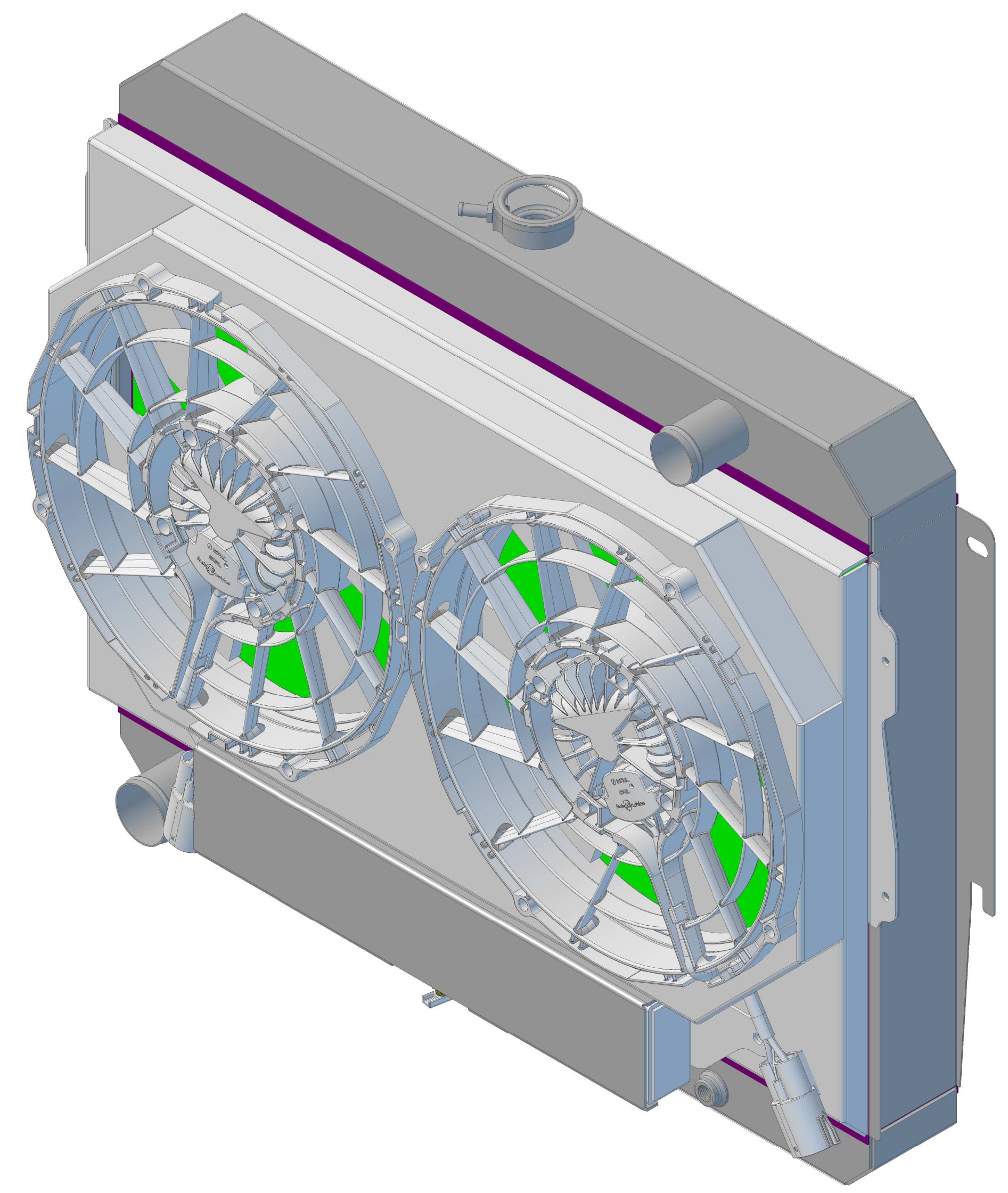


4

3

2

1

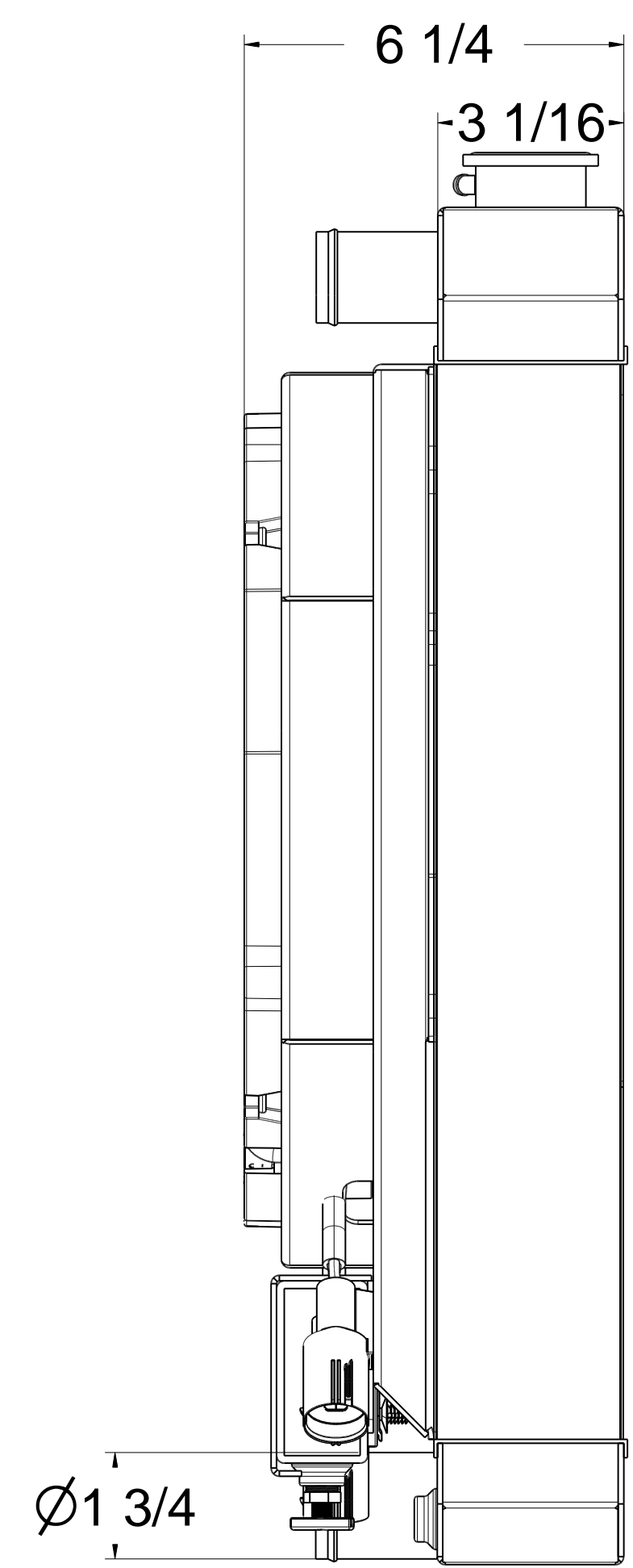


D

C

B

A



$\text{Ø}1 \frac{3}{4}$

$6 \frac{1}{4}$

$3 \frac{1}{16}$

Wizard
cooling
Custom Aluminum Radiators
www.wizardcooling.com

Contact Us:
716-655-6760

Part Number
1640-202BLX

8 7 6 5 4 3 2 1