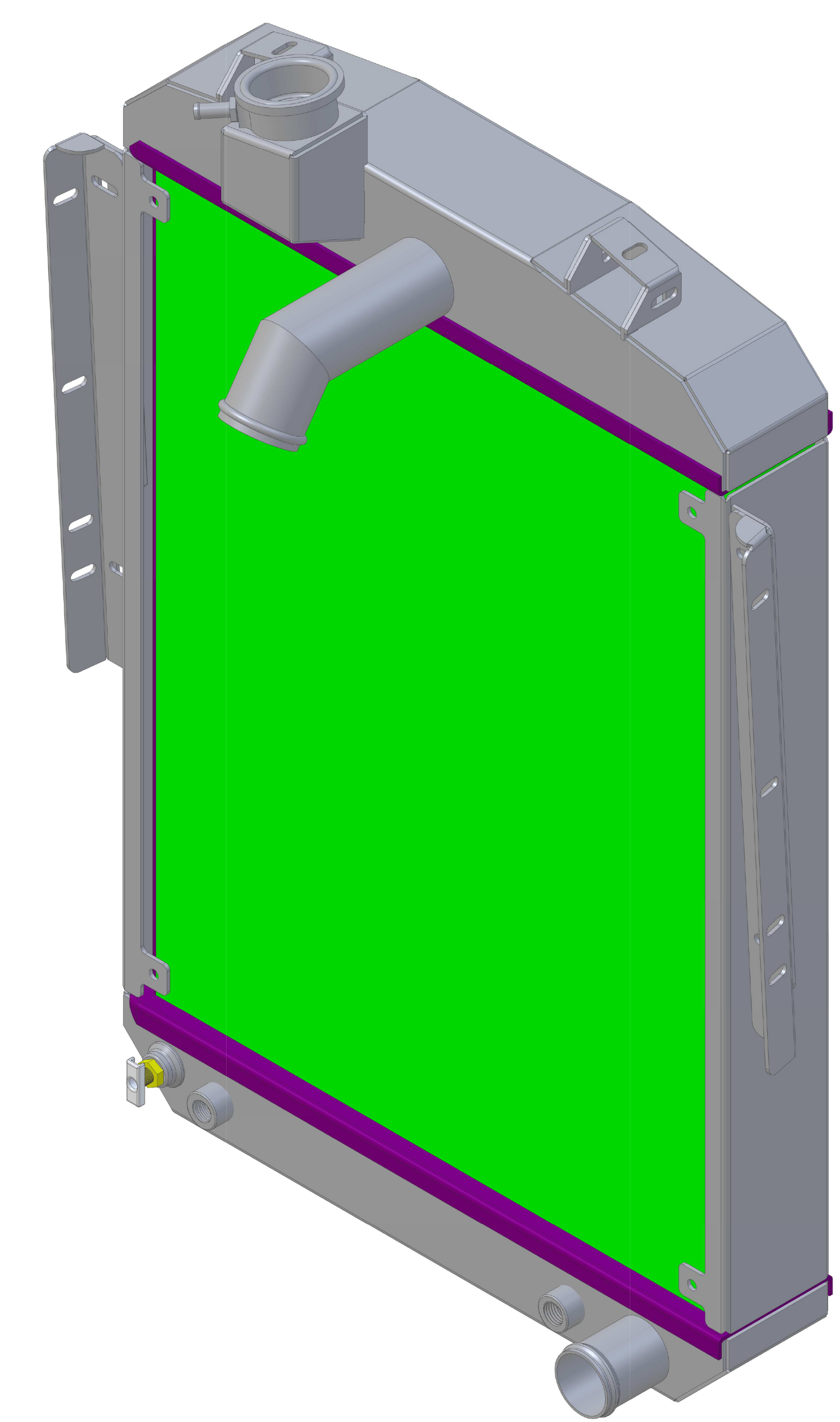
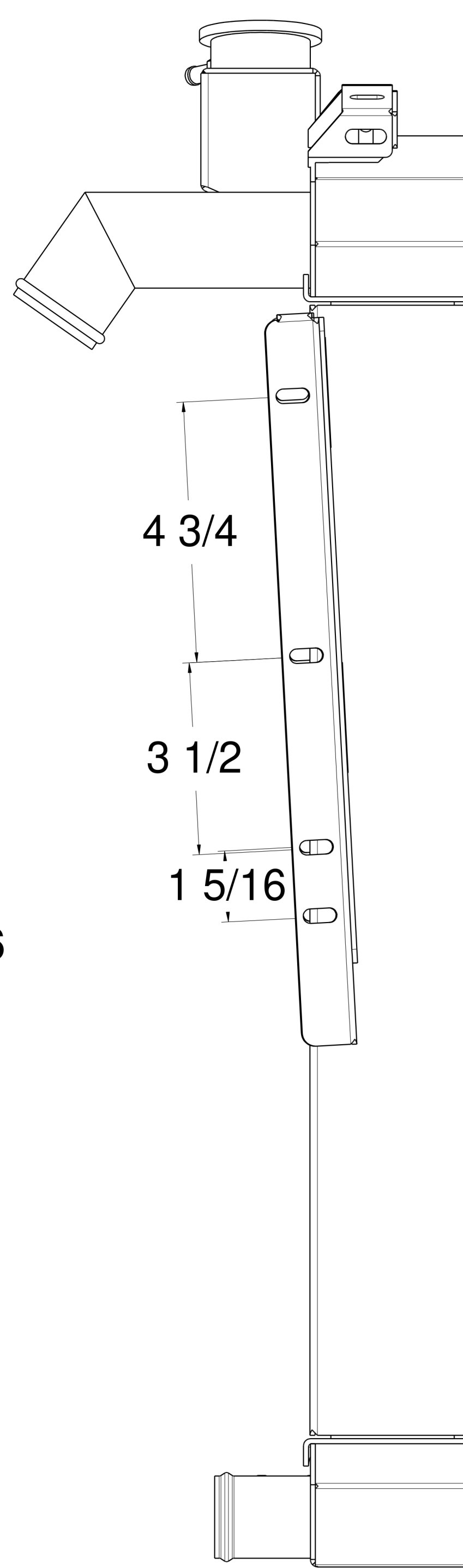
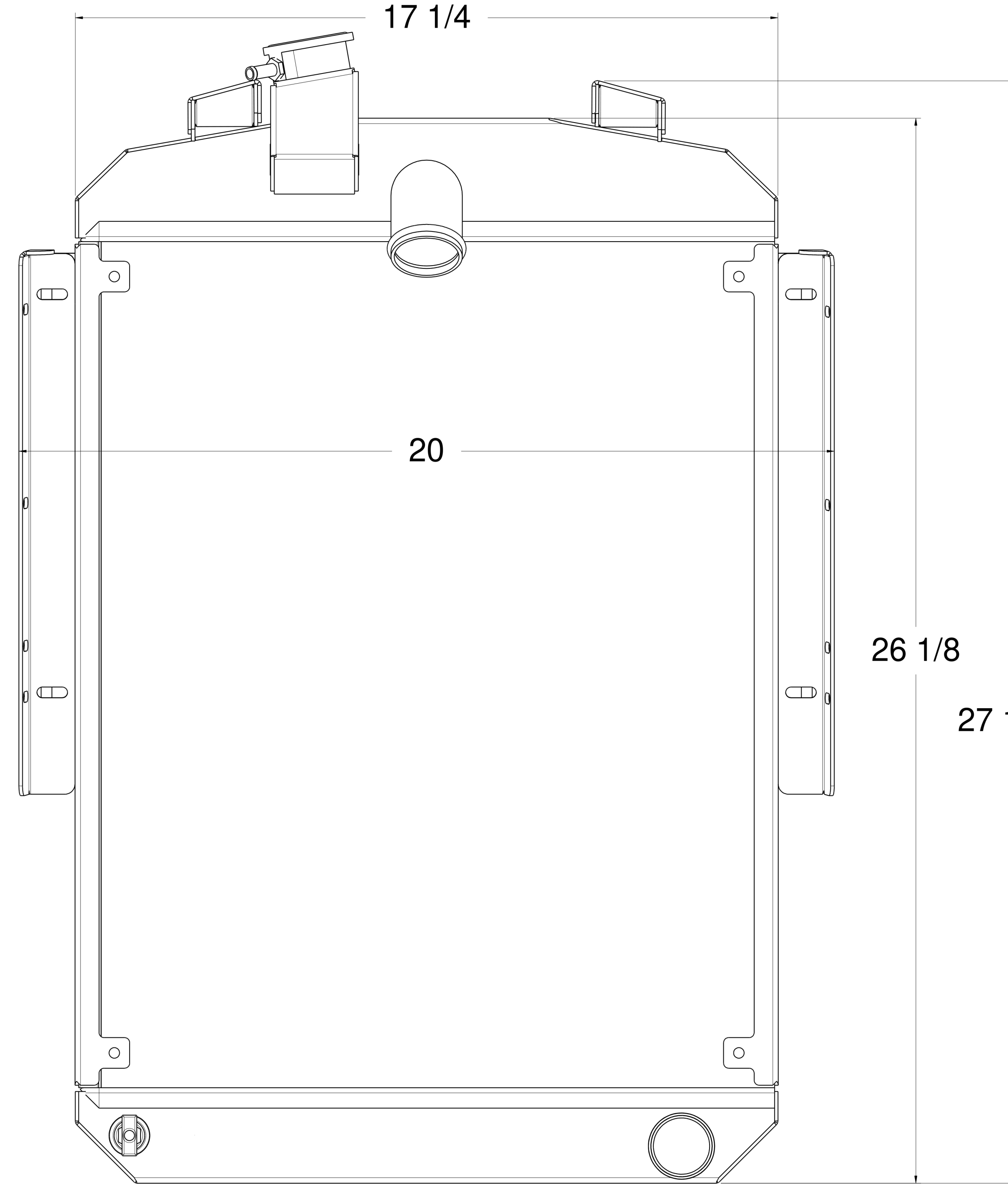
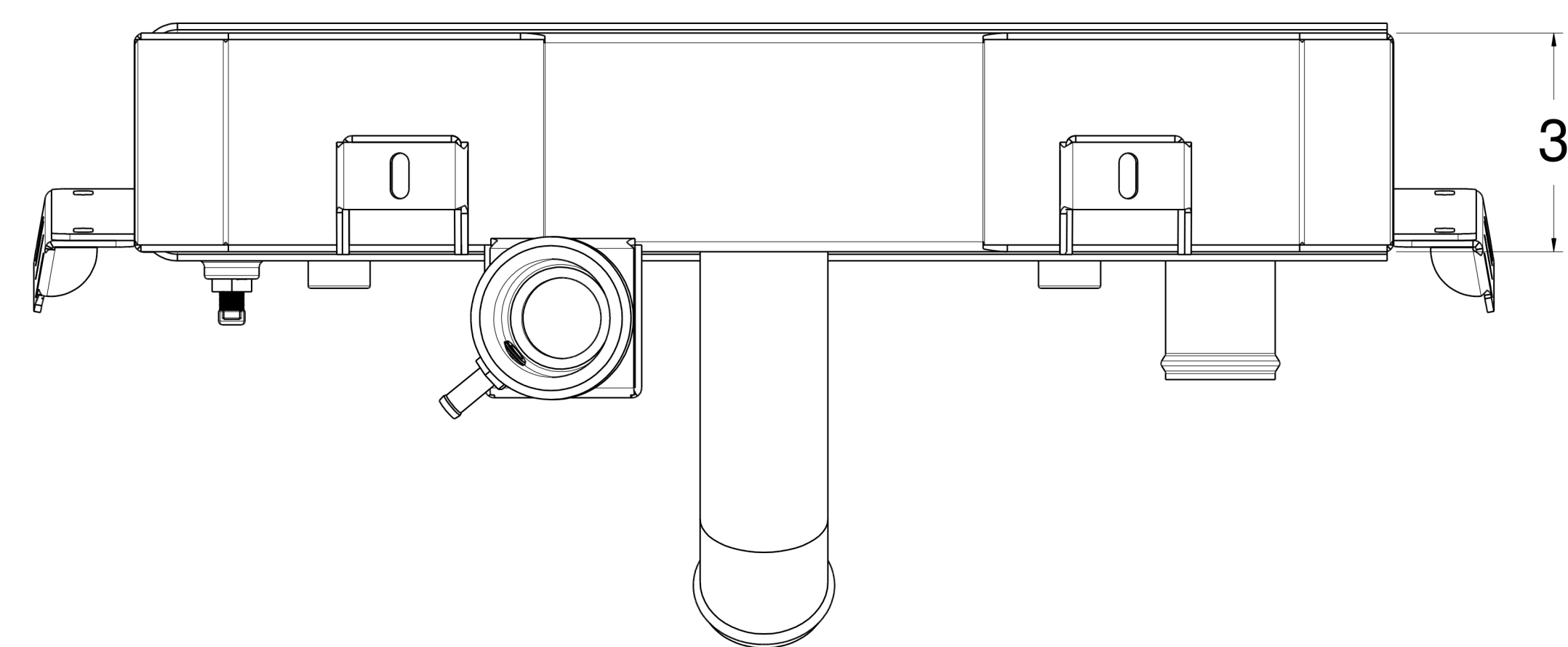



| ZONE | | REV | DESCRIPTION | DATE | APPROVED |
|------|--|-----|-------------|------|----------|
| | | | | | |



| | | | |
|--|---------|------|--|
|  <p>Wizard cooling Custom Aluminum Radiators</p> | DRAWN | DATE | <h1>36 Fargo Truck</h1> <h2>92020-100</h2> |
| | CHECKED | | |
| | QA | | |
| | MFG | | |
| APPROVED | | | Title: SIZE: D FSCM NO.: DWG NO.: SCALE: 1:1 SHEET: |