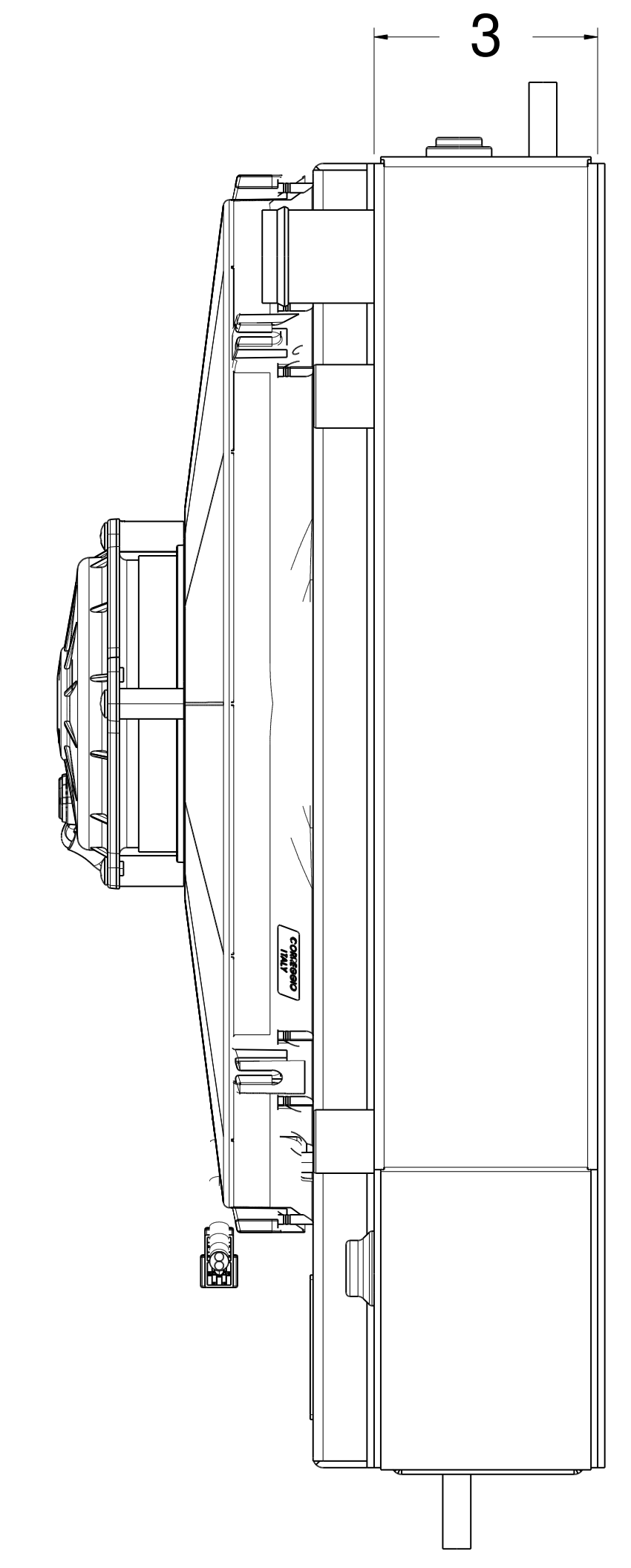
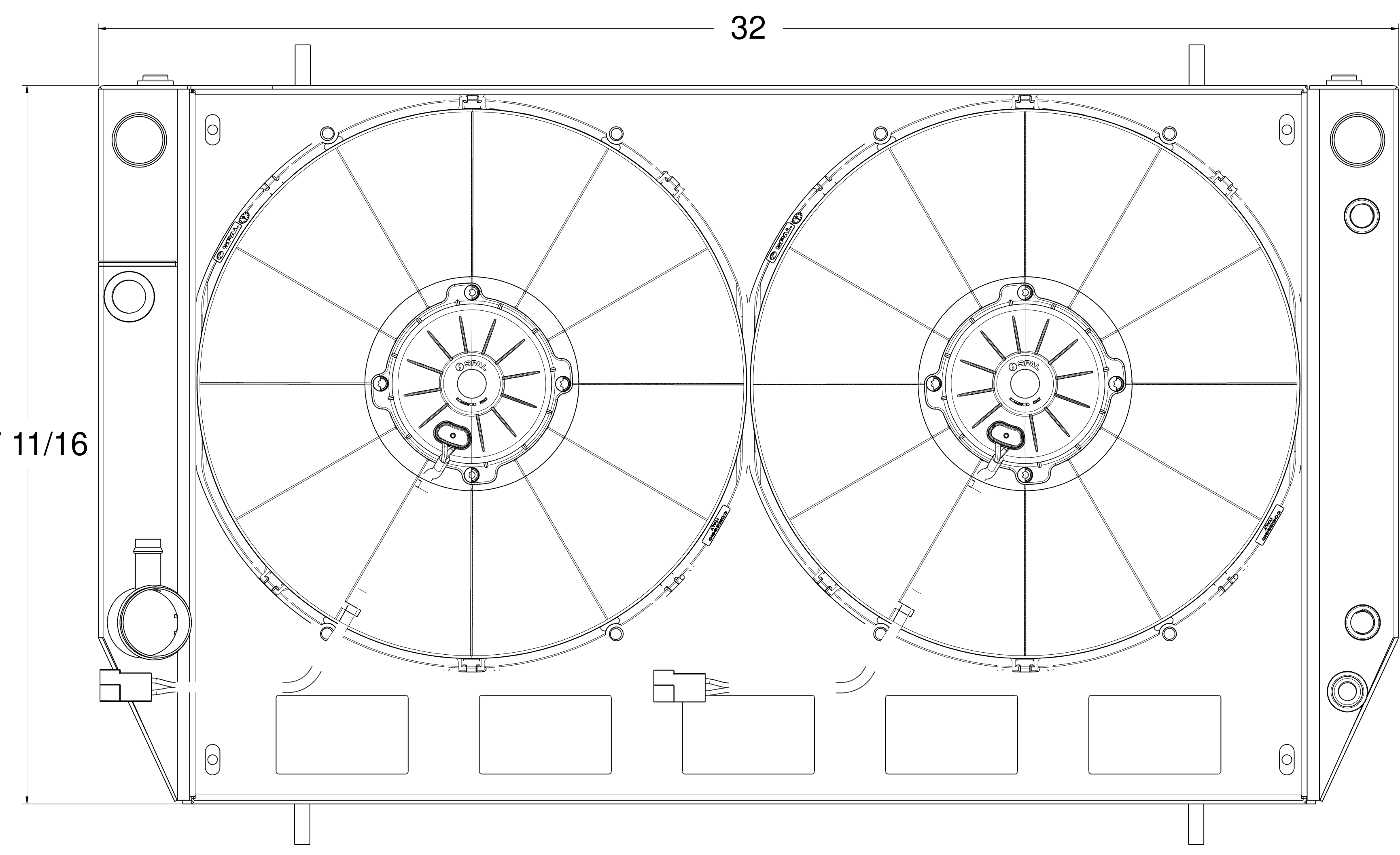
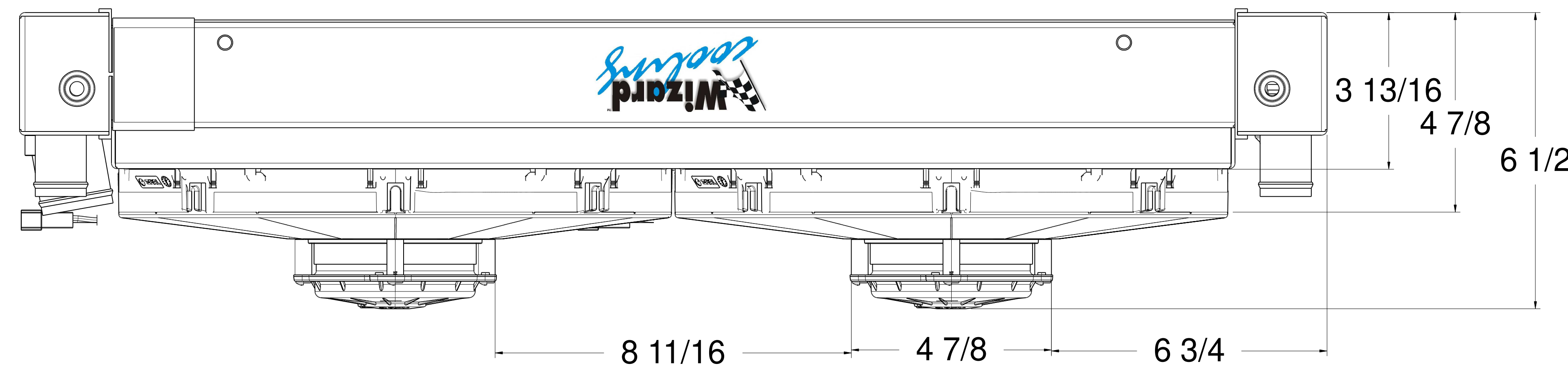
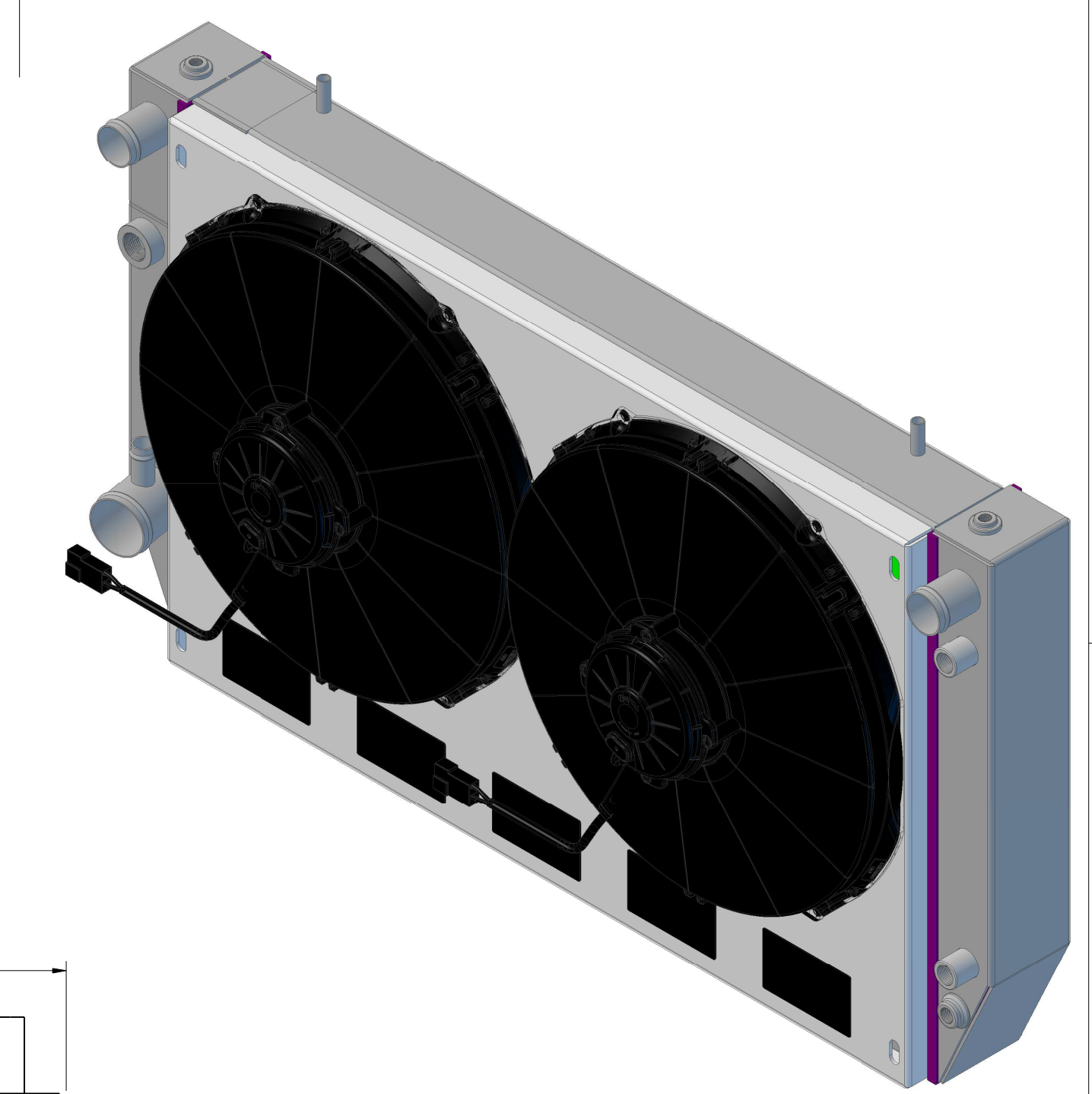


ZONE		REV	DESCRIPTION	DATE	APPROVED
REVISIONS					



	DRAWN	DATE	Title: <b>577-112MD</b>			
	CHECKED					
	QA		SIZE	FSCM NO.	DWG NO.	REV
	MFG		D			-
APPROVED		SCALE	1:1	SHEET		

8 7 6 5 4 3 2 1

D

C

B

A

8 7 6 5 4 3 2 1