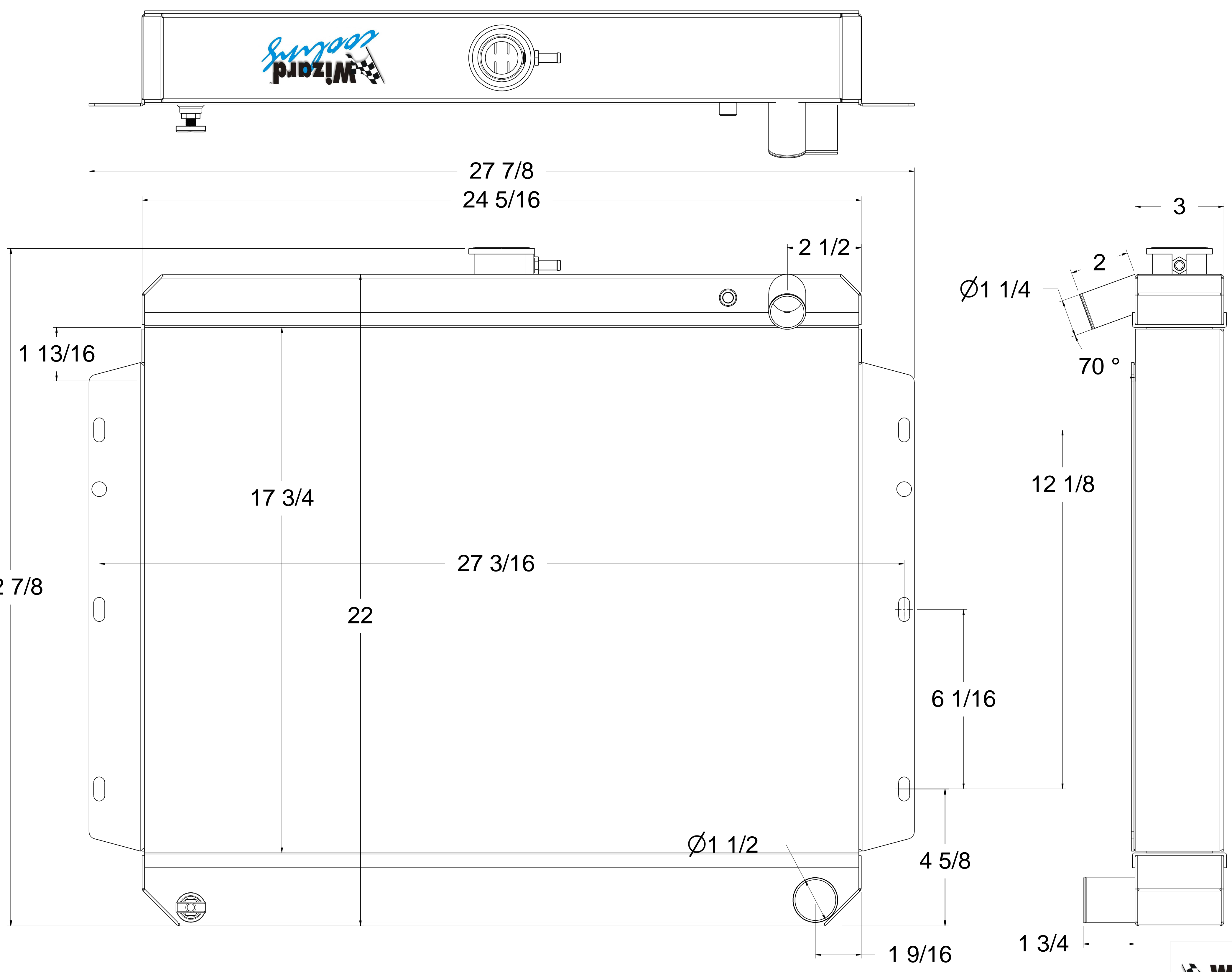
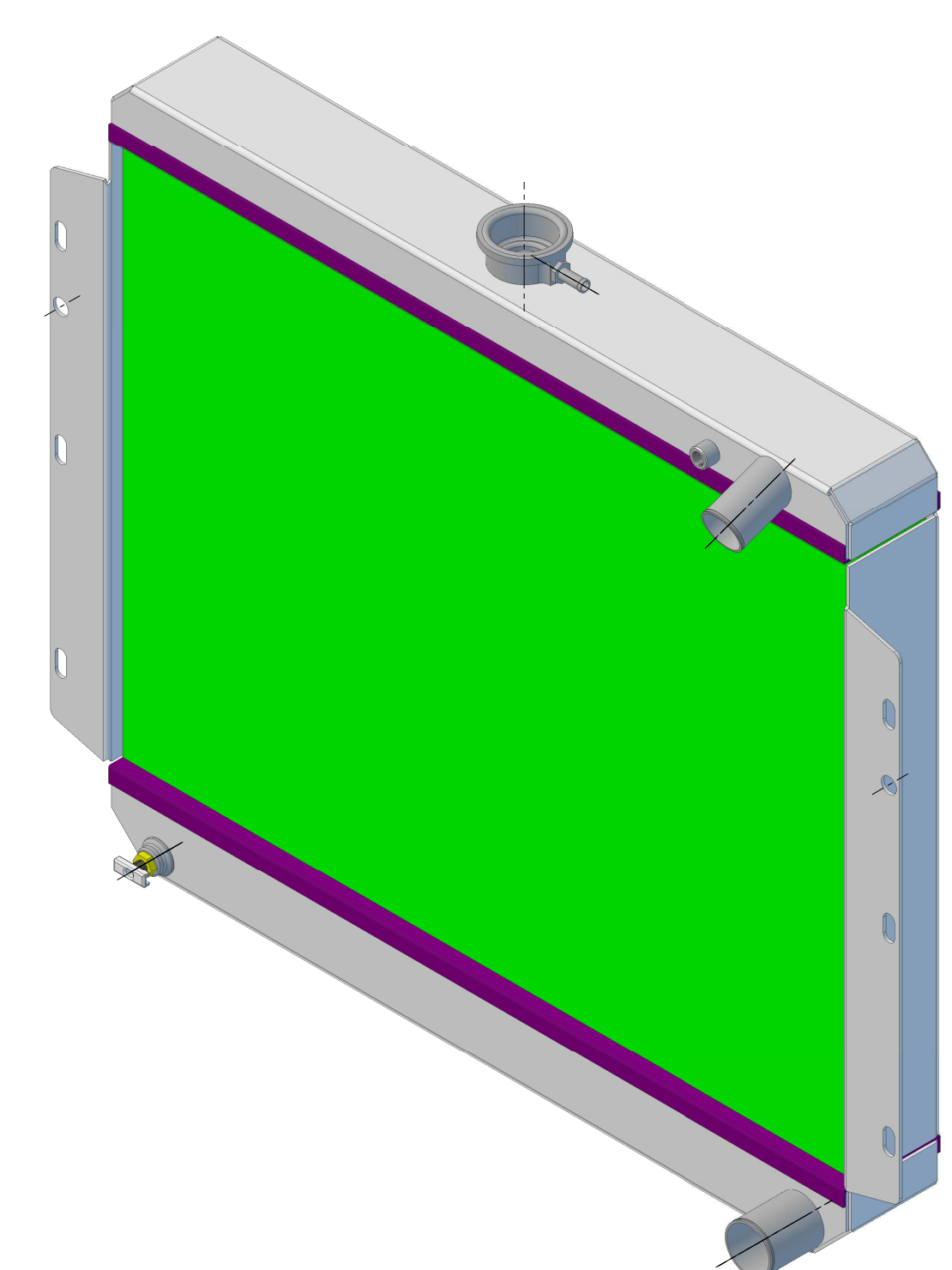


ZONE		REV	DESCRIPTION	DATE	APPROVED



	DRAWN	TJM	DATE	12/3/15	66-71 Scout 800 LS Conversion	
	CHECKED				Title:	
	QA				138-100LS	
	MFG				SIZE	D
	APPROVED				FSCM NO.	
					DWG NO.	
					REV	-
					SCALE	1:1
					SHEET	