

Ø 355 mm  
Ø 14"

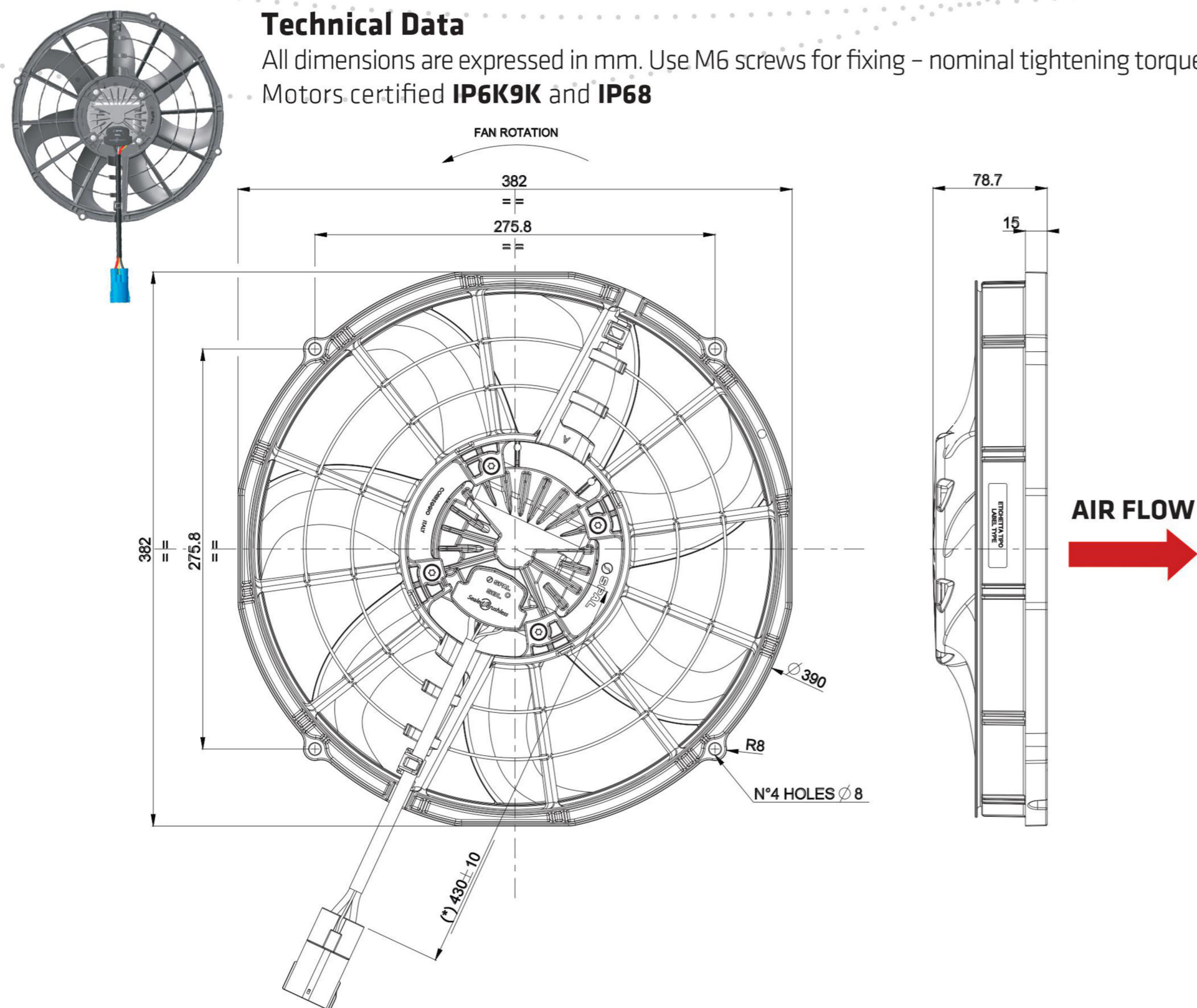
**VA116-ABL324P-105A**

**VA116-ABL324P-105A**

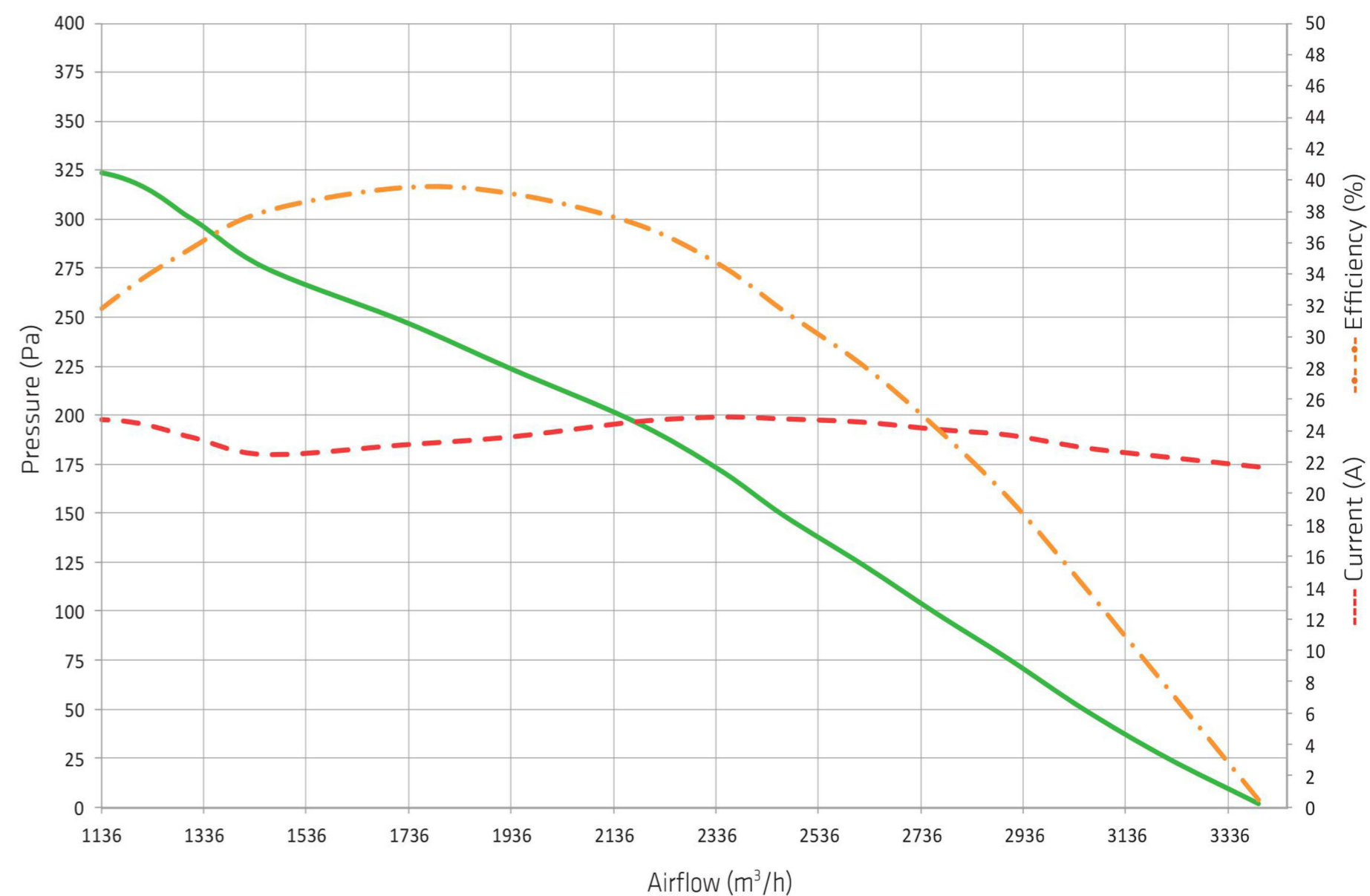
Ø 355 mm  
Ø 14"

**Technical Data**

All dimensions are expressed in mm. Use M6 screws for fixing – nominal tightening torque 4 Nm  
Motors certified **IP6K9K** and **IP68**



**Performance Curve**



Pressure: 1Pa=0.004 inH<sub>2</sub>O      Airflow: 1m<sup>3</sup>/h=0.59 cfm

**Connector: YAZAKI HYBRID (USCAR-2 compliant) - Part number: 7282-8497-90**

	Identification	+	-	A	PWM* / E*
	Pin number	1	2	3	4
	Wire Color	RED	BLACK	YELLOW	WHITE
	Sealing p/n	7158-3035	7158-3035	7158-3030-50	7158-3030-50
	Pin p/n	7114-3250	7114-3250	7114-4102-02	7114-4102-02
	Section [mm <sup>2</sup> ]	6.0	6.0	0.5	0.5

**NOTE: YAZAKI connector counterpart available upon request (see page 63)**

Features		
Max fan speed	rpm	2800
Min fan speed	rpm	700
Sound pressure level	dB(A)	73.7 - at 1 m ± 0.005 m from the fan module- lateral side
Weight	Kg	2.40
Operating supply voltage range	V	9.0 .. 16.0 at the Drive Connector
Supply voltage to reach max speed	V	13.0 .. 16.0 at the Drive Connector
Operating ambient temperature range	°C	-40 .. +120
Speed derating threshold	°C	+105 (*)
Storage temperature range	°C	-40 .. +125
Lifetime	h	up to 40000 hours depending on mission profile
Time from 0 rpm to max speed	s	17
Load dump protection (Pulse 5b)	V	35 - Pulse peak voltage (Us *) - ISO16750-2:2010
Reverse polarity protection		ISO 16750-1 functional status class C - device fully functional after correcting the polarity

Notes (\*): Few minutes ambient temperature transients do not engage the derating owing to the thermal inertia of the system. Overloads may anticipate derating.