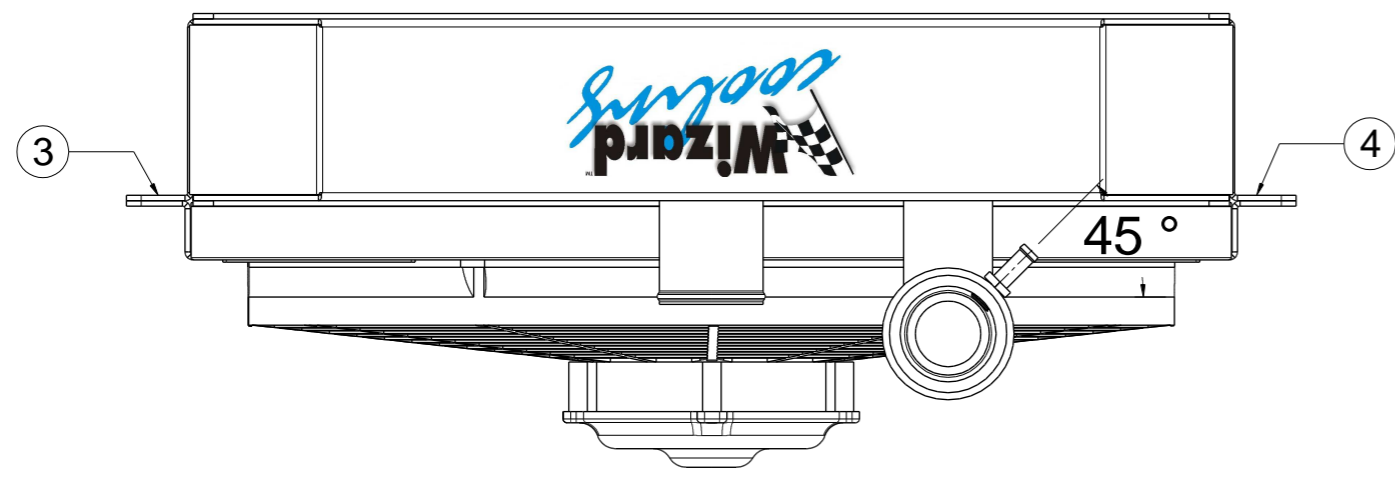
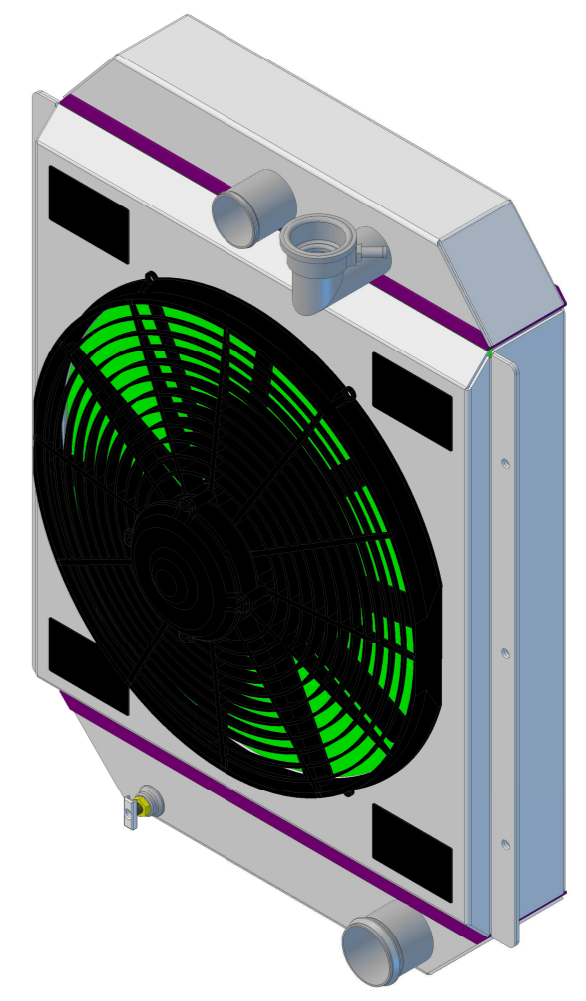
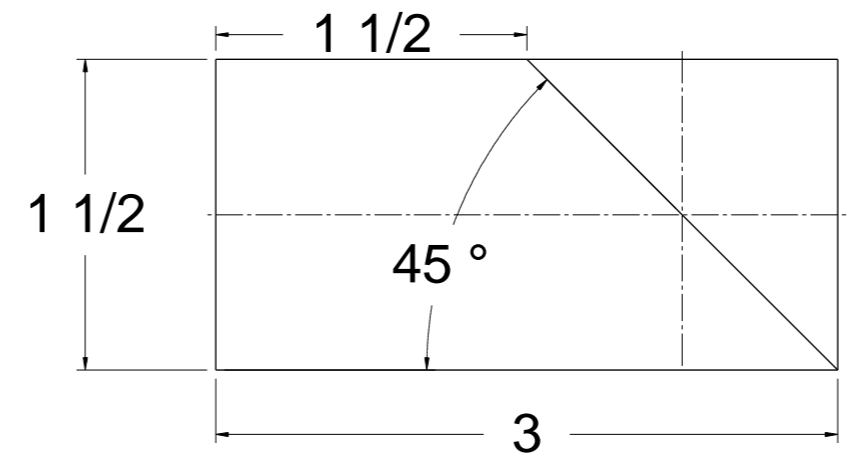


8 7 6 5 4 3 2 1

ZONE		REV	DESCRIPTION	DATE	APPROVED



Fillerneck Extension



D

D

C

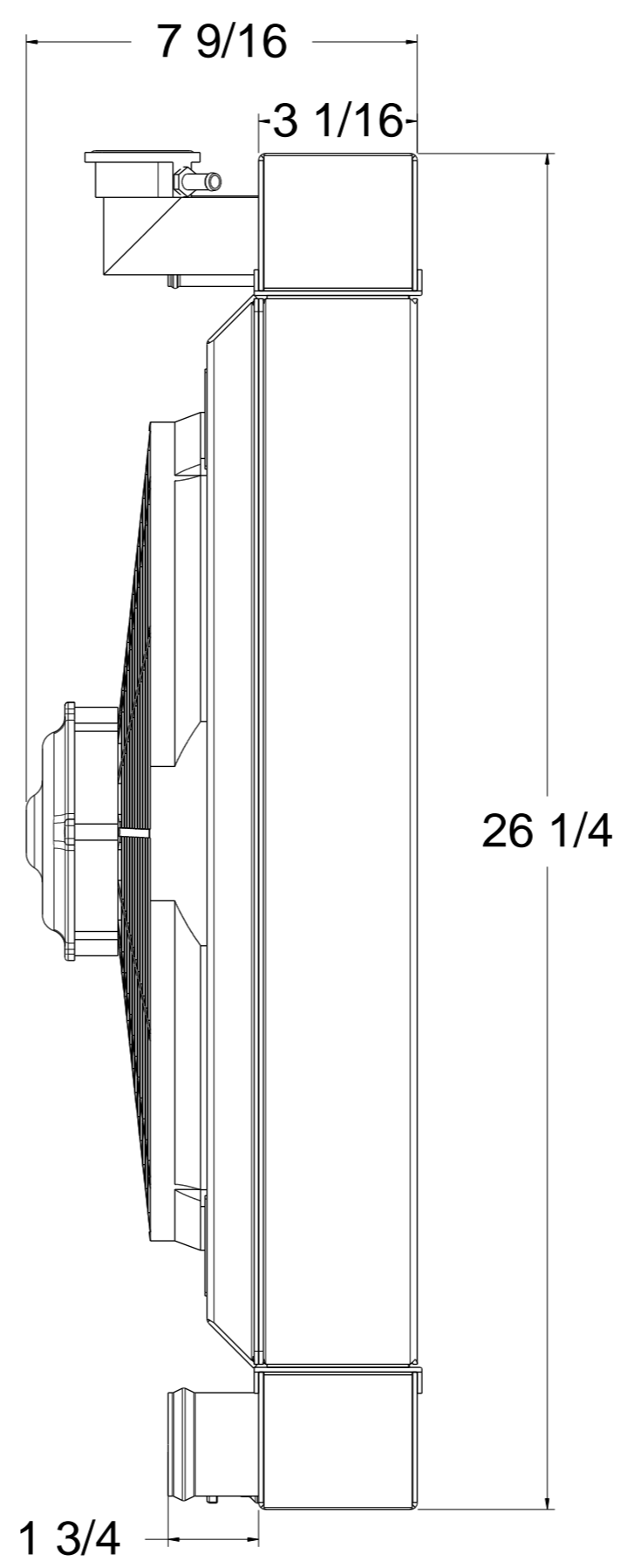
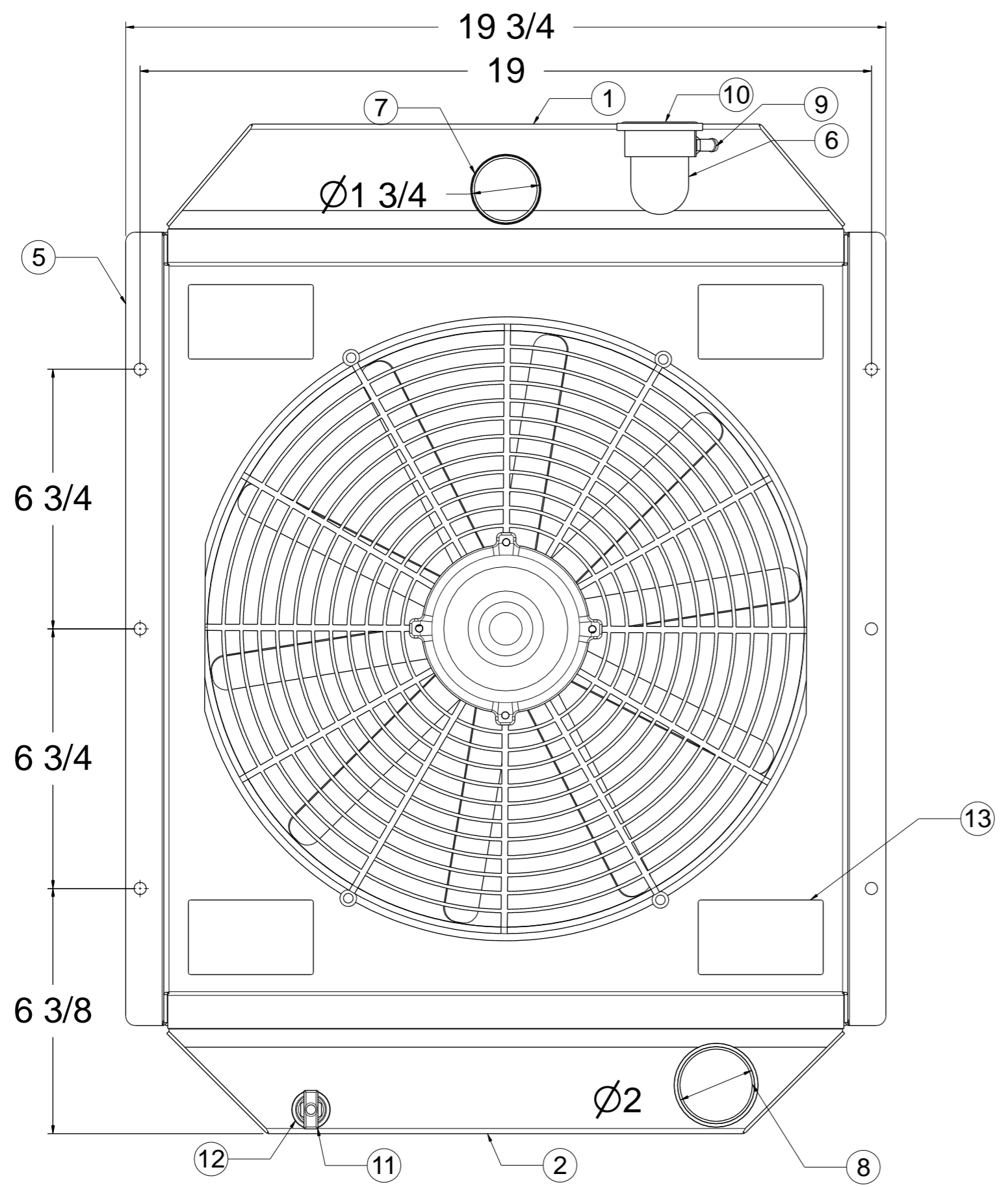
C

B

B

A

A



Item Number	Quantity	Part Number	Part Name	Revision	Comment
1	1	04290	Inlet Tank		
2	1	04291	Outlet Tank		
3	1	04292	Driver Side Channel		
4	1	04293	Passenger Side Channel		
5	1	04294	Shroud		
6	1	3-006	Fillerneck Extension		
7	1	3-007	1 3/4" Inlet Pipe		
8	1	3-008	2" Outlet Pipe		
9	1	3-034	Overflow Spout		
10	1	3-035	Fillerneck		
11	1	3-100	Petcock		
12	1	3-104	Drain Bung		
13	4	Fan Flap	Fan Flap		
14	1	2-20.75x17.5x2.75	Core Center		



DRAWN	JW	DATE	10/26/18
CHECKED			
QA			
MFG			
APPROVED			

1946-48 Studebaker Truck			
Title:			
60307-100			
SIZE	FSCM NO.	DWG NO.	REV
D			-
SCALE 1:1		SHEET	

8 7 6 5 4 3 2 1