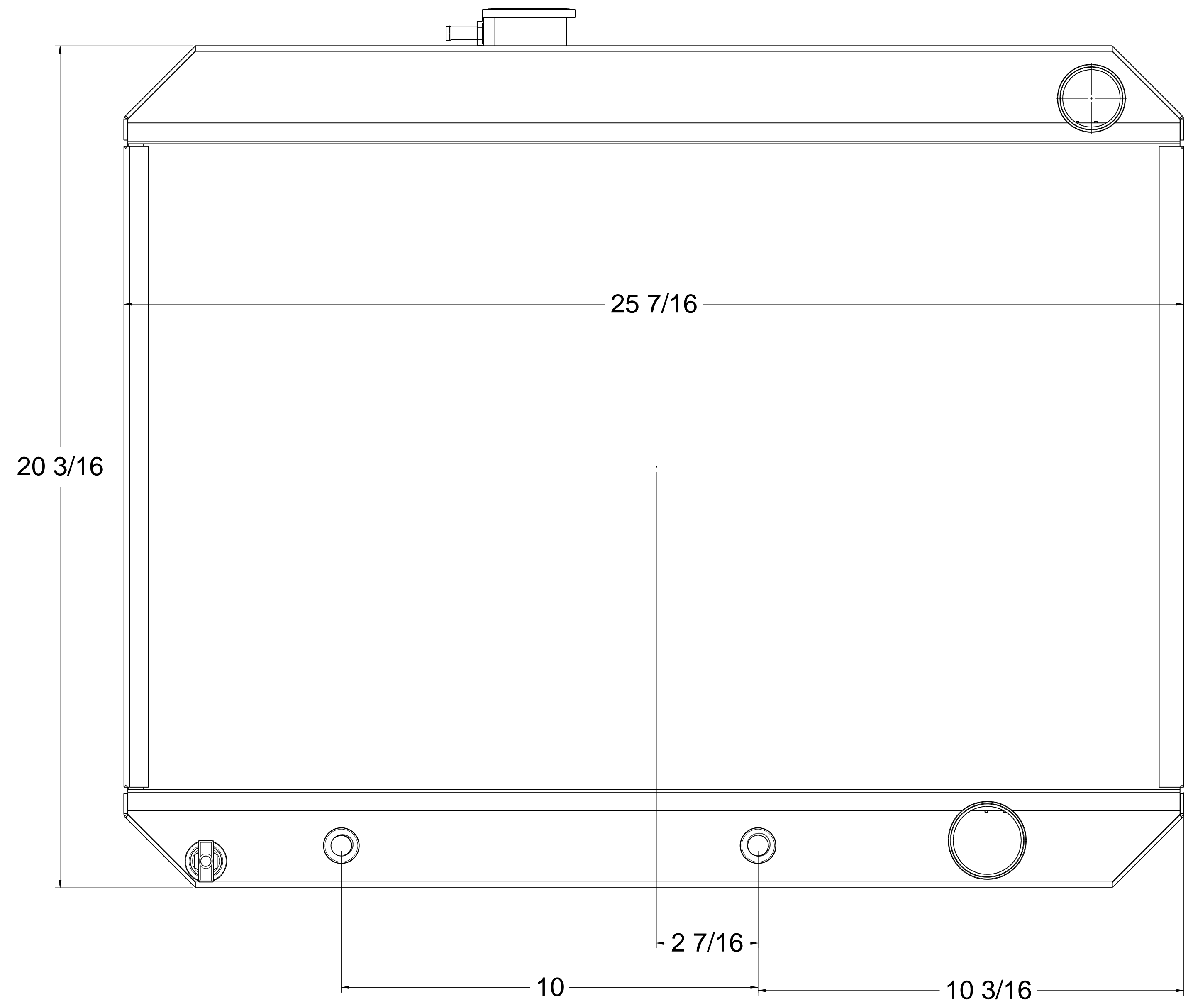
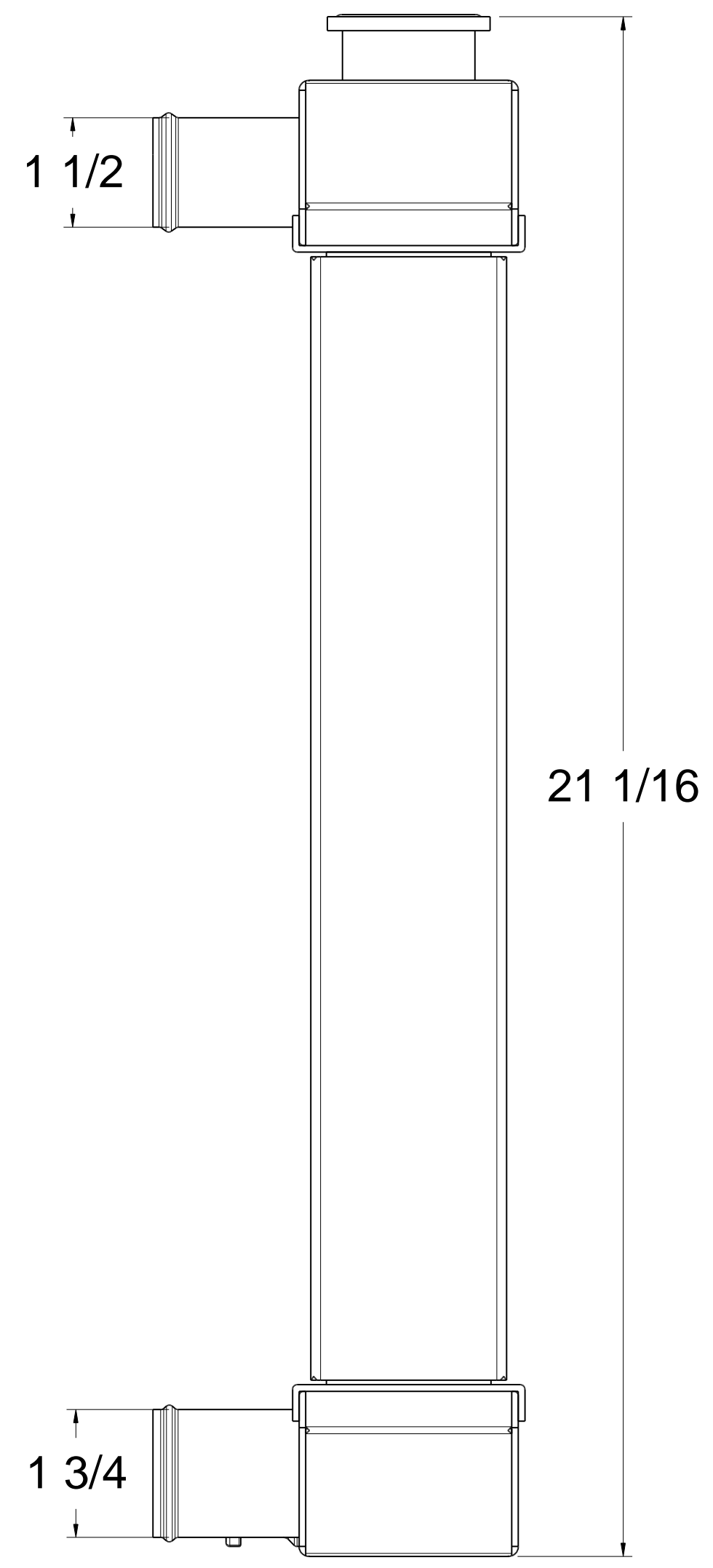
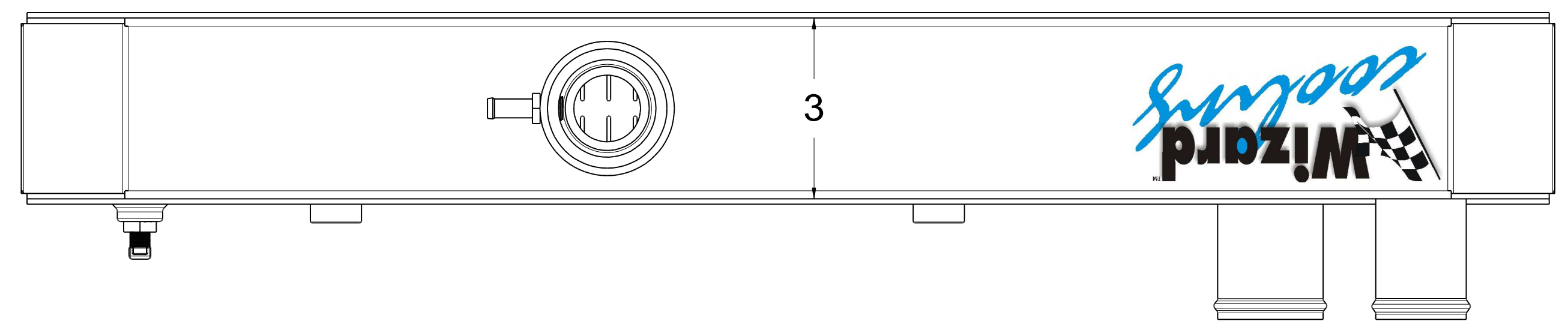
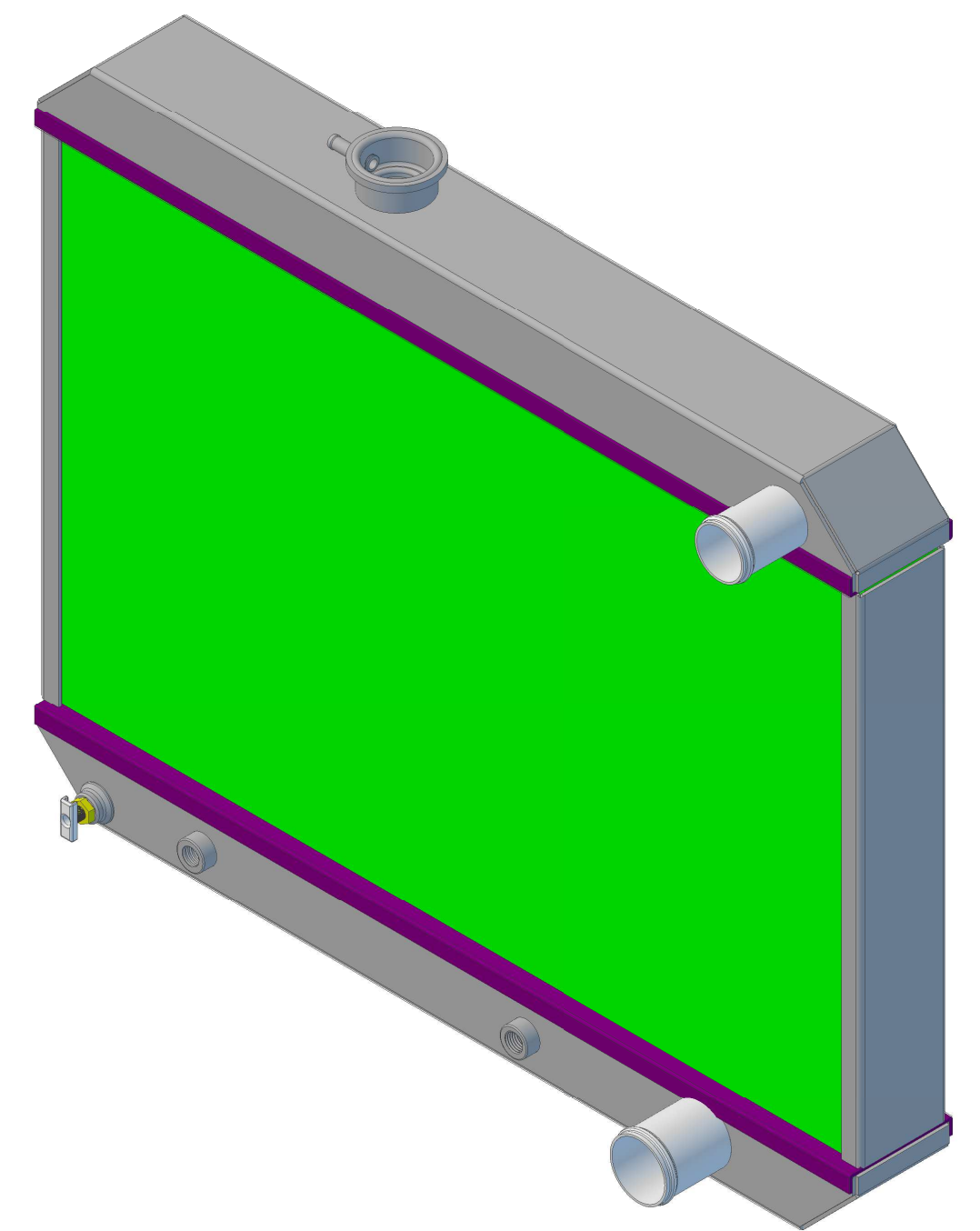


ZONE		REV	DESCRIPTION	DATE	APPROVED
REVISIONS					



DRAWN TED	DATE 2/3/2011	64-65 Pontiac GTO/Lemans/Tempest WO/AC Fillerneck on Driver Side		
CHECKED		Title: 27100-110 Assembly		
QA		SIZE D	FSCM NO.	DWG NO.
MFG		SCALE 1:2		REV -
APPROVED		SHEET		