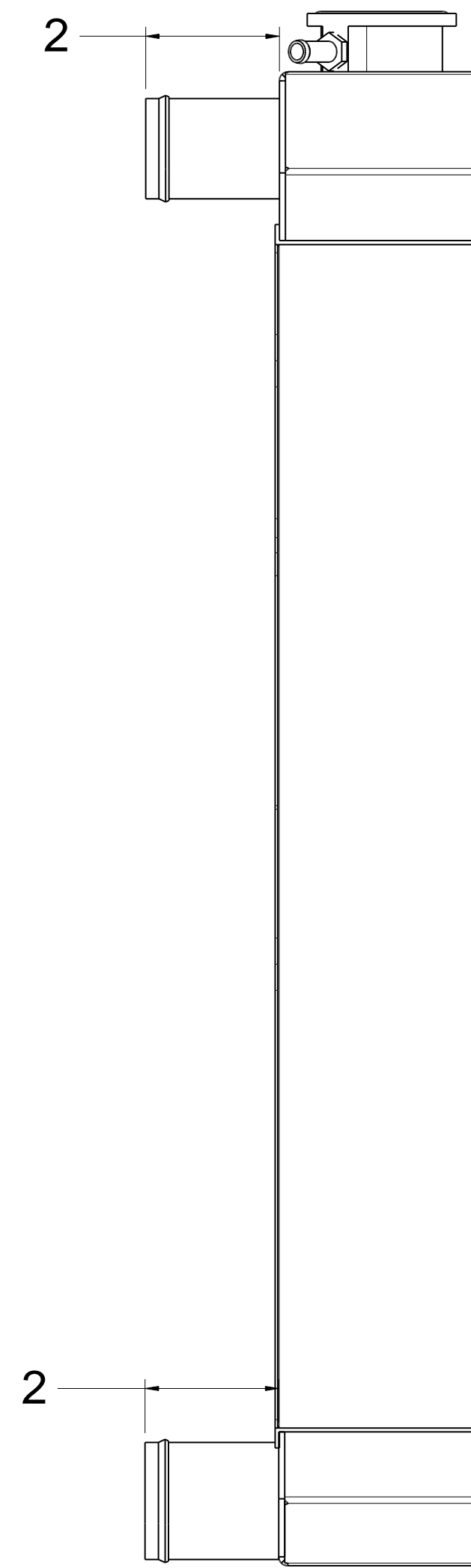
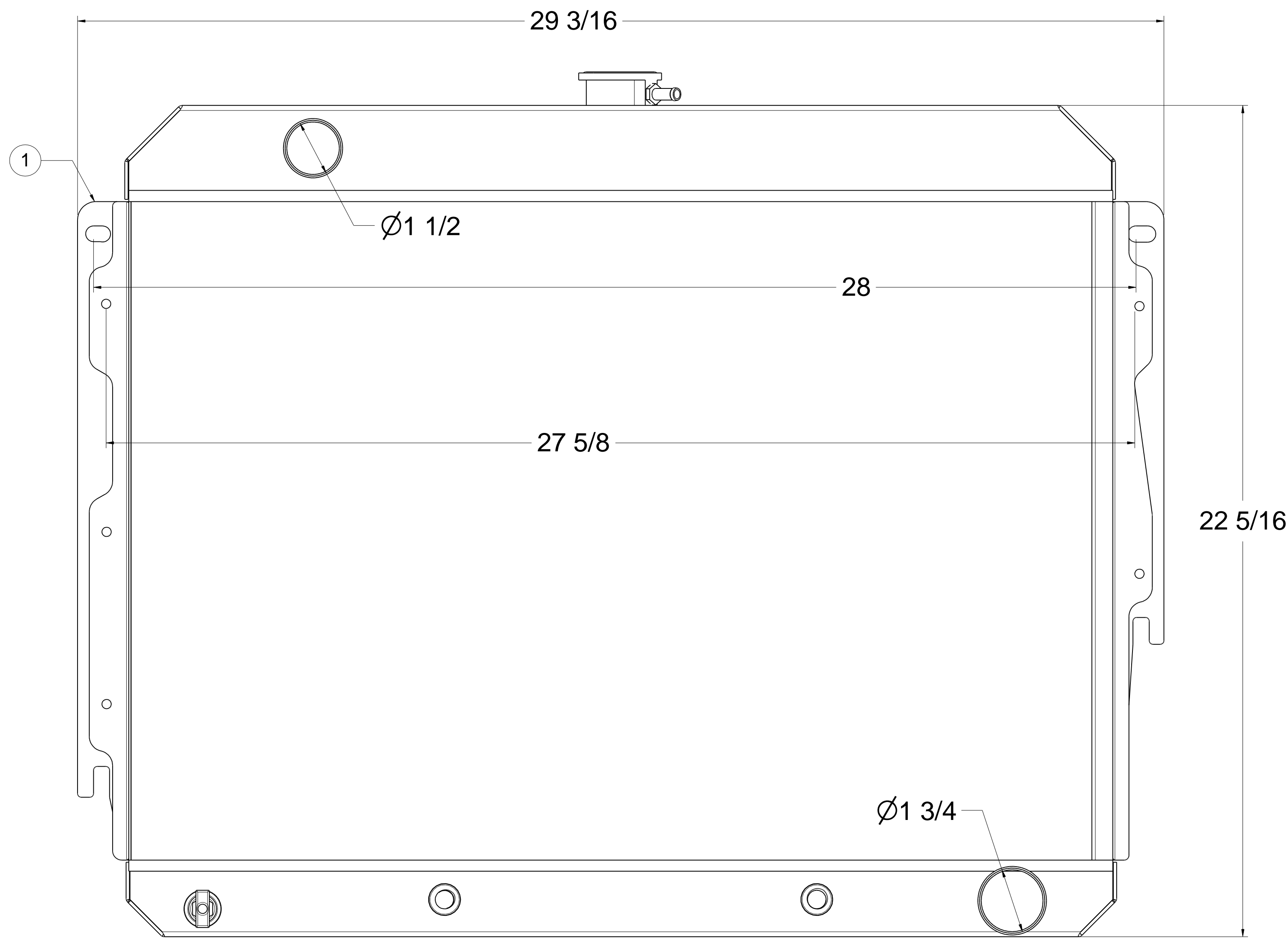
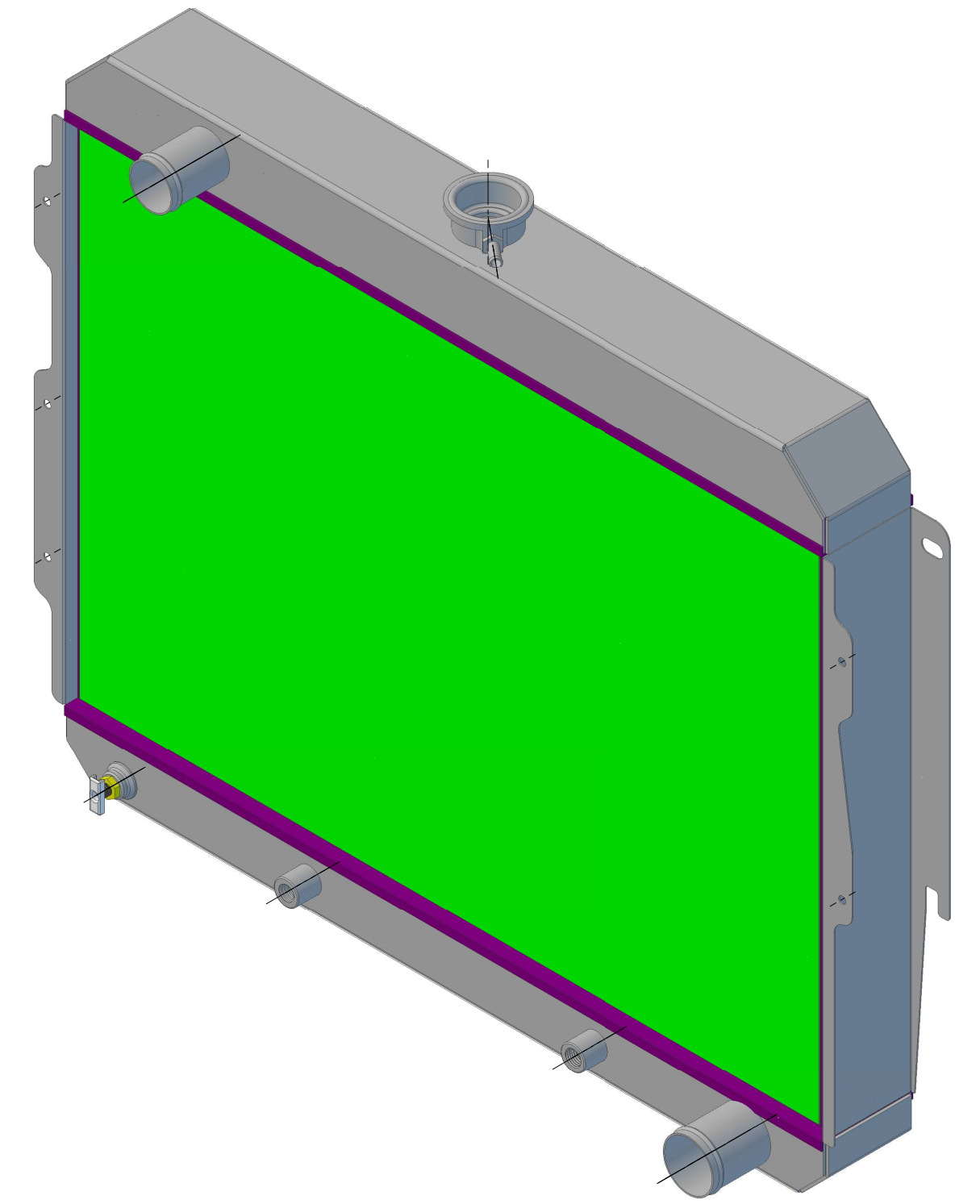
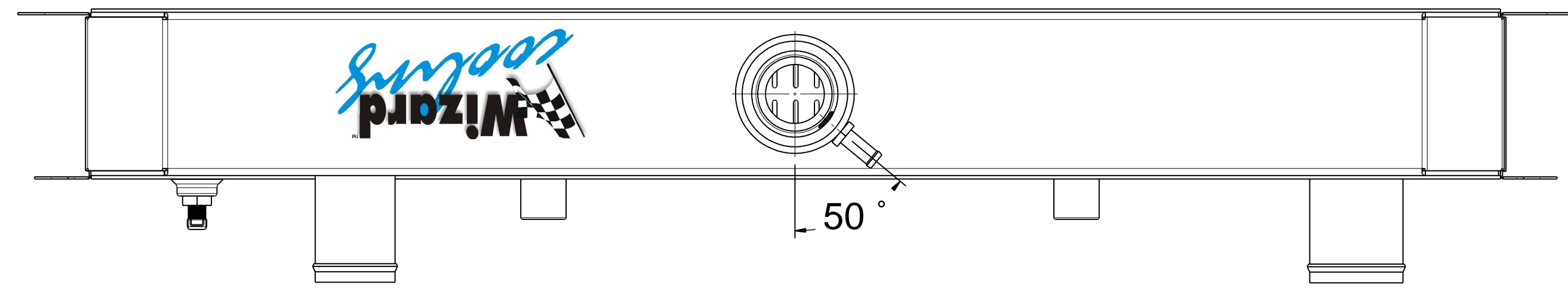



ZONE		REV	DESCRIPTION	DATE	APPROVED
REVISIONS					



 <p><b>Wizard</b> cooling Custom Aluminum Radiators</p>	DRAWN JRF	DATE 3/24/14	Title: <b>1638-110 Assembly</b>			
	CHECKED					
	QA		SIZE D	FSCM NO.	DWG NO.	REV -
	MFG		SCALE 1:1	SHEET		
APPROVED						