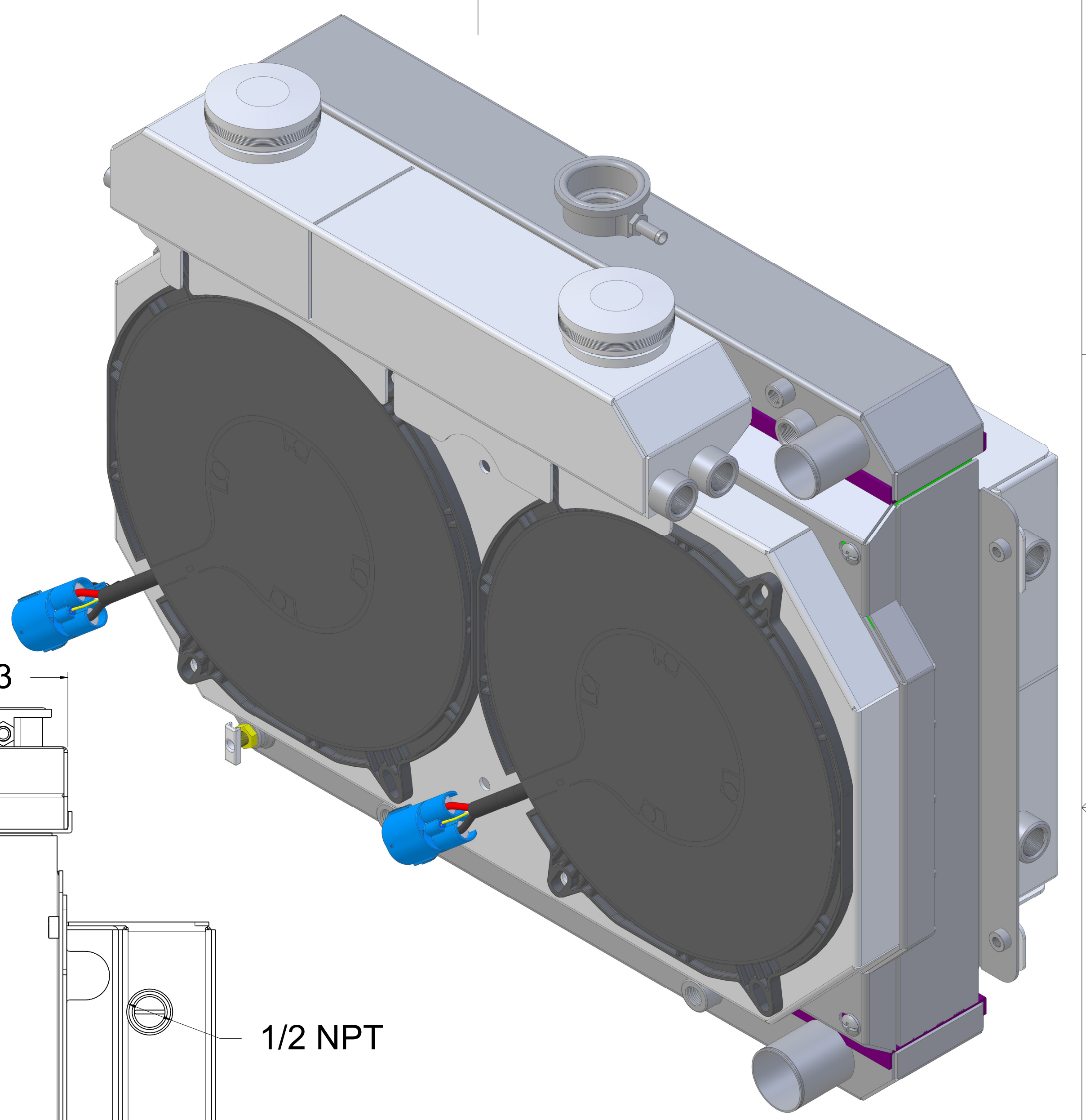
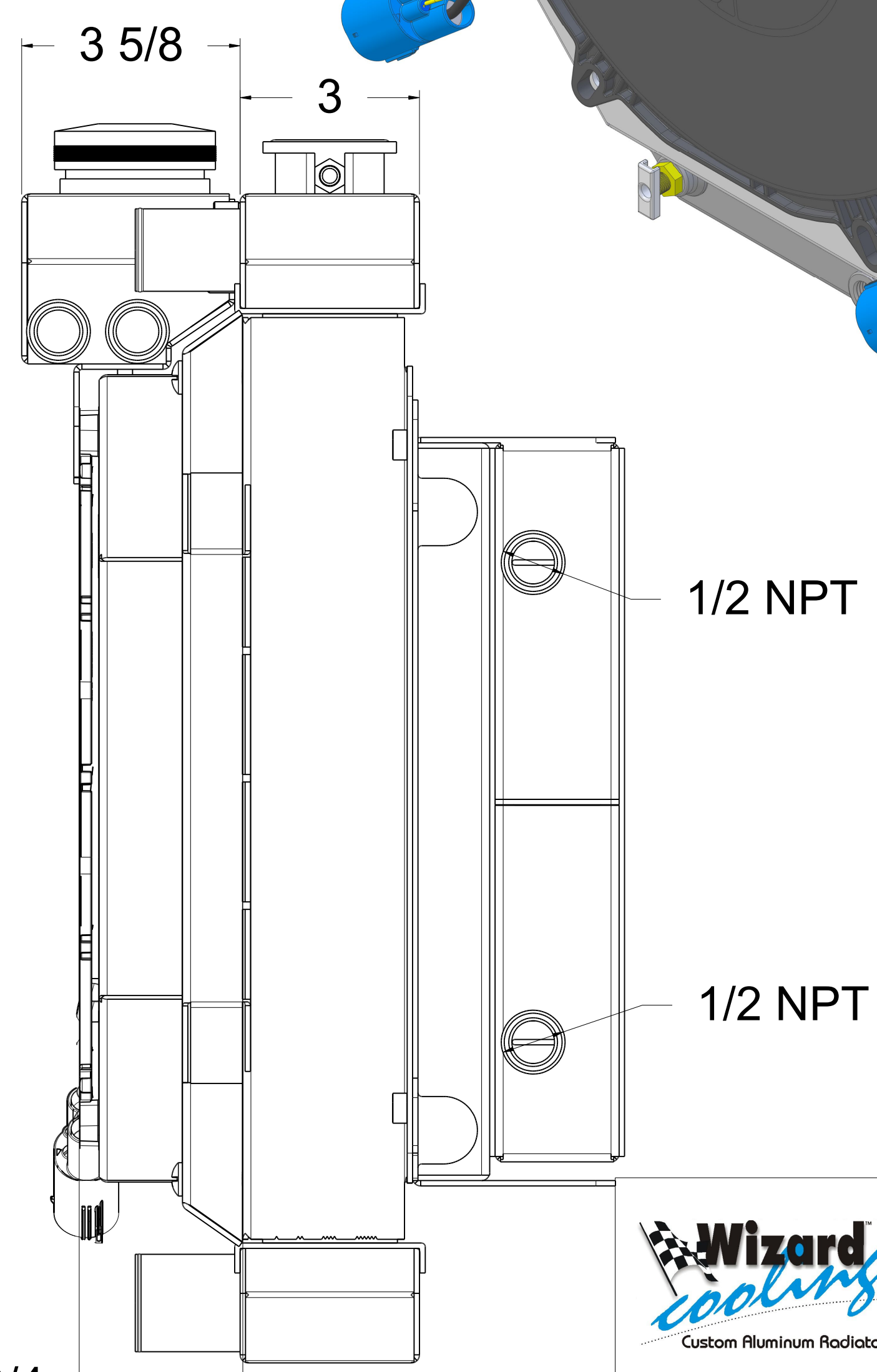
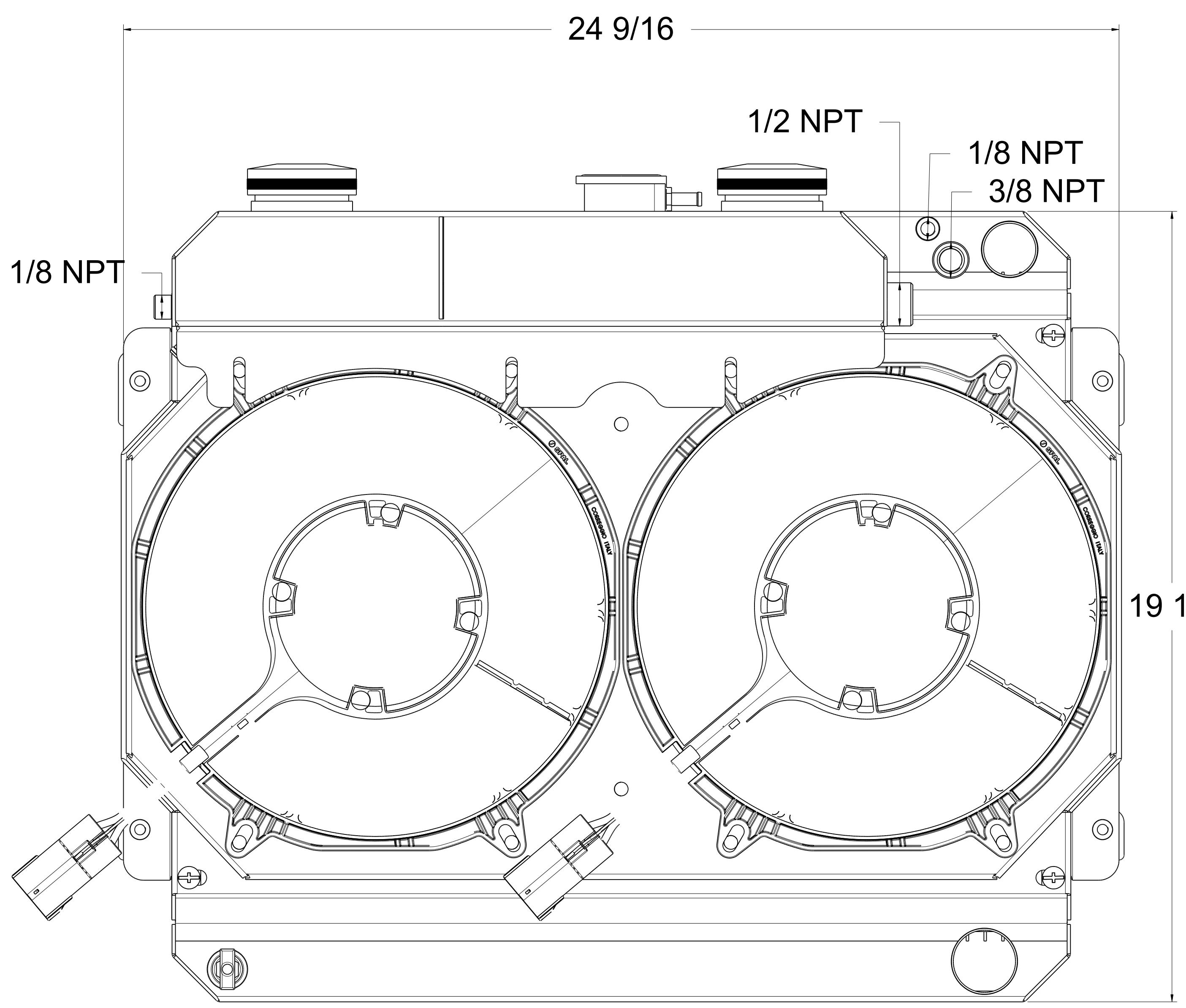
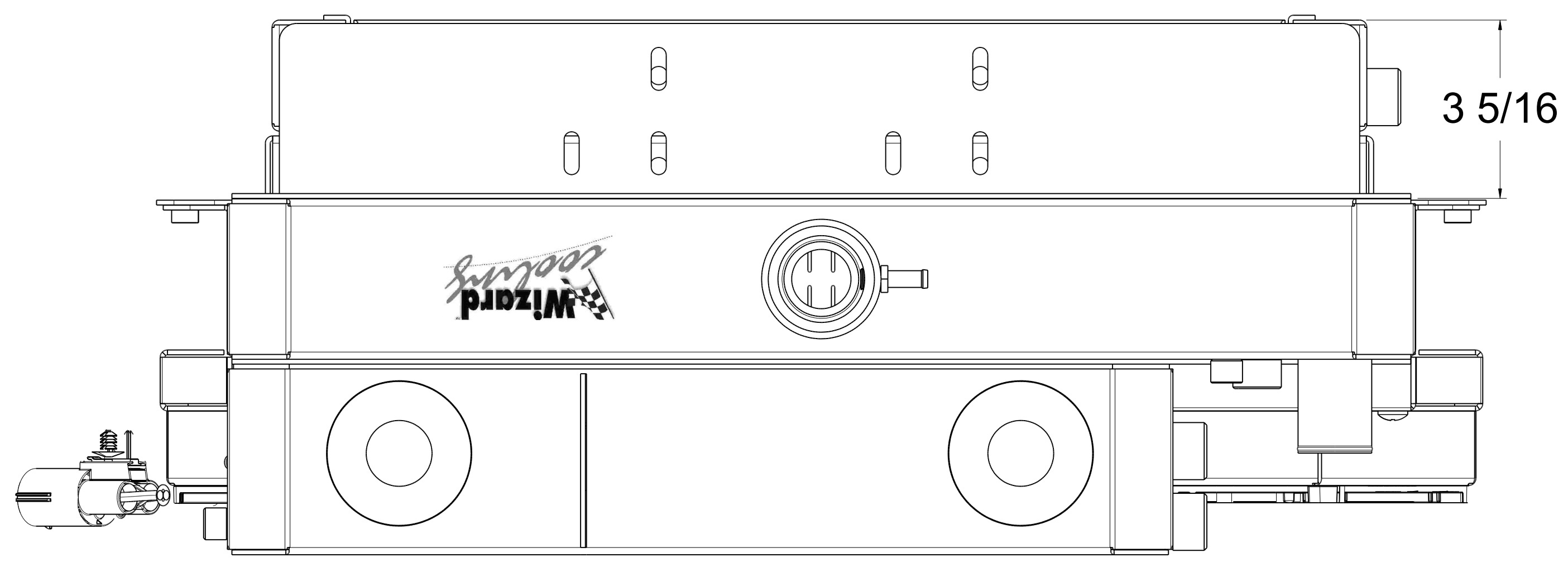


REVISIONS				
ZONE	REV	DESCRIPTION	DATE	APPROVED



DRAWN	DATE
CHECKED	
QA	
MFG	
APPROVED	

Title: **1673-202LSBLACINXX**

SIZE	FSCM NO.	DWG NO.	REV
D			
SCALE	1:1	SHEET	