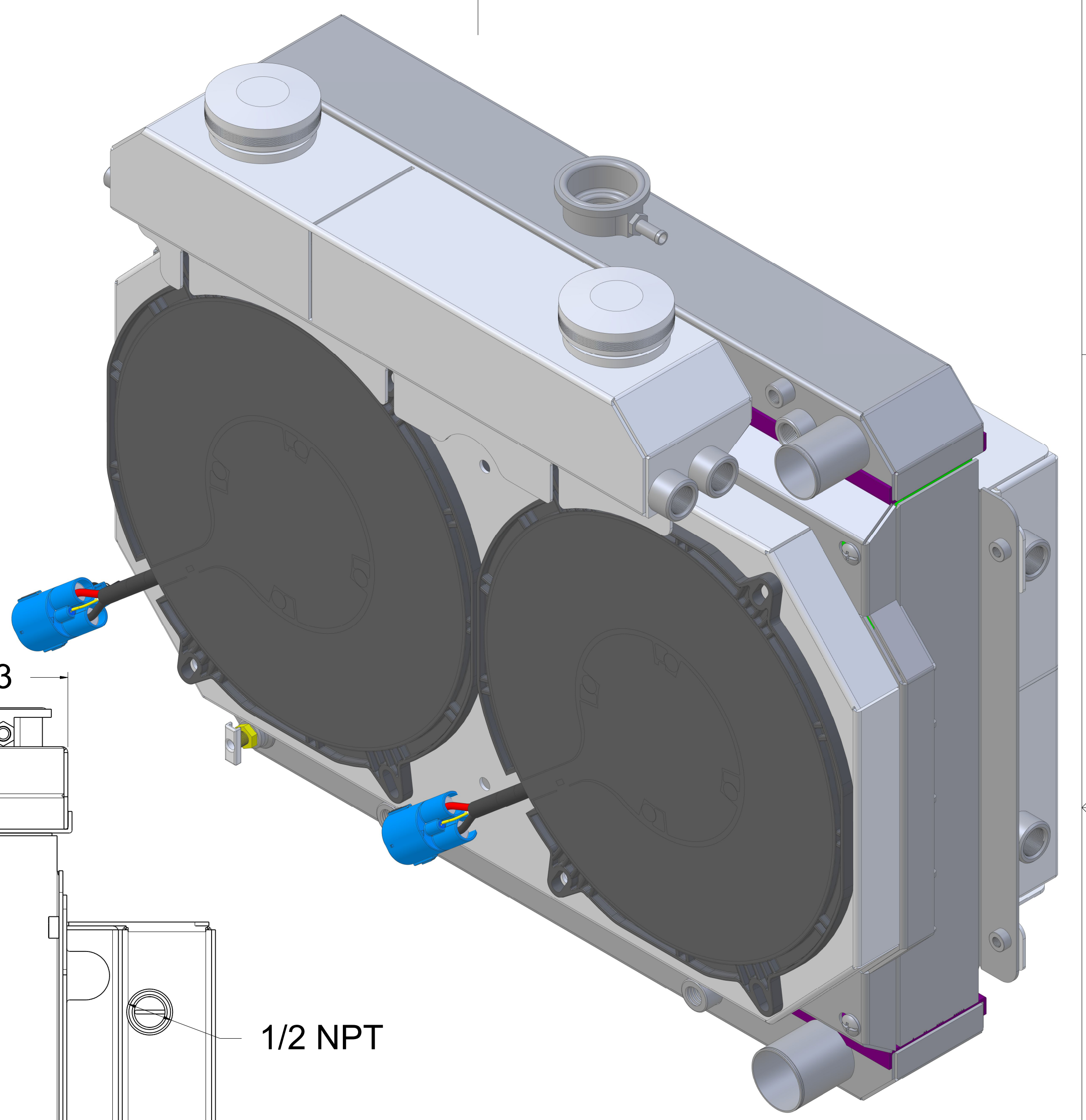
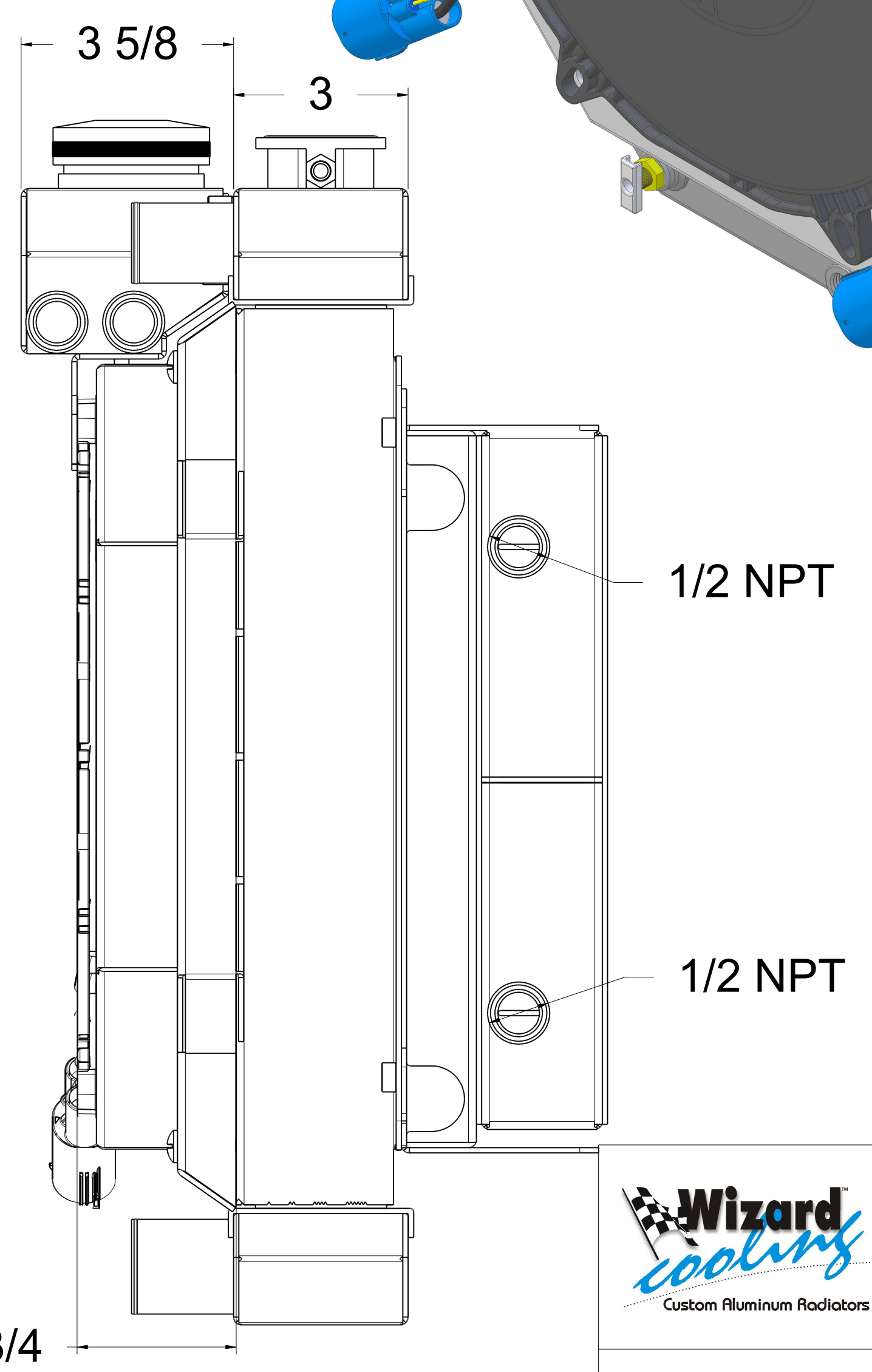
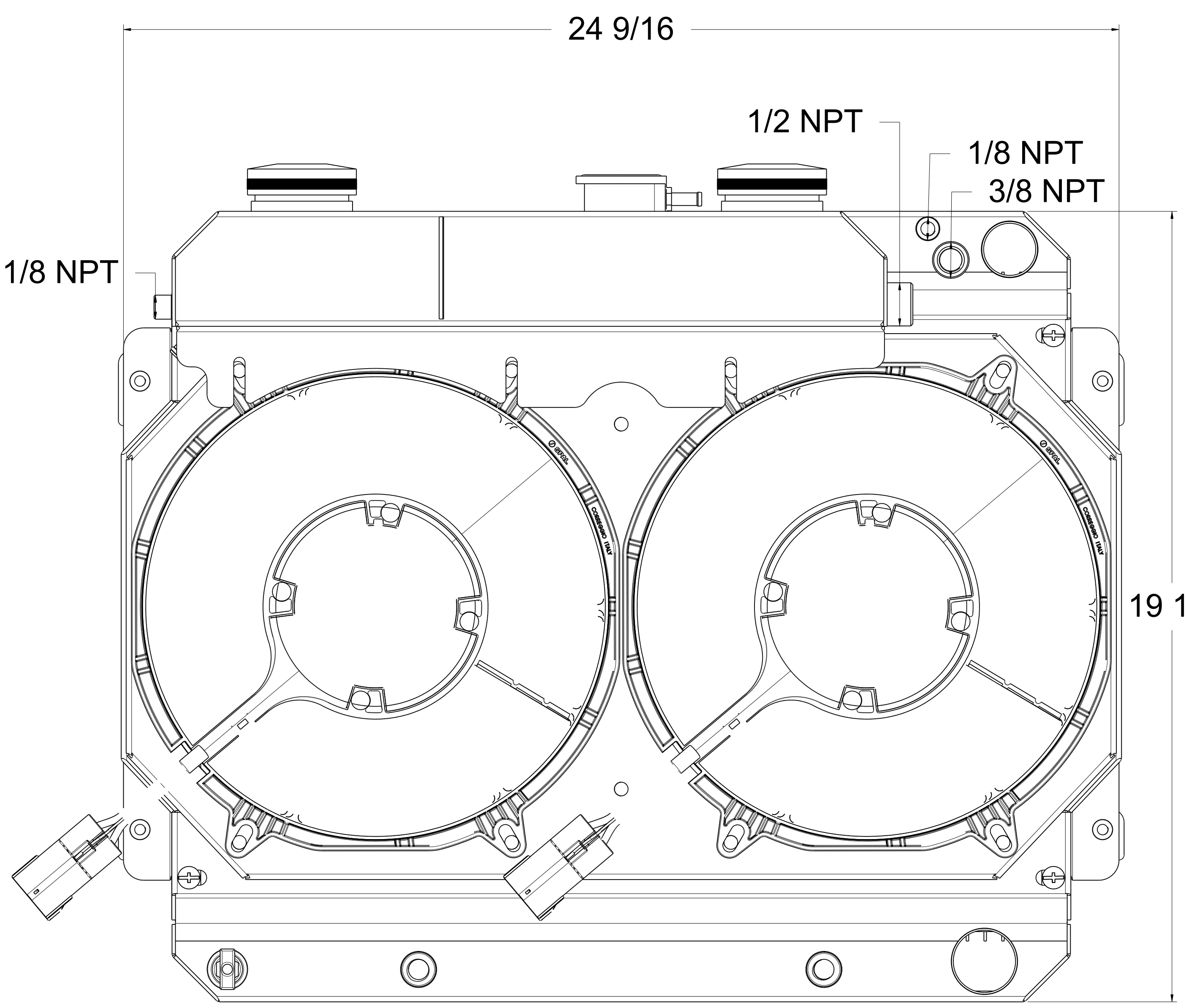
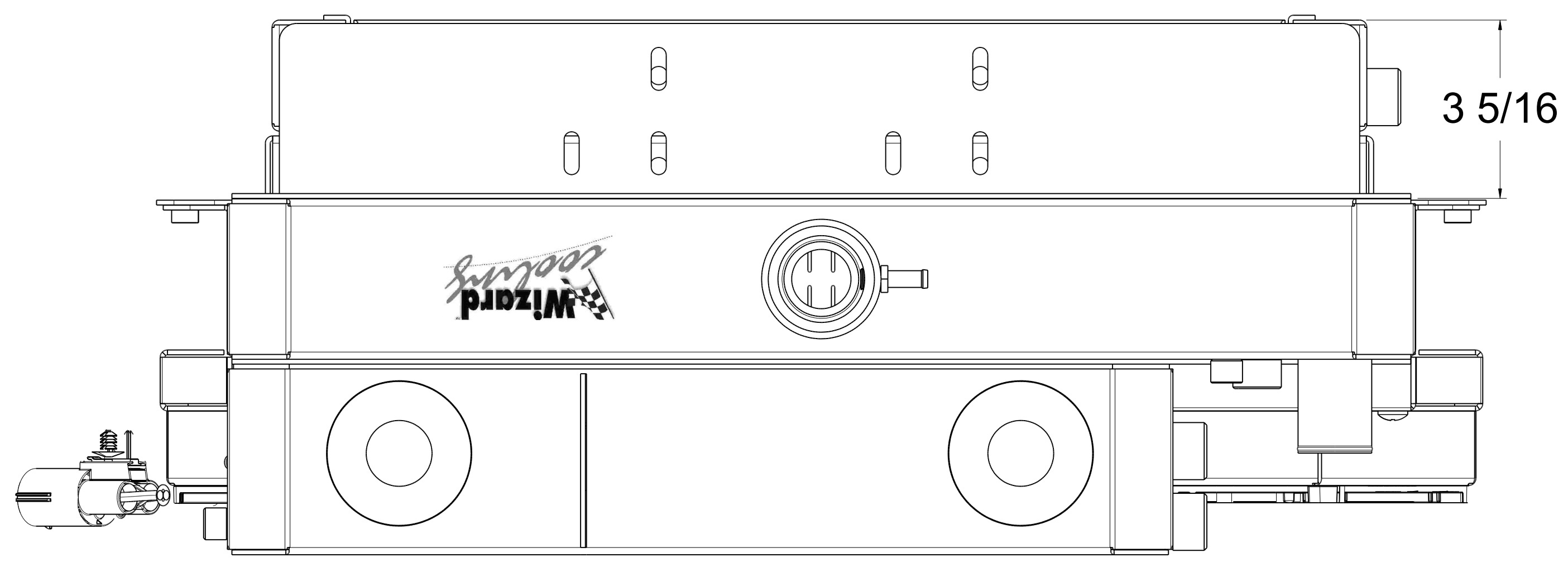


REVISIONS				
ZONE	REV	DESCRIPTION	DATE	APPROVED



DRAWN	DATE	Title: 1673-212LSBLACINXX	
CHECKED			
QA			
MFG			
APPROVED		SIZE: D	
SCALE: 1:1	SHEET	DWG NO.	REV