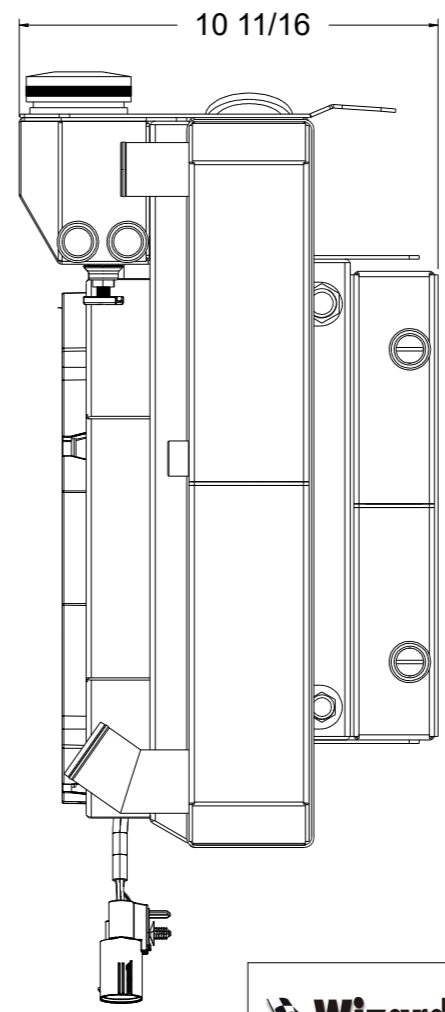
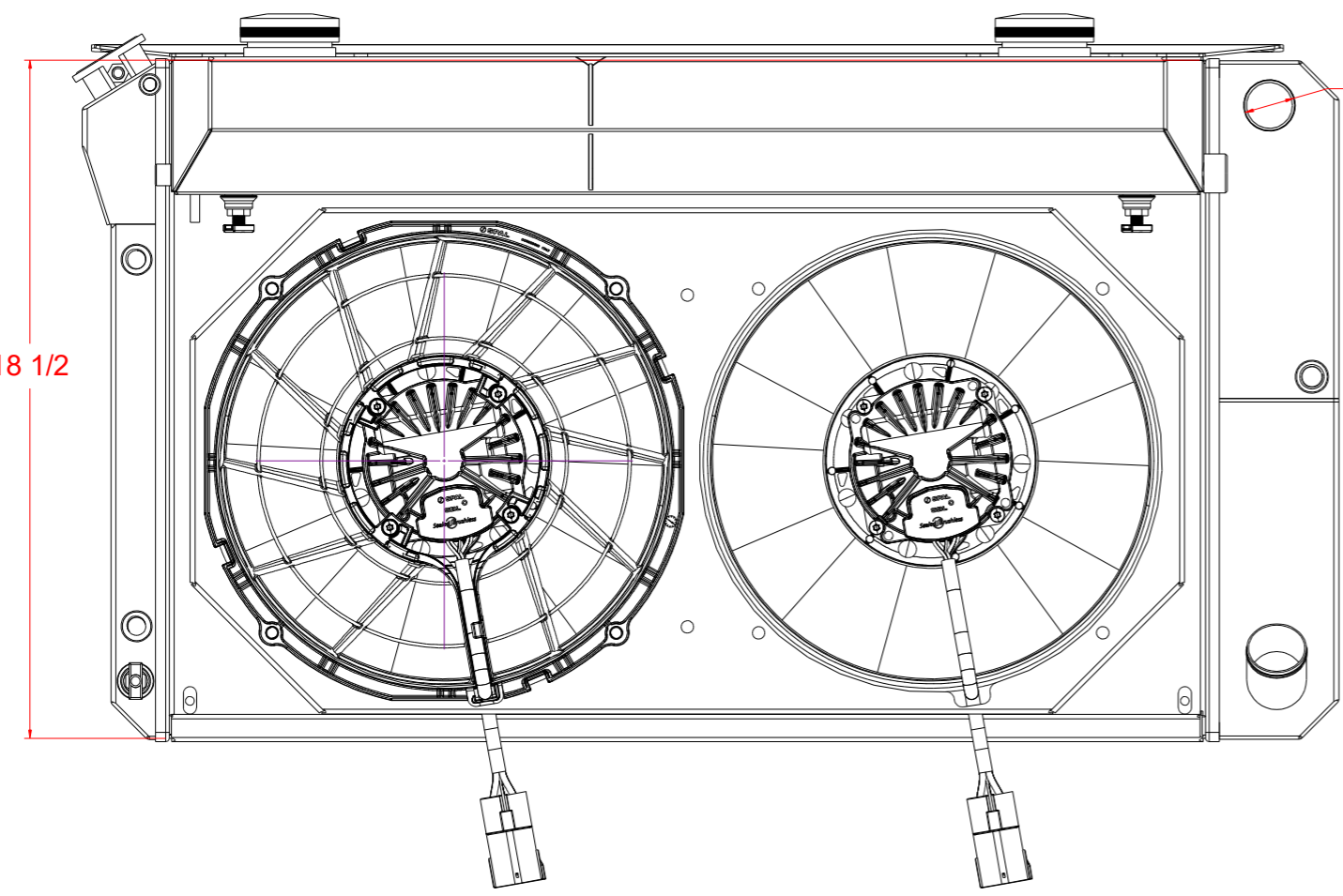
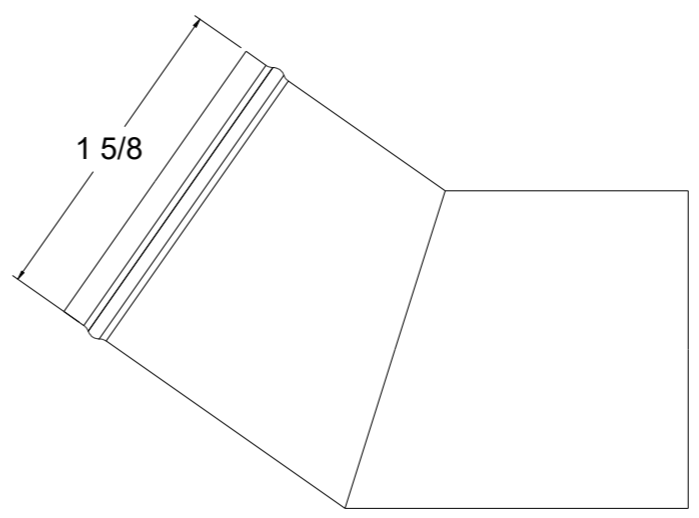
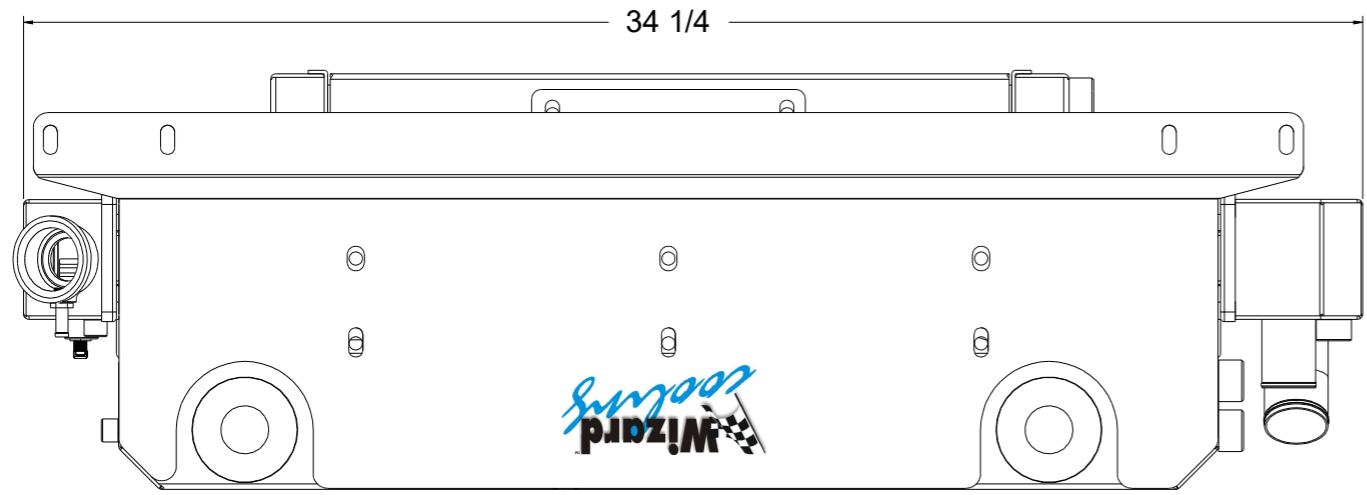


ZONE		REV	DESCRIPTION	DATE	APPROVED



DRAWN	SH	DATE	2/17/23	Title:	
CHECKED				366-212LSBLACXXIN	
QA				SIZE	FSCM NO.
MFG				DWG NO.	REV
APPROVED				D	-
SCALE 1:1				SHEET	