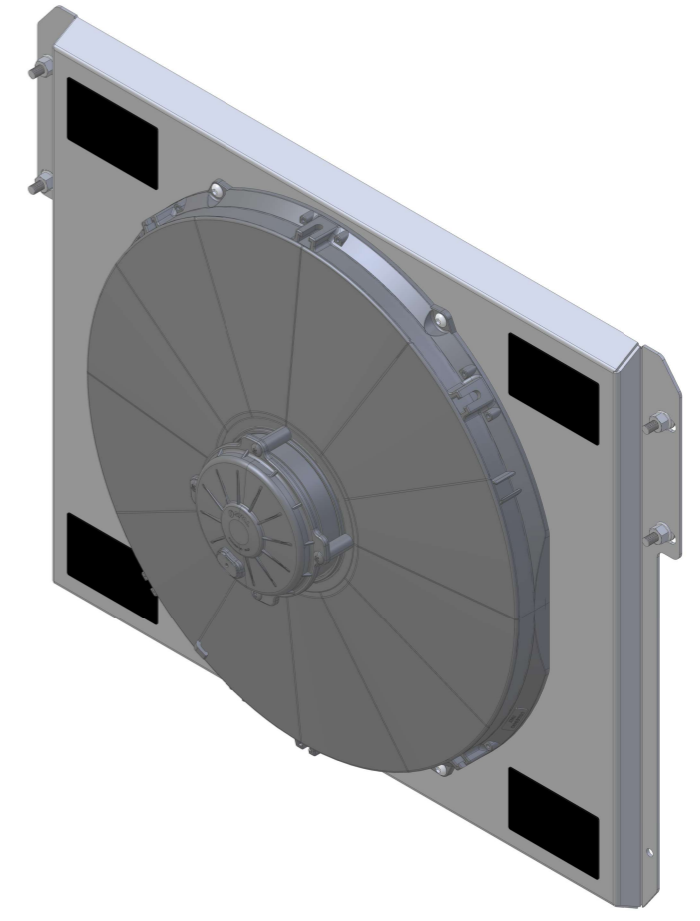
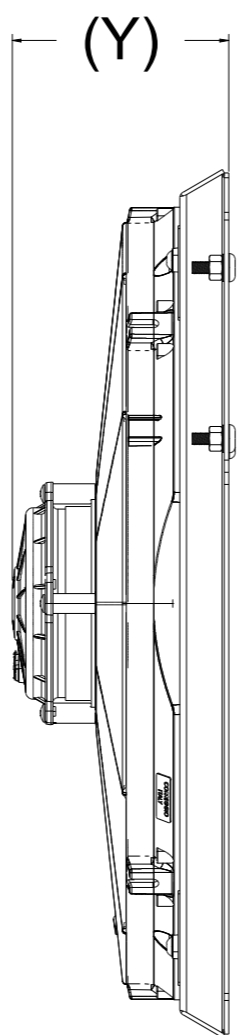
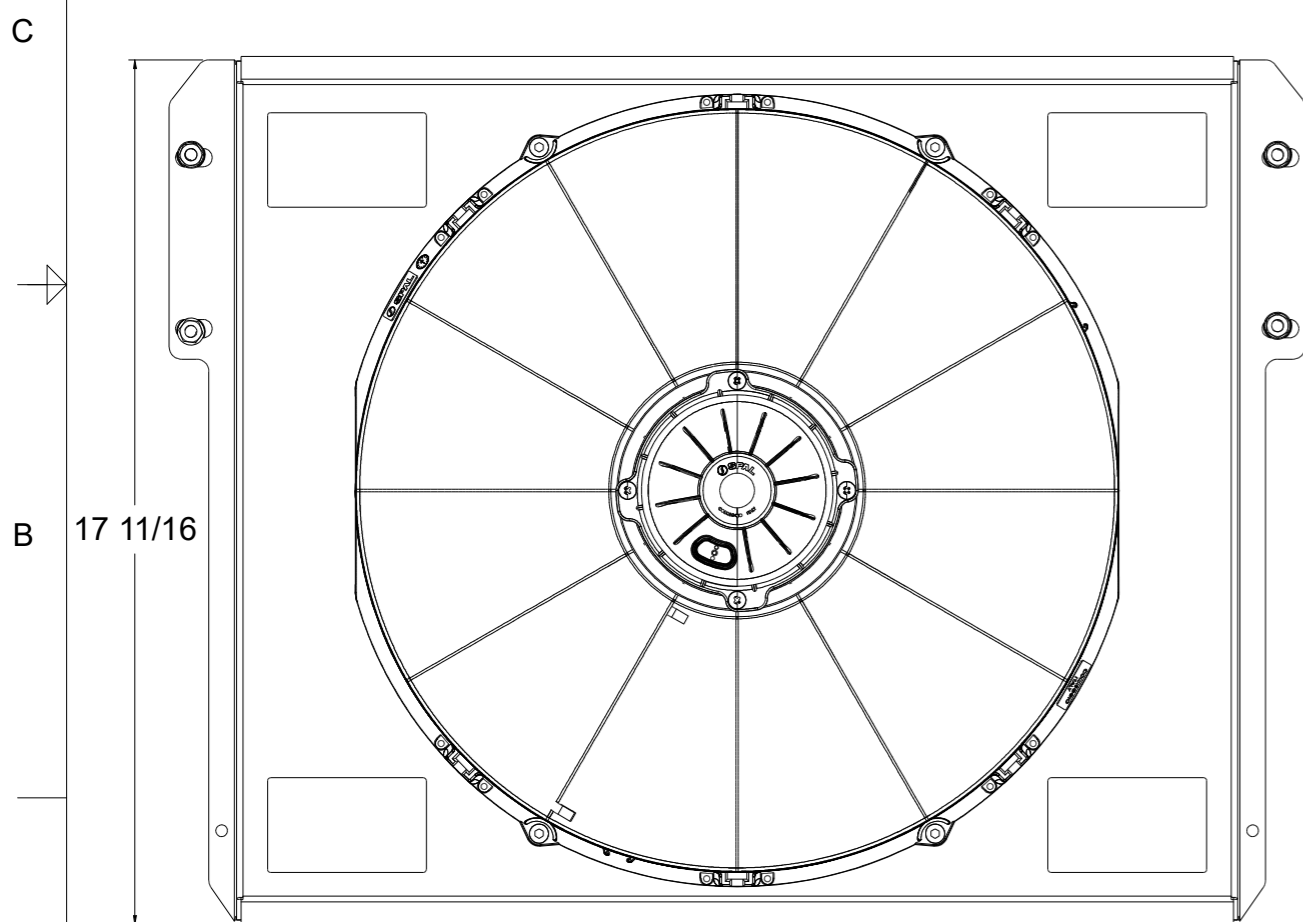
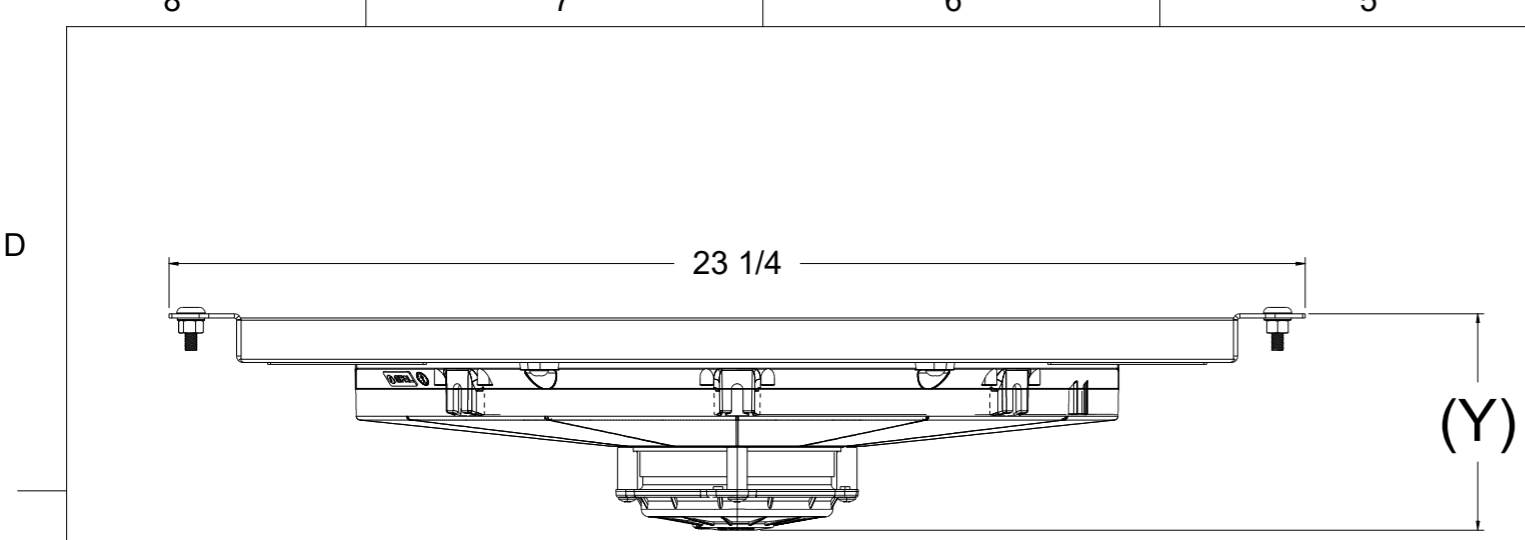


8 7 6 5 4 3 2 1



Assembly part #	Fan Type	Package Thickness	Fan Part#
1629-008LP	Low Profile	3" (Y)	7-30100400
1629-008MD	Medium Duty	3.5" (Y)	7-30101516
1629-008HP	High Performance	4.0" (Y)	7-30102120

Wizard
cooling

Custom Aluminum Radiators

www.wizardcooling.com

Contact Us:
716-655-6760

Part Number
1-1629-008MD

A B C D

8 7 6 5 4 3 2 1