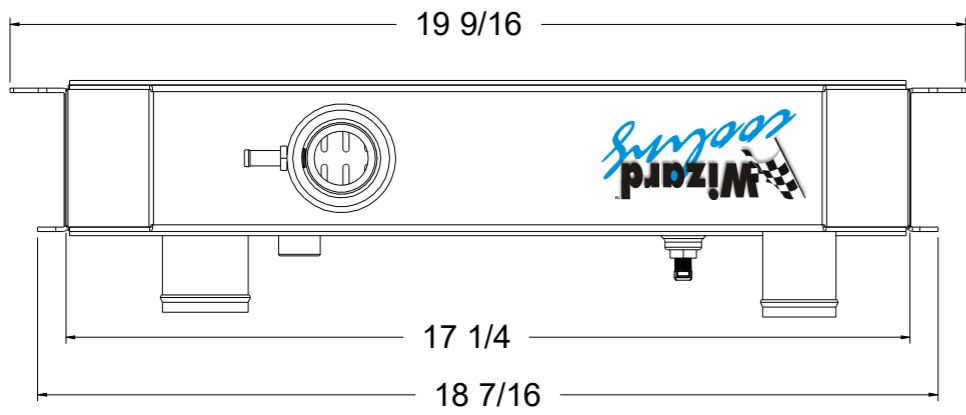


8 7 6 5 4 3 2 1

D



D

C

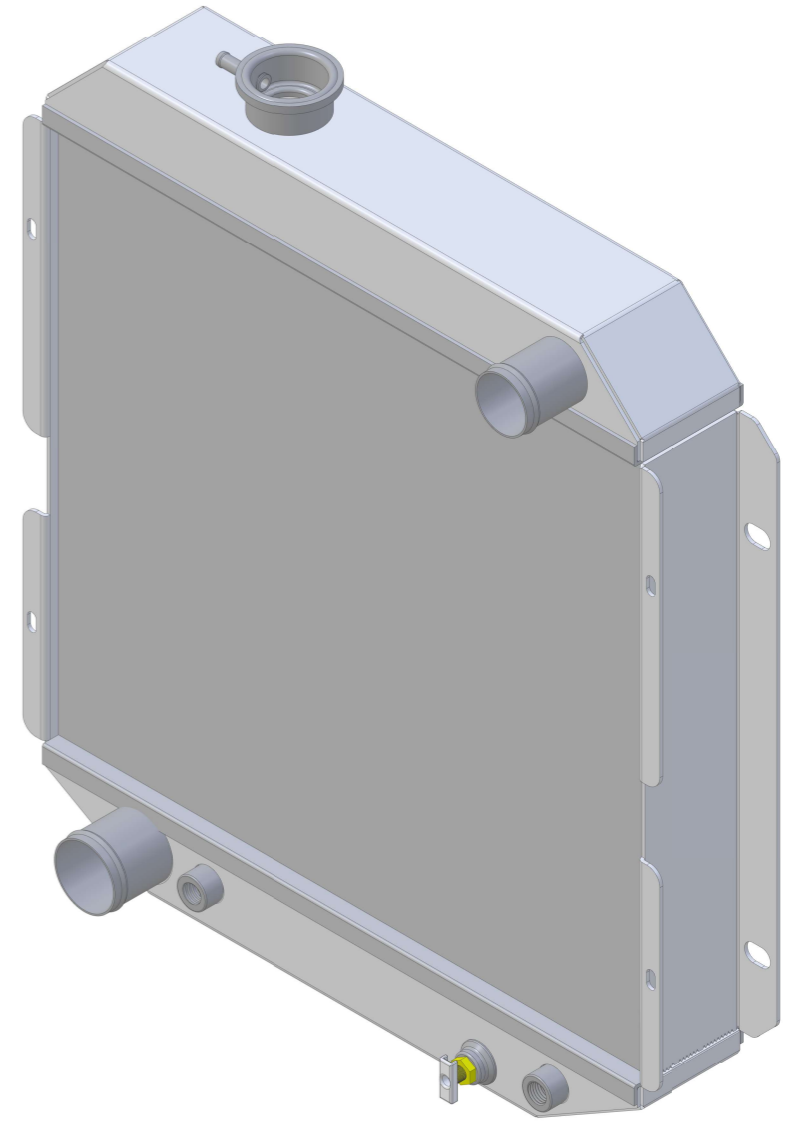
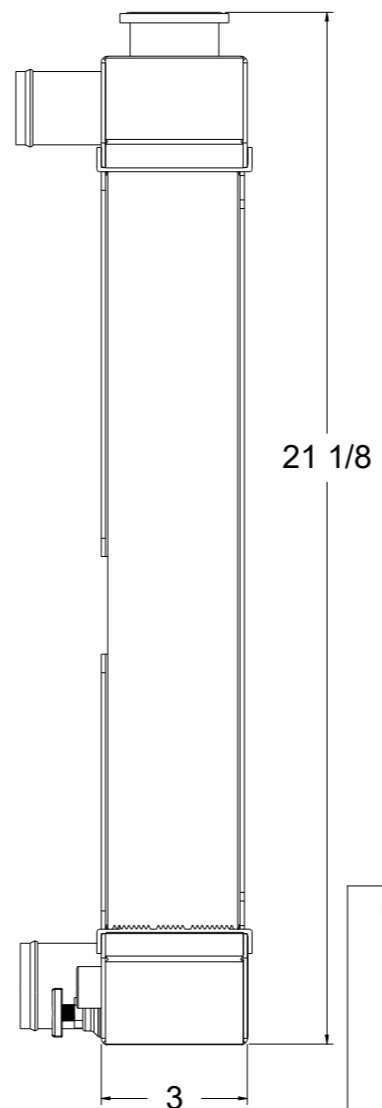
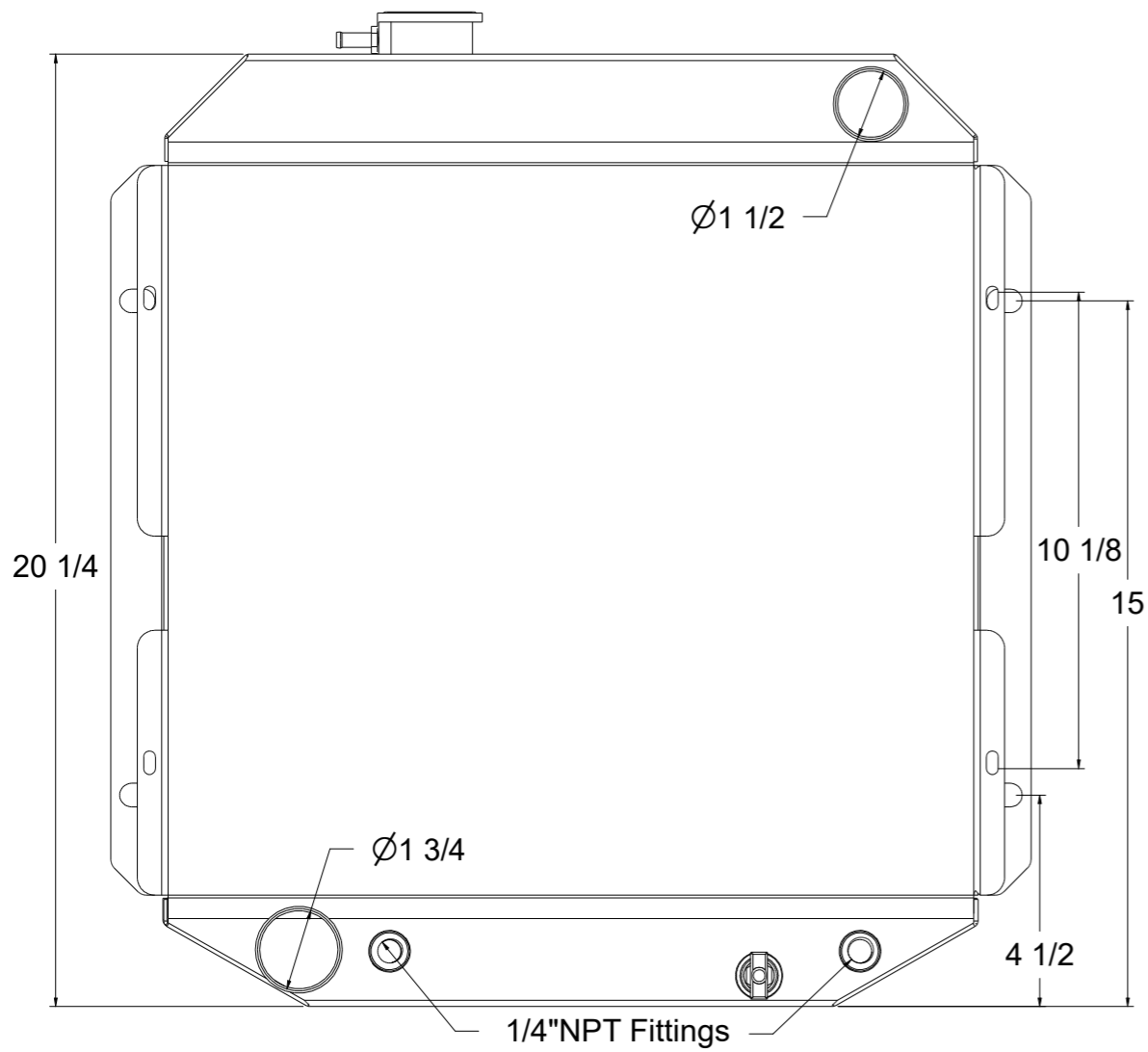
C

B

B

A

A



Assembly Part #	Transmission	Core Layout	Core Thickness
1-251-100	Manual	2 Rows of 1" Tube 2.25"	3"
1-251-110	Automatic	2 Rows of 1" Tube 2.25"	3"
1-251-200	Manual	2 Rows of 1.25" Tube 2.75"	3"
1-251-210	Automatic	2 Rows of 1.25" Tube 2.75"	3"

www.wizardcooling.com

Contact Us:
716-655-6760

Part Number
1964.5-1966 Ford Mustang
1-251-Radiator

8 7 6 5 4 3 2 1

* Manual Vehicles - Delete Internal Transmission Oil Cooler