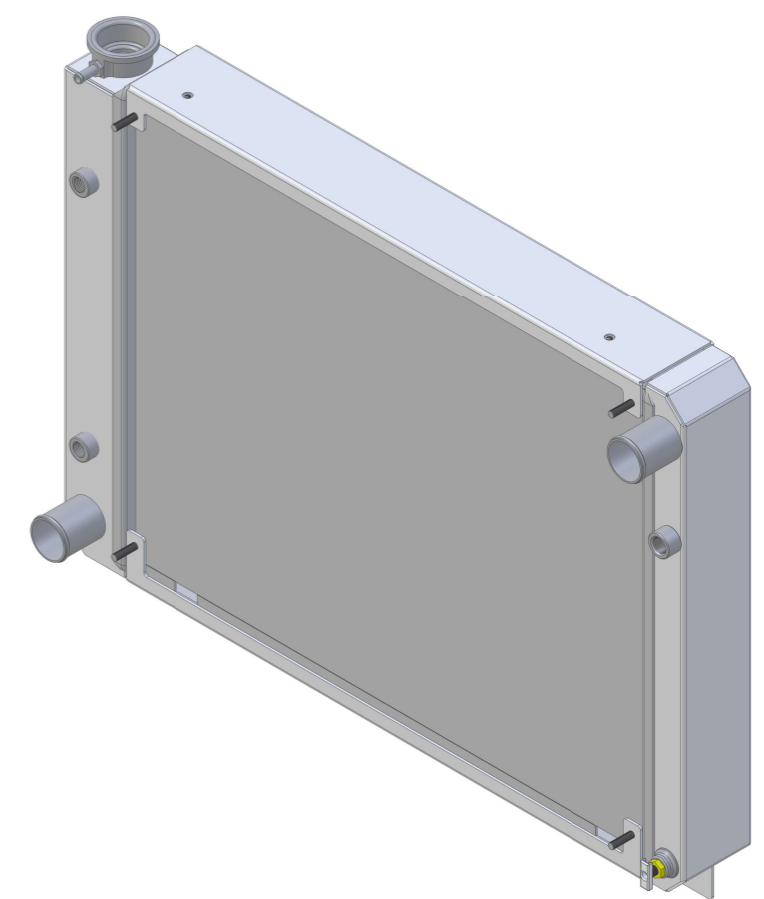
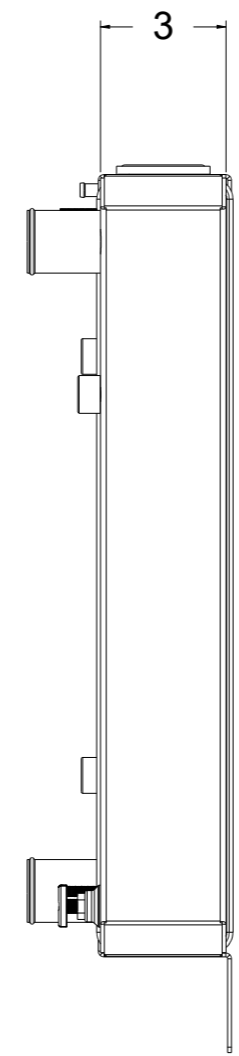
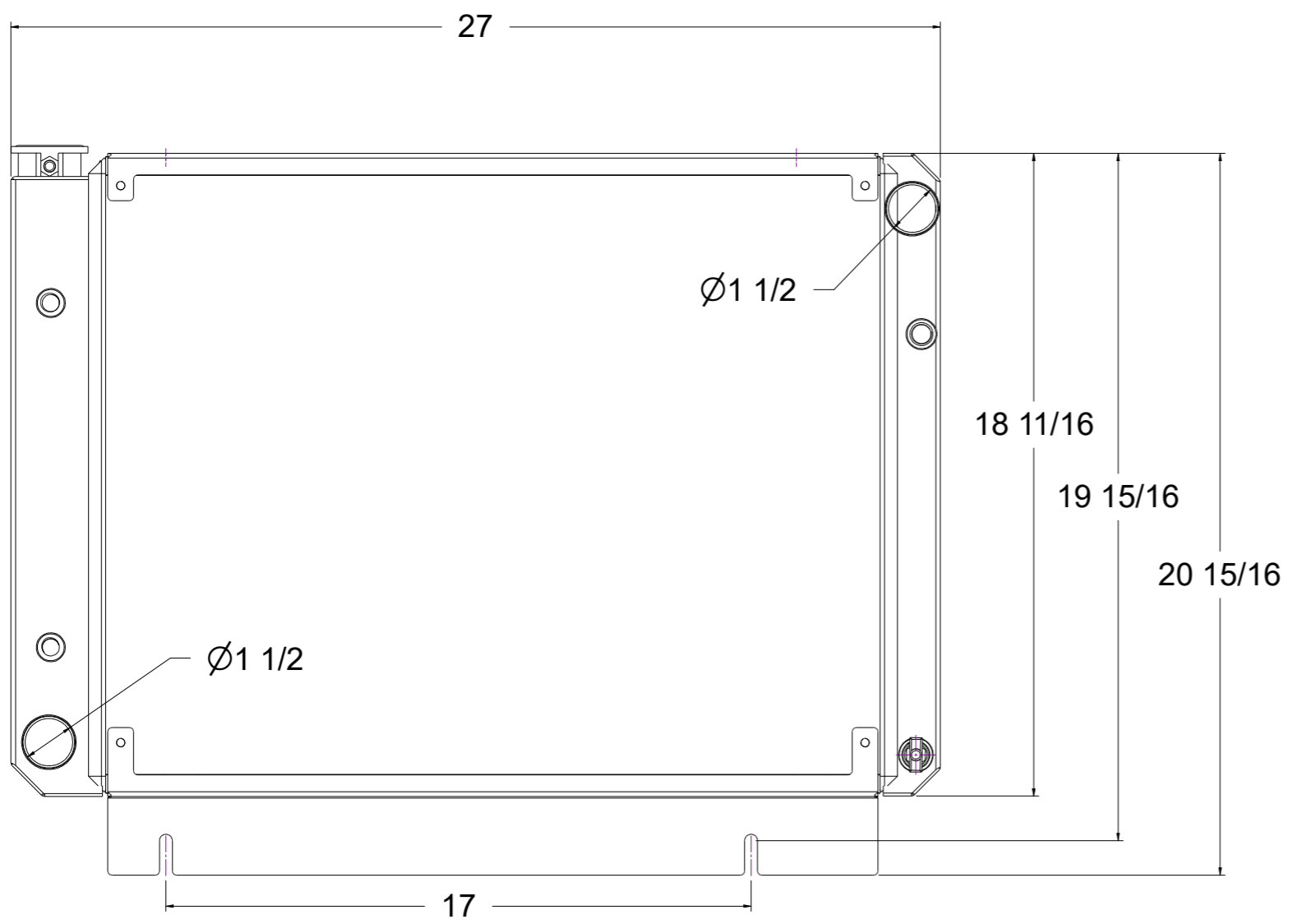



REVISIONS			
ZONE	REV	DESCRIPTION	DATE

SKU #	Transmission	Core Size
1-383-100CS	Manual	Standard (2 Rows Of 1" Tubes)
1-383-110CS	Automatic	
1-383-200CS	Manual	Upgraded (2 Rows Of 1.25" Tubes)
1-383-210CS	Automatic	



 <b>Wizard Cooling</b> Custom Aluminum Radiators	DRAWN	JAW	DATE	10/28/20	Coyote Swap Radiator			
	CHECKED				Title:			
	QA				<b>1-383-CS Radiator</b>			
	MFG				SIZE	FSCM NO.	DIWG NO.	REV
APPROVED				D			-	
SCALE: 1:1				SHEET				