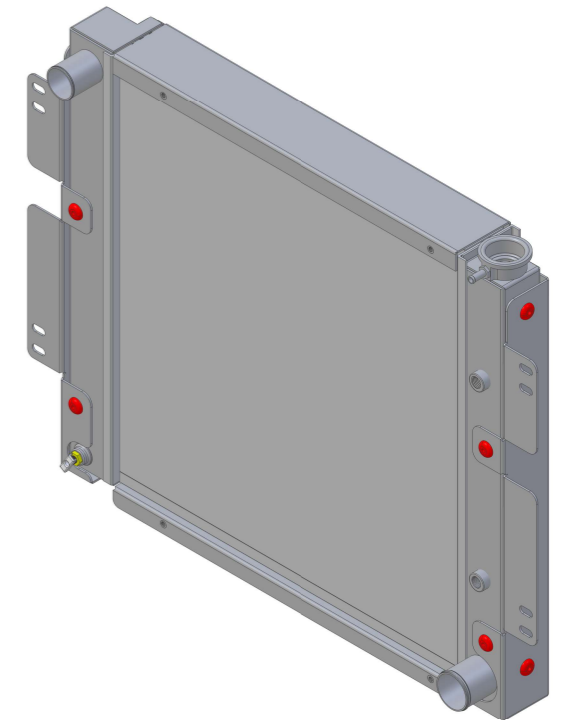
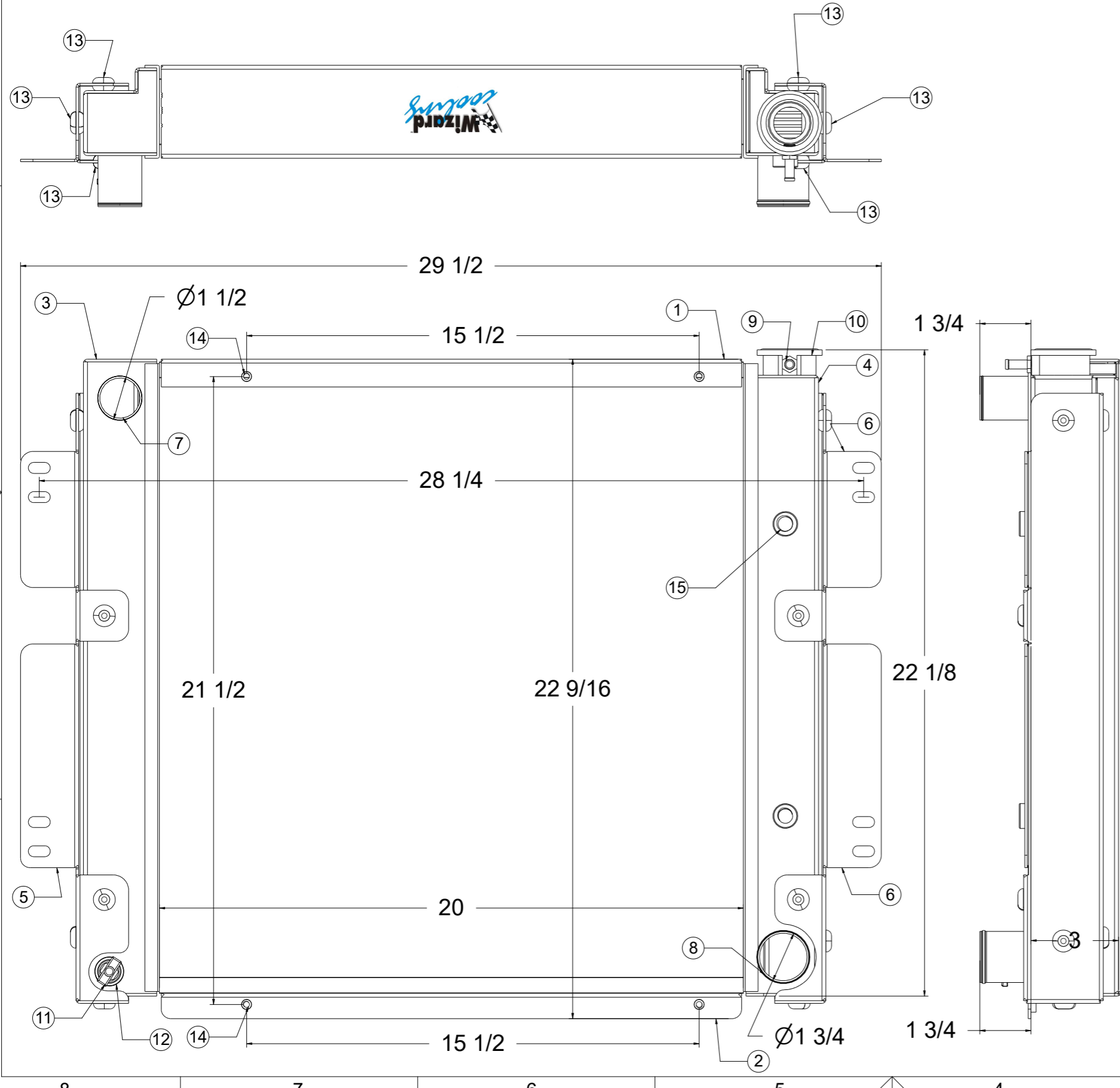


8 7 6 5 4 3 2 1

REVISIONS				
ZONE	REV	DESCRIPTION	DATE	APPROVED



D  
C  
B  
A



Assembly Part #	Oil Cooler	Pass Side Tank	Core Size
139-100GMRM	N/A	4-00477	2-20x21.5x2.25
139-110GMRM	9-5PLTx10x1	4-00478	
139-200GMRM	N/A	4-00477	2-20x21.5x2.75
139-210GMRM	9-5PLTx10x1	4-00478	

Item Number	Quantity	Part Number	Part Name	Revision	Comment
1	1	4-00342	Top Channel		
2	1	4-00343	Bottom Channel		
3	1	4-00476	Driver Side Inlet Tank		
4	1	See Table	Passenger Side Outlet Tank		
5	1	4-02488	Driver Side Soft Mount		
6	1	4-02489	Passenger Side Soft Mount		
7	1	3-006	1.5" Inlet Pipe		
8	1	3-007	1.75" Outlet Pipe		
9	1	3-034	Overflow Tube		
10	1	3-035	Filleneck		
11	1	3-100	Petcock		
12	1	3-104	Drain Bung		
13	14	3-1061T169	Rubber Grommets		
14	4	3-PEMCLS-0420-1-SS	1/4-20 PEM		
15	1	See Table	5 Plate Oil Cooler		
16	1	See Table	Core Center		

<p>Custom Aluminum Radiators</p>	DRAWN	SH	DATE	4-19-23	Base Radiator (Chevy V8)		
	CHECKED				Title:		
	QA				<b>1-139-GM Radiator</b>		
	APPROVED				SIZE	FSCM NO.	DIWG NO.
				D			-
				SCALE	1:1		SHEET

8 7 6 5 4 3 2 1