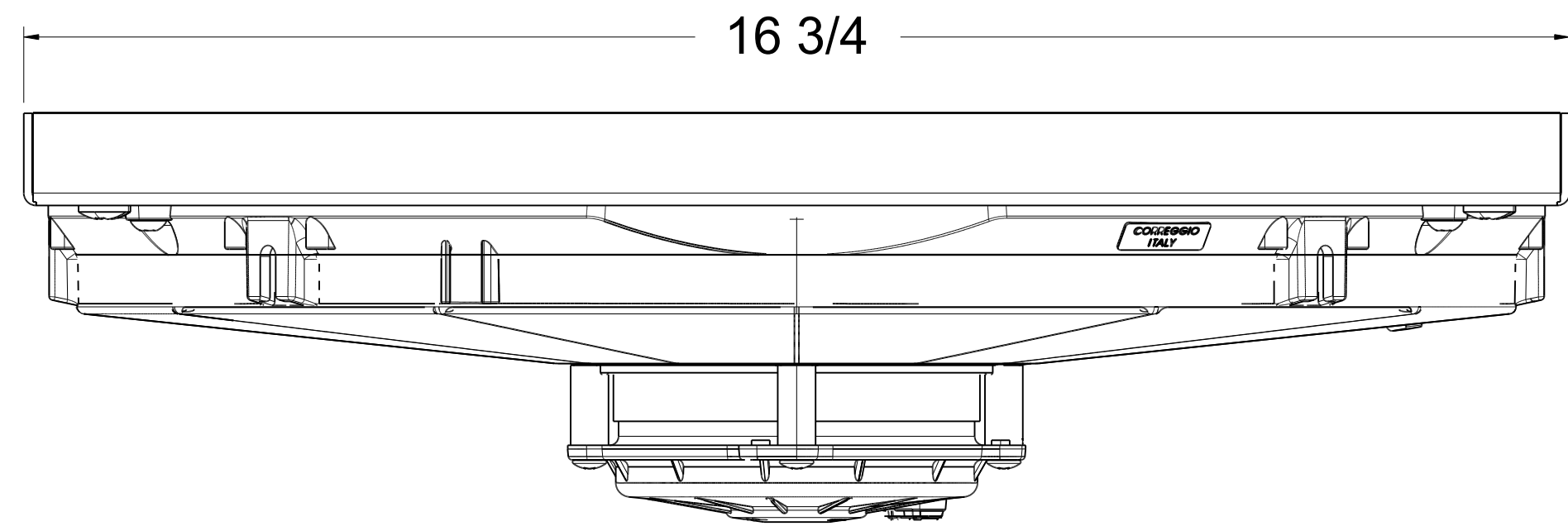
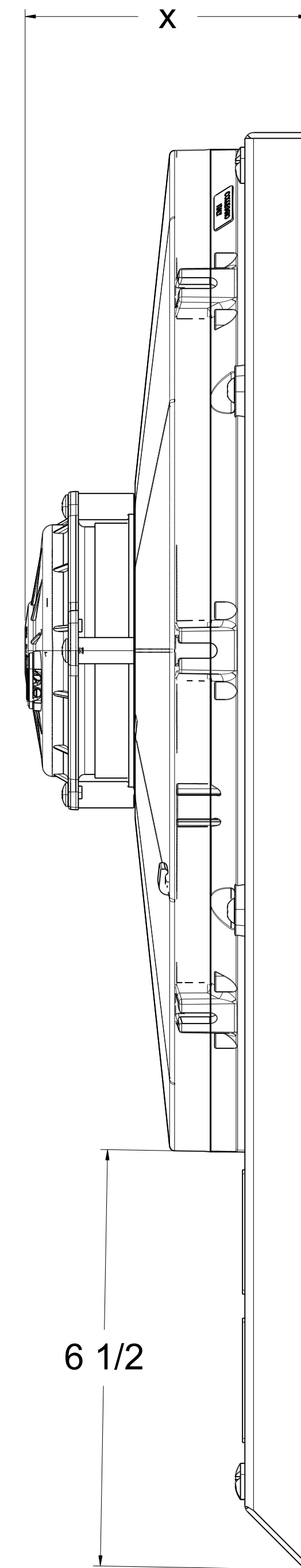
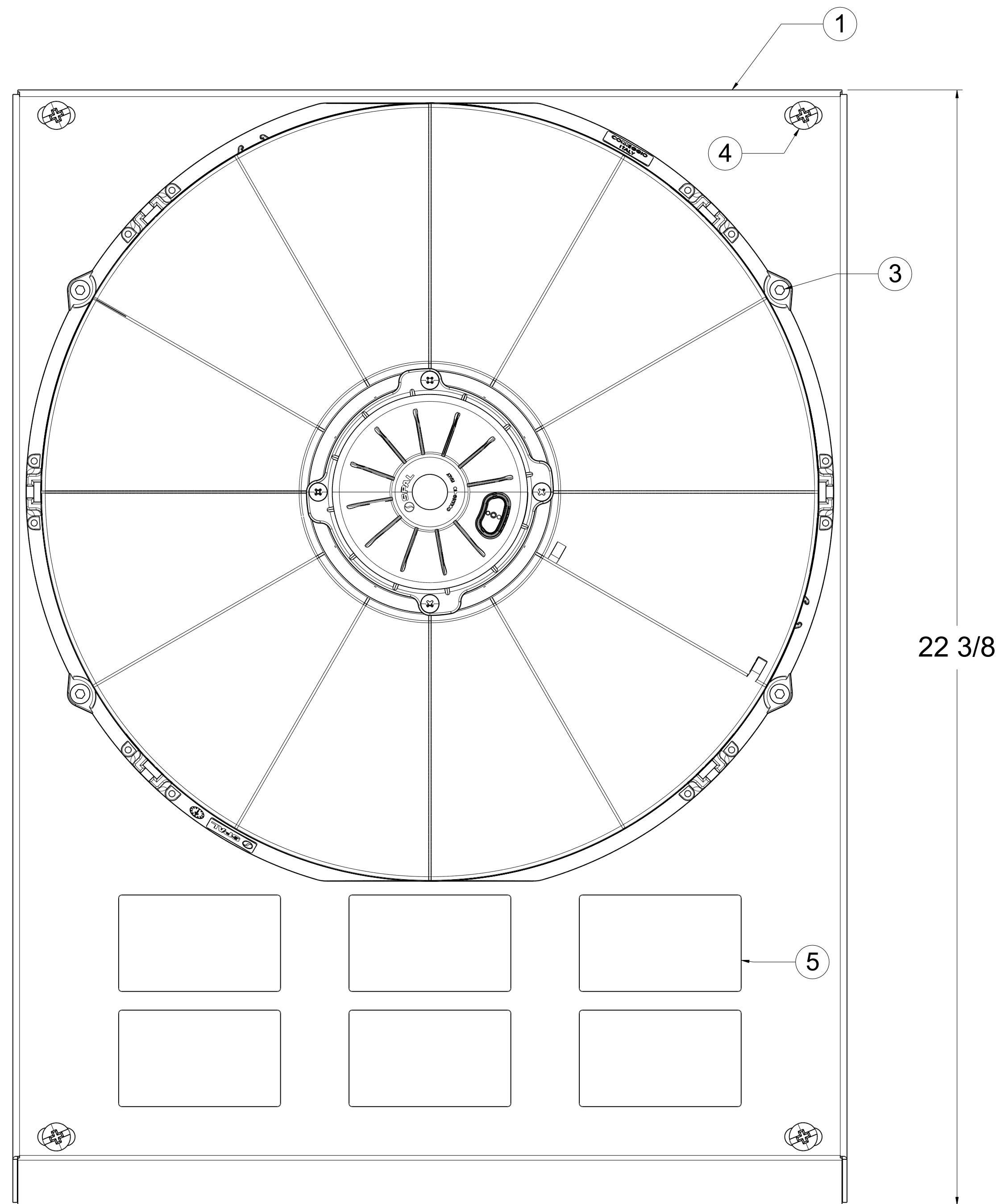
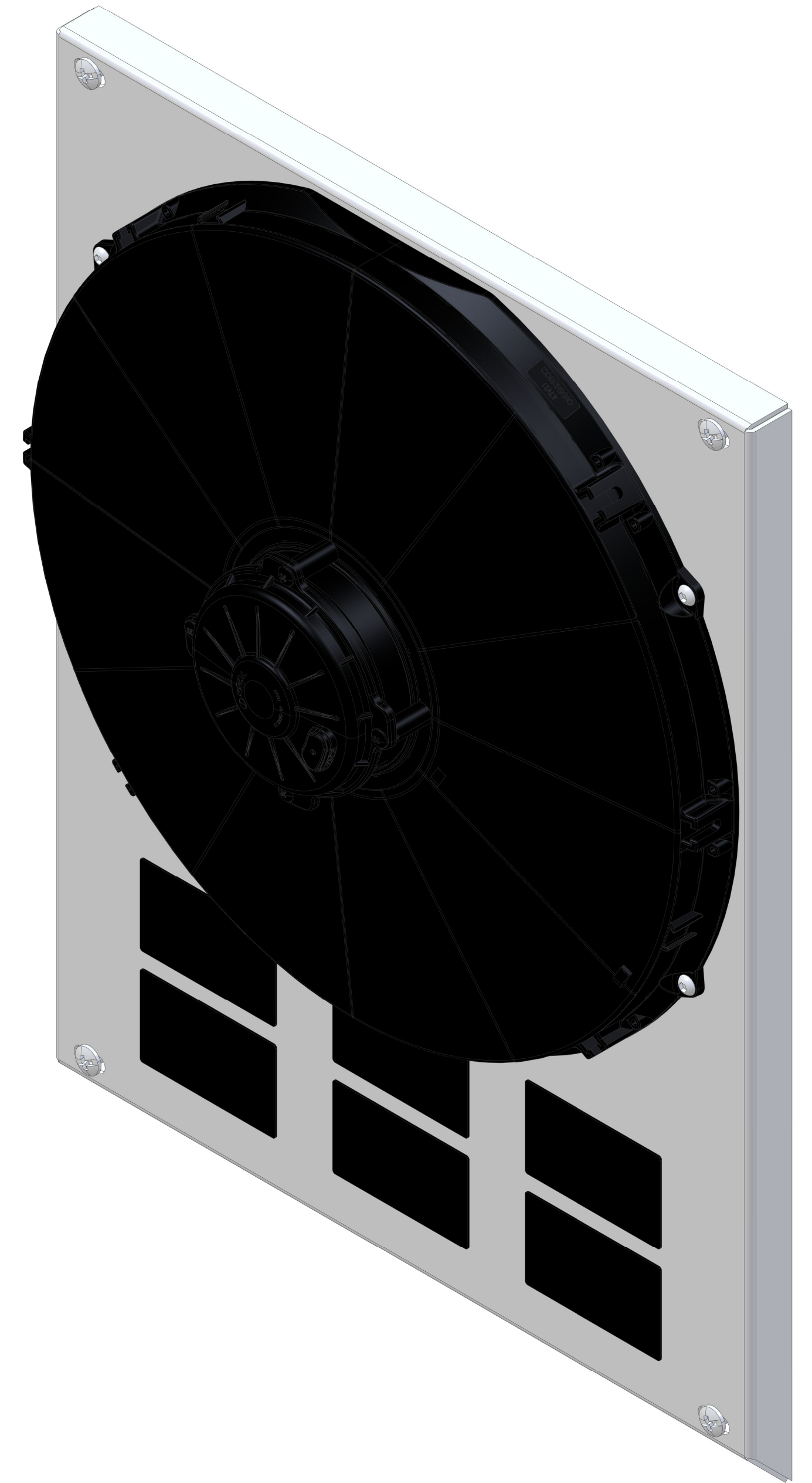


8 7 6 5 4 3 2 1

ZONE		REV	DESCRIPTION	DATE	APPROVED



SKU #	Fan Type	Fan Part #	Dimension "X"
1-10502-008LP	Low Profile	7-30100400	3"
1-10502-008MD	Medium Duty	7-30101516	3.5"
1-10502-008HP	High Performance	7-30102120	4.5"



Item Number	Quantity	Part Number	Part Name
1	1	4-04239	Shroud
2	4	3-PEMCLS-M6-1-SS	Self Clinching Nut (M6 x 1)
3	4	3-BSC-M6 x 10-SS	BHS Cap Screw (M6 x 1 x 10)
4	4	3-99637A244	Binding Barrel (.25-20 x .75")
5	6	7-30130012	Rubber Fan Flap



DRAWN SH	DATE 2-6-24	1938 Chevrolet Street Rod	
CHECKED		Title: <b>1-10502-008</b>	
QA		SIZE D	REV -
MFG		FSCM NO.	DWG NO.
APPROVED		SCALE 1:1	SHEET

8 7 6 5 4 3 2 1