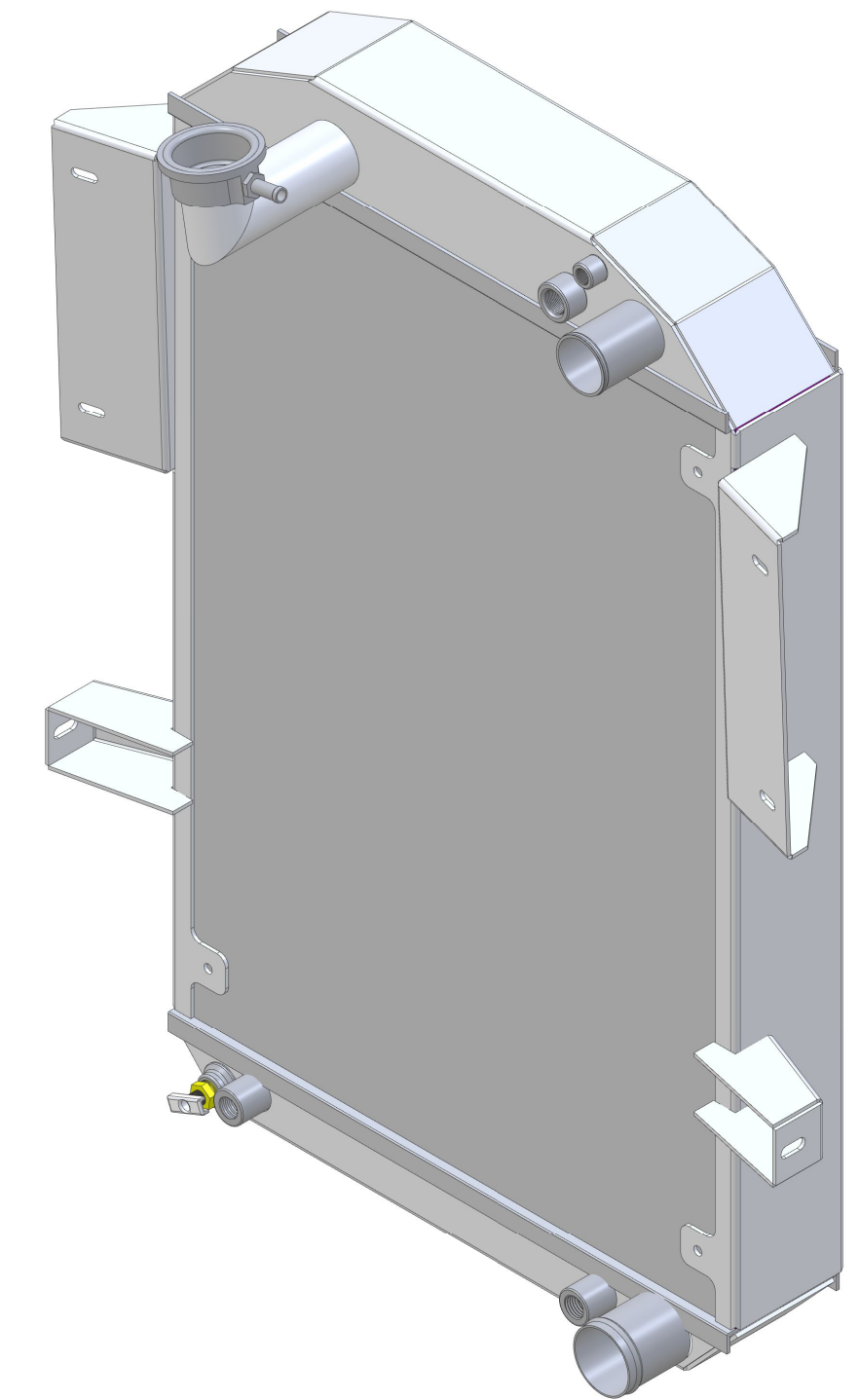
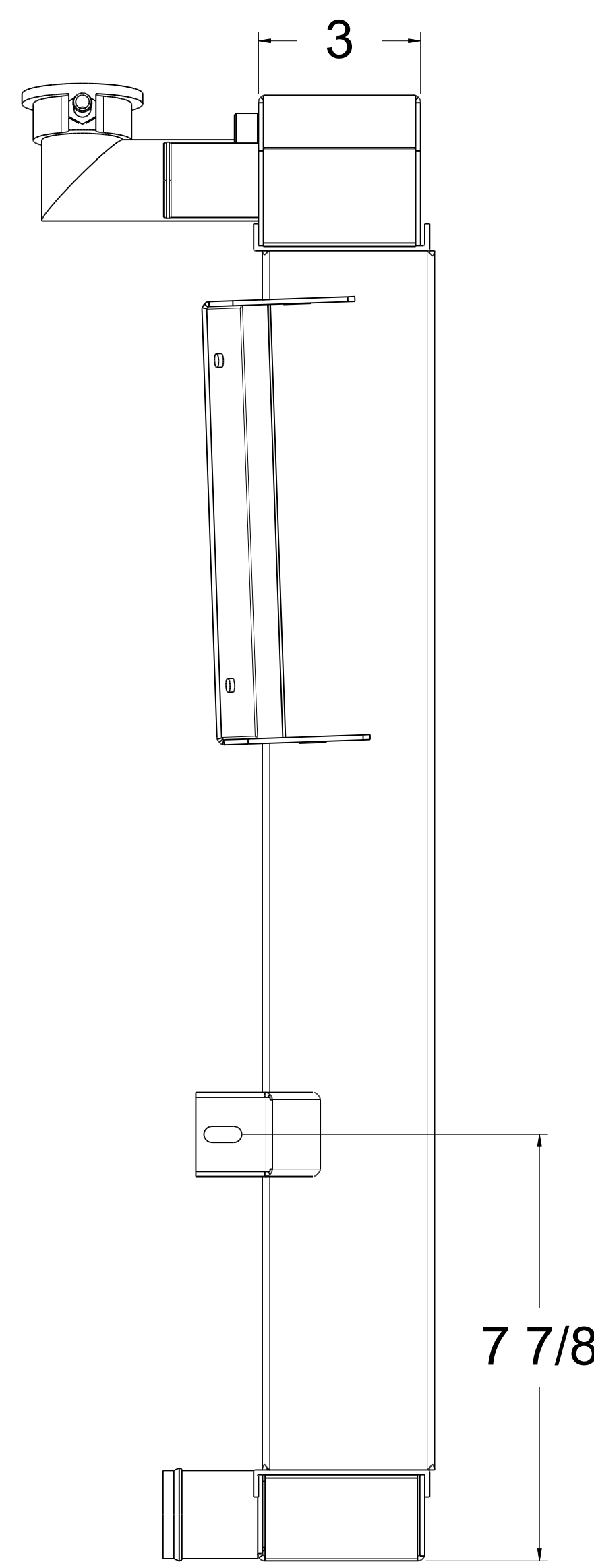
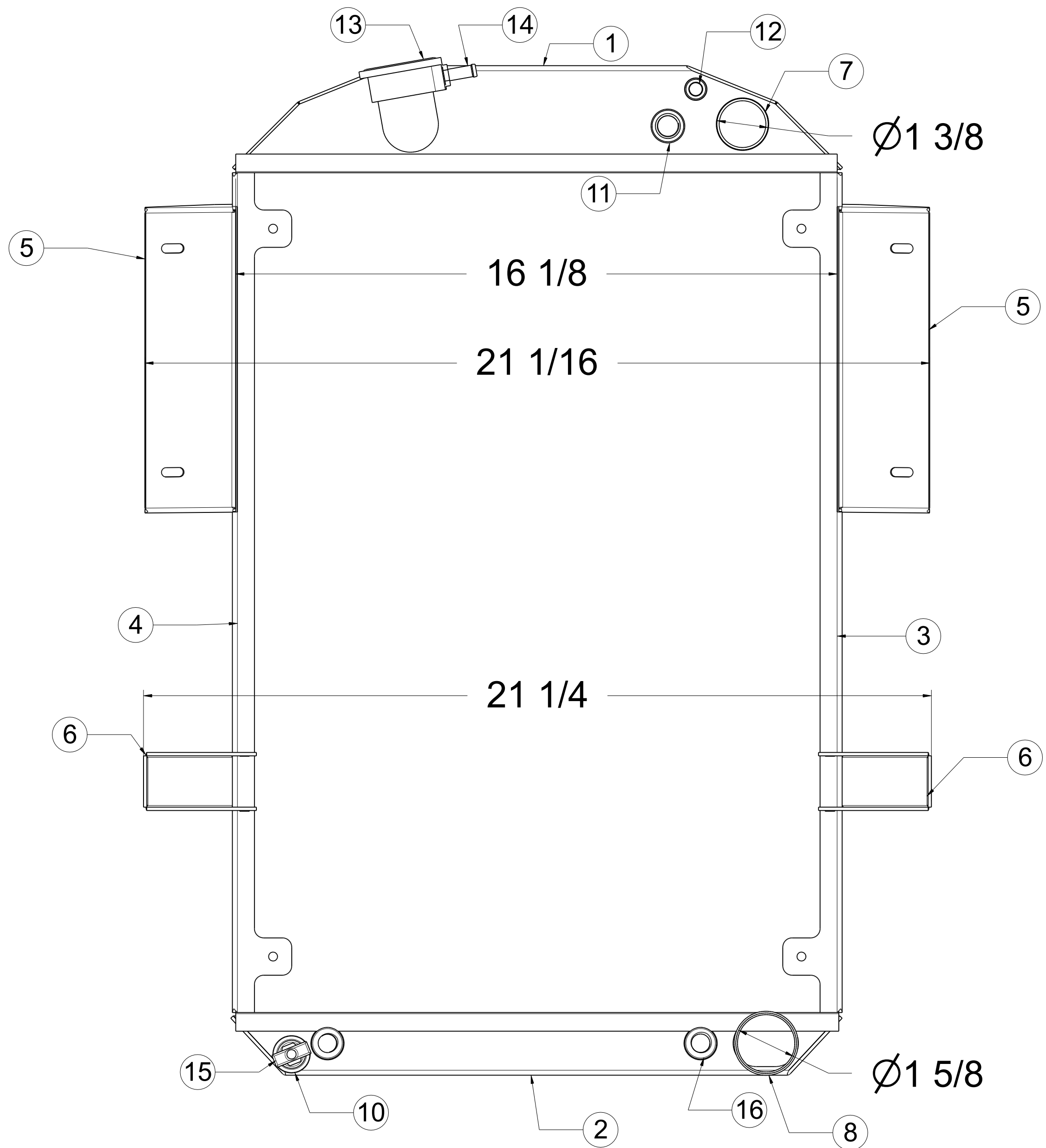


REVISIONS		DATE	APPROVED
ZONE	REV	DESCRIPTION	



Assembly Part #	Outlet Tank Part #	Oil Cooler Part #	Core Part #
1-10505-100	4-06198	N/A	2-22.5x18.5x2.25
1-10505-110	4-06197	9- 5 PLT x 10 x 1	
1-10505-200	4-06198	N/A	2-22.5x18.5x2.75
1-10505-210	4-06197	9- 5 PLT x 10 x 1	



Item Number	Quantity	Part Number	Part Name	Revision	Comment
1	1	4-06196	Inlet Tank		
2	1	See Table	Outlet Tank		
3	1	4-00768	Passenger Siderail		
4	1	4-00769	Drivers Siderail		
5	2	4-00770	Top Brackets		
6	2	4-00771	Bottom Brackets		
7	1	3-014	1.375" Inlet Pipe		
8	1	3-010	1.625" Outlet Pipe		
9	1	3-006	Fillerneck Extension		
10	1	3-104	Drain Bung		
11	1	3-105	.375 Bung		
12	1	3-106	.125 Bung		
13	1	3-035	3-035 (fillerneck)		
14	1	3-034	Overflow Tube		
15	1	3-100	Petcock		
16	1	See Table	Oil Cooler		
17	1	See Table	Core Center		

Custom Aluminum Radiators

DRAWN: SH DATE: 10-19-23

CHECKED:

QA:

MFG:

APPROVED:

Title:

1-10505-LS Radiator

SIZE: D FSCM NO.: DWG NO.: REV: -

SCALE: 1:1 SHEET: