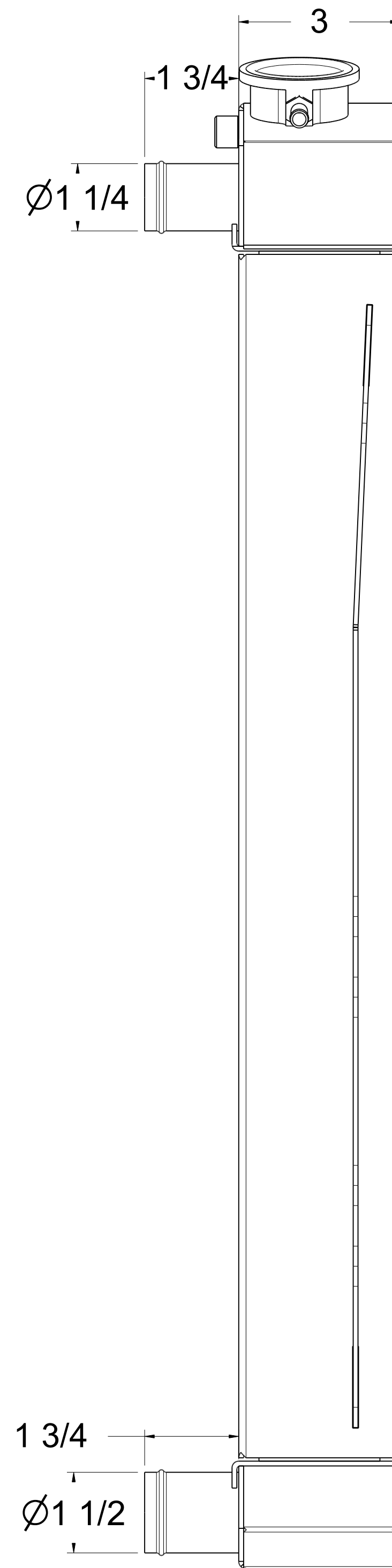
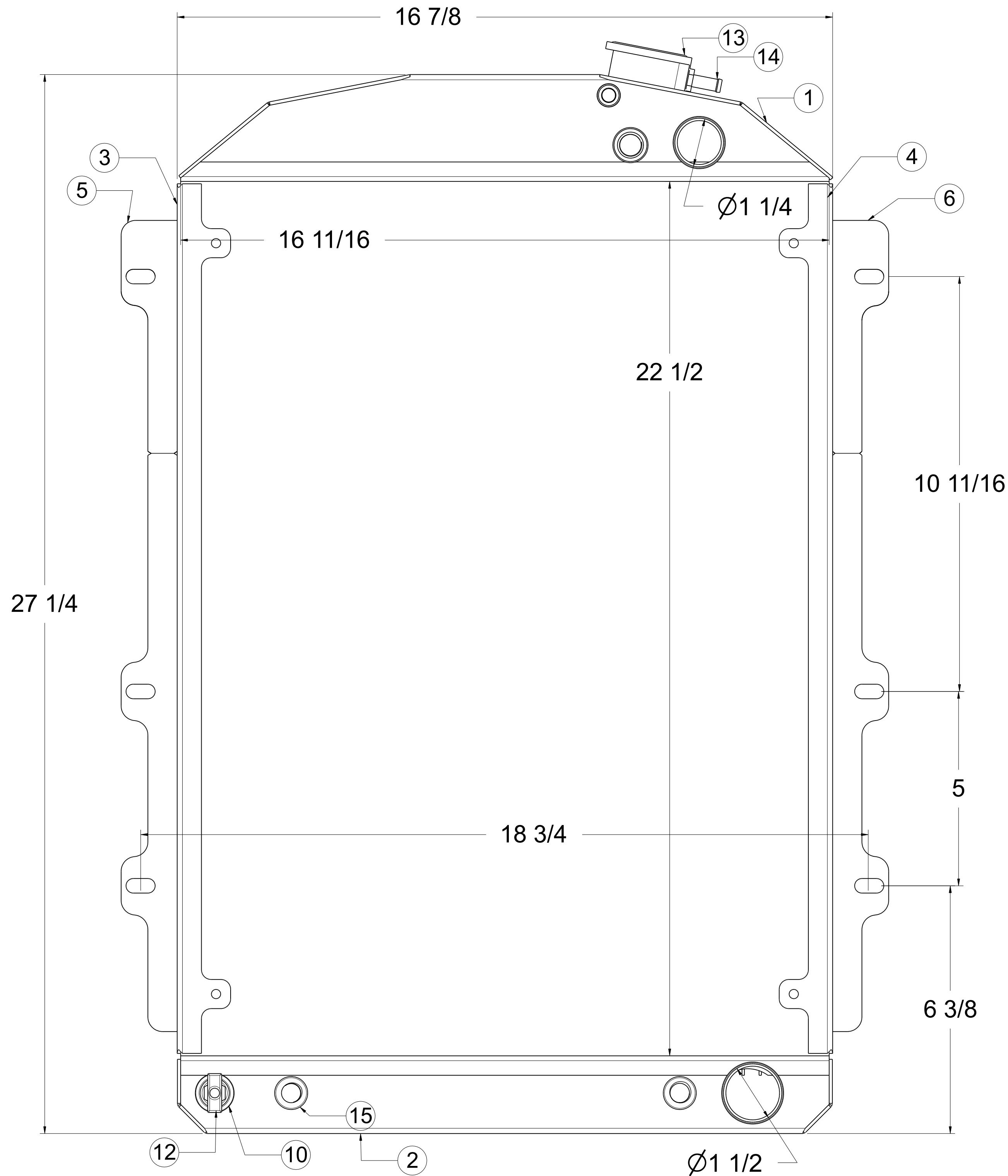
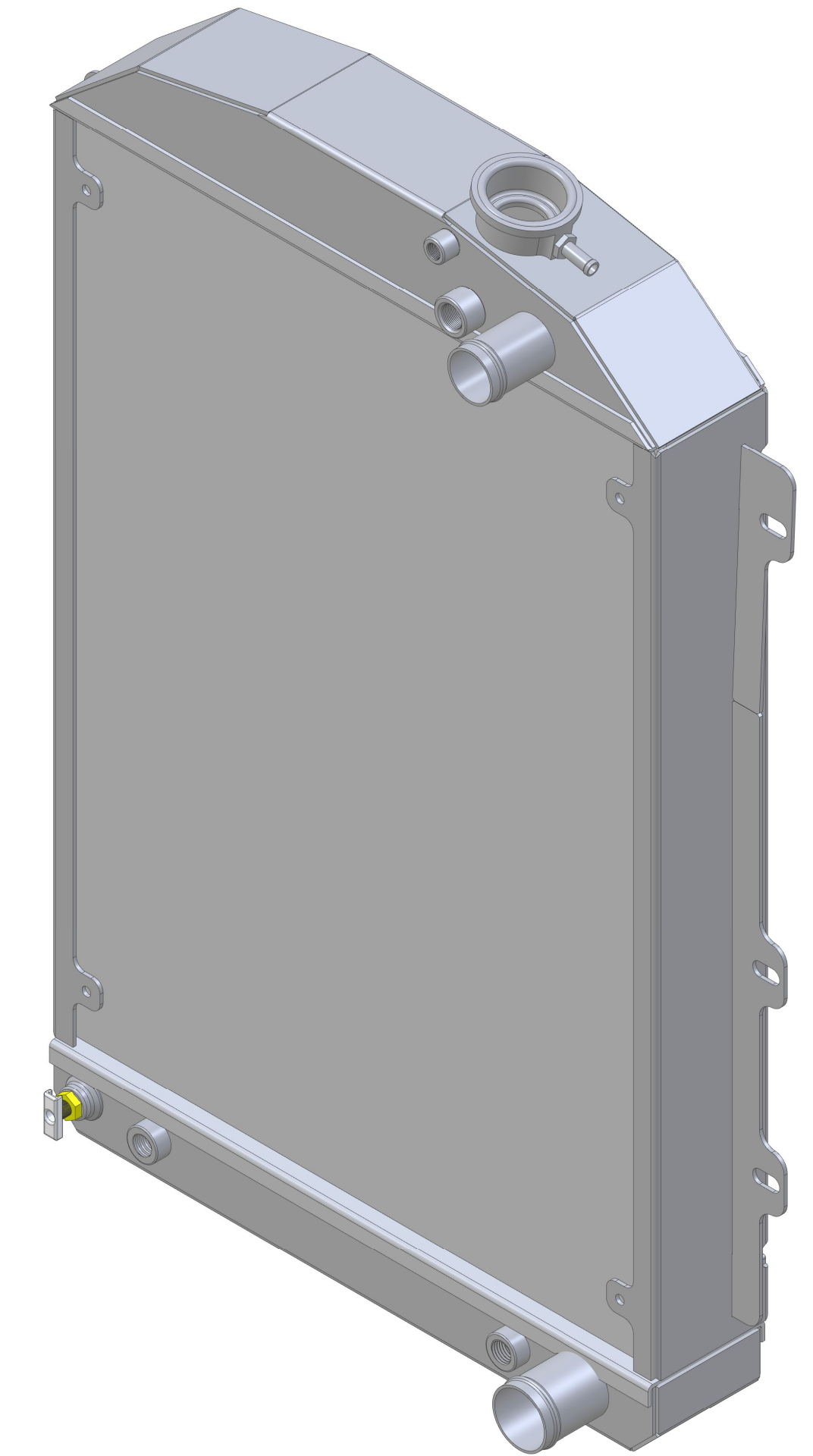




Assembly Part #	Outlet Tank Part #	Oil Cooler Part #	Core Part #
1-10518-100LS	4-05088	N/A	2-22.5x18.5x2.25
1-10518-110LS	4-05089	9- 5 PLT x 10 x 1	
1-10518-200LS	4-05088	N/A	2-22.5x18.5x2.75
1-10518-210LS	4-05089	9- 5 PLT x 10 x 1	

REV		DESCRIPTION	DATE	APPROVED



Item Number	Quantity	Part Number	Part Name	Revision	Comment
1	1	4-05087	Inlet Tank		
2	1	See Table	Outlet Tank		
3	1	4-05040	Driver Siderail		
4	1	4-05041	Passenger Siderail		
5	1	4-05042	Diver Side Bracket		
6	1	4-05043	Pass Side Bracket		
7	1	3-005	Inlet Pipe (Ø1.25" x 1.75")		
8	1	3-006	Outlet Pipe (Ø1.5" x 1.75")		
9	1	3-106	.125 Bung		
10	1	3-104	Drain Bung		
11	1	3-105	.375 Bung		
12	1	3-100	Petcock		
13	1	3-035	Fillerneck		
14	1	3-034	Overflow Spout		
15	1	See Table	TOC		
16	1	See Table	Core Center		



DRAWN SH	DATE 5-7-24	37 Chevrolet	
CHECKED		Title: 1-10518-LS Radiator	
QA		SIZE D	REV -
MFG		SCALE 1:1 SHEET	
APPROVED			