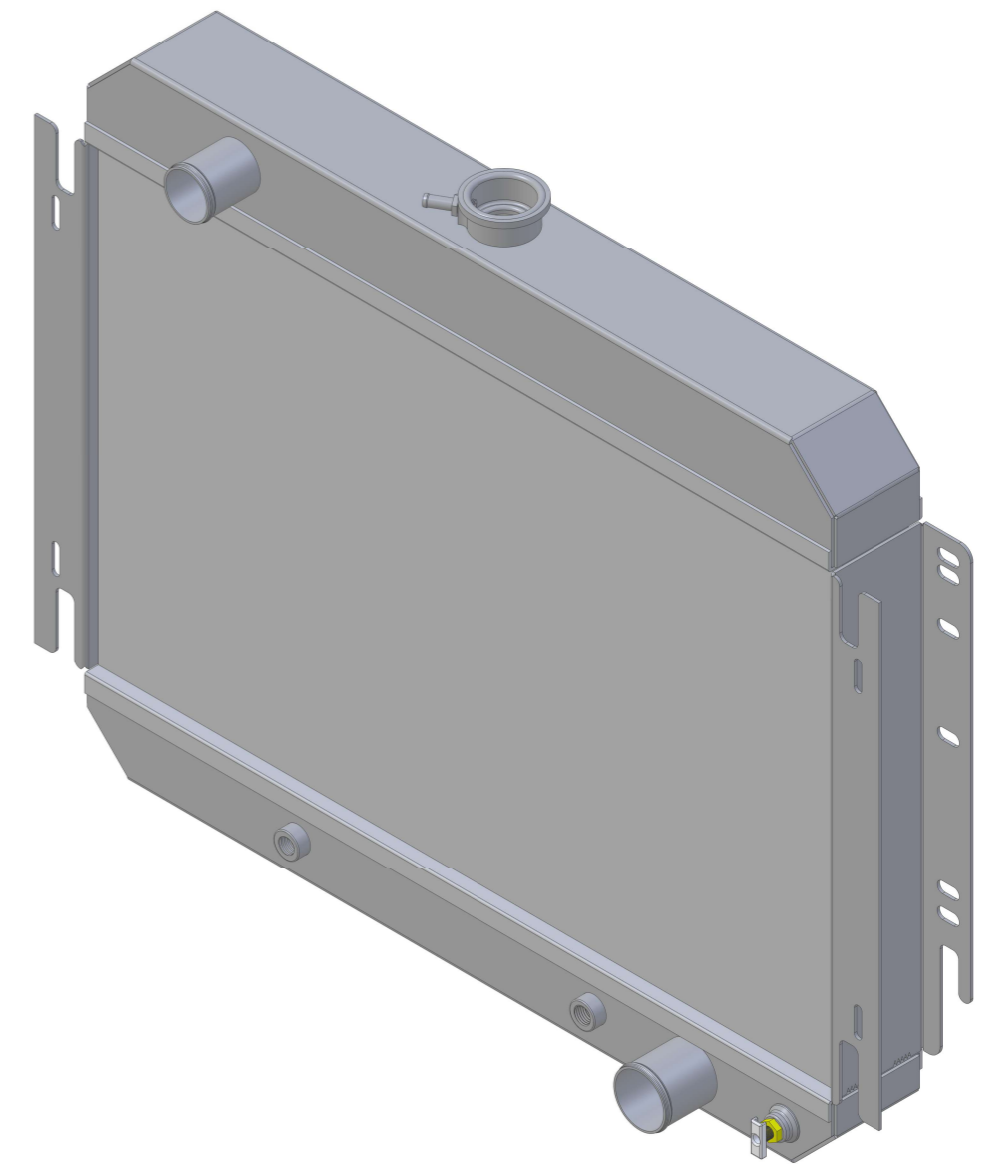
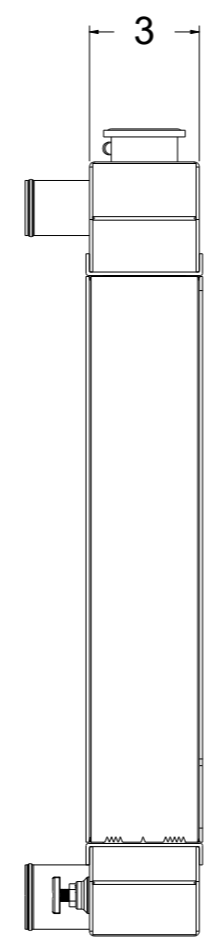
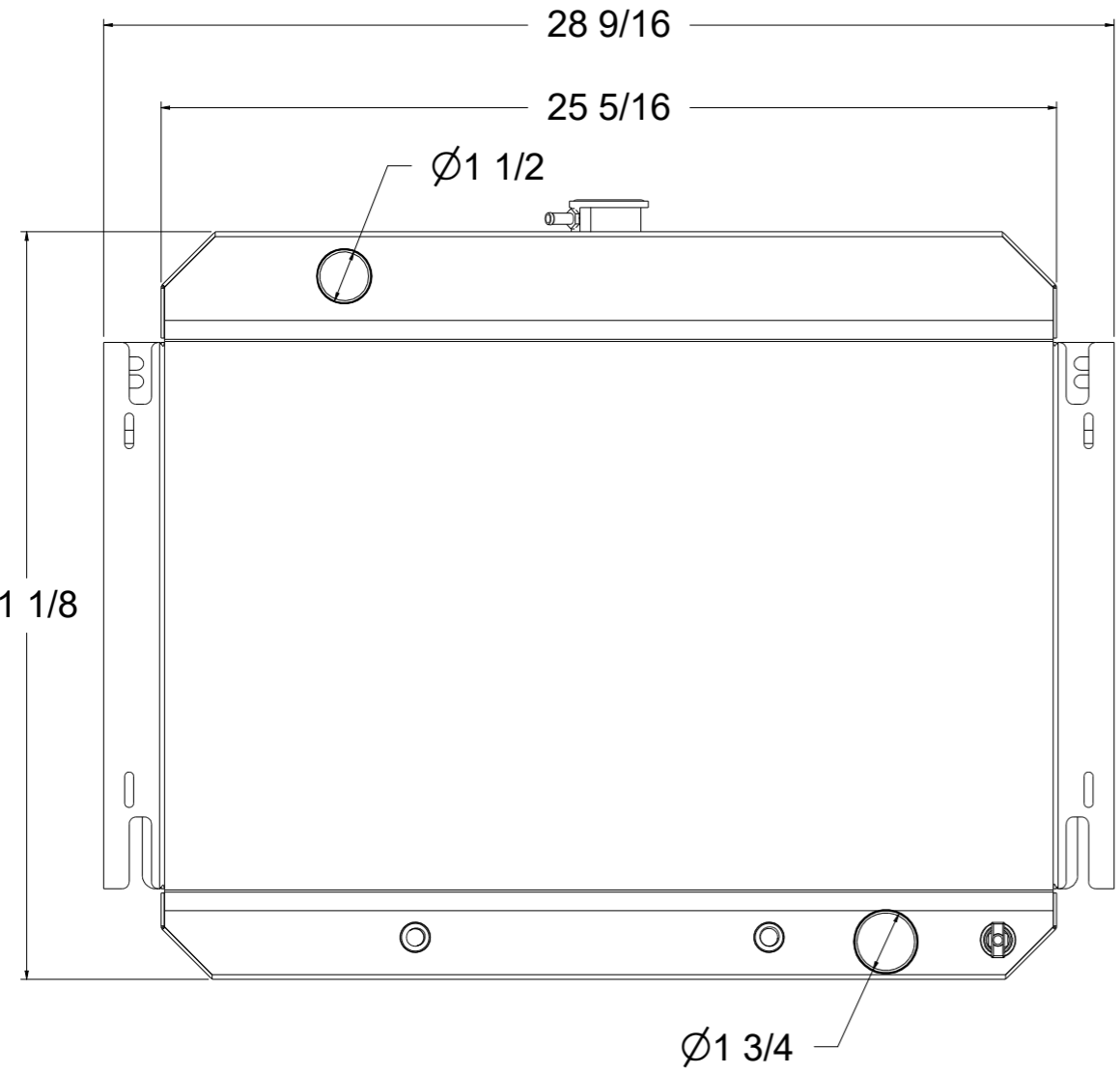
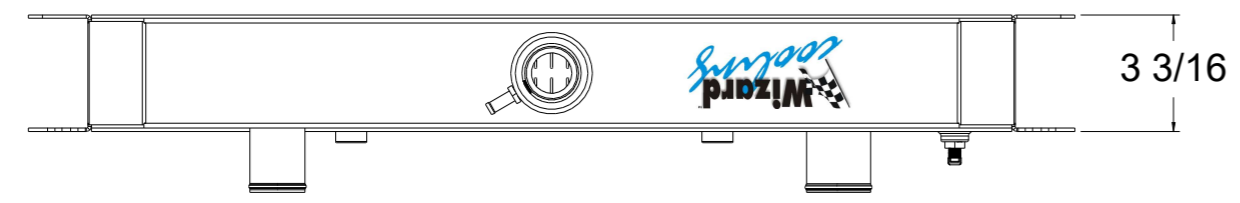


| REVISIONS | | | | |
|-----------|-----|-------------|------|----------|
| ZONE | REV | DESCRIPTION | DATE | APPROVED |
| | | | | |



| SKU # | Transmission | Core Size |
|-----------|--------------|-------------------------------------|
| 1-289-100 | Manual | Standard (2 Rows Of 1" Tubes) |
| 1-289-110 | Automatic | |
| 1-289-200 | Manual | Upgraded (2 Rows Of 1.25" Tubes) |
| 1-289-210 | Automatic | |



| | | | |
|----------|----|------|----------|
| DRAWN | RM | DATE | 10/05/23 |
| CHECKED | | | |
| QA | | | |
| MFG | | | |
| APPROVED | | | |

| | | | |
|---------------------------------|----------|----------|-------|
| Base Radiator | | | |
| Title: 1-289-Radiator | | | |
| SIZE | FSCM NO. | DIWG NO. | REV |
| D | | | - |
| SCALE 1:1 | | | SHEET |