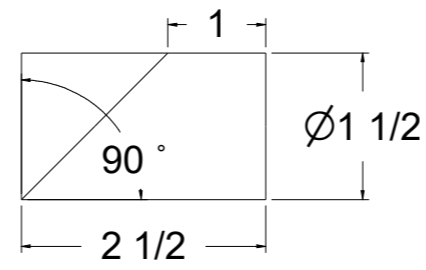


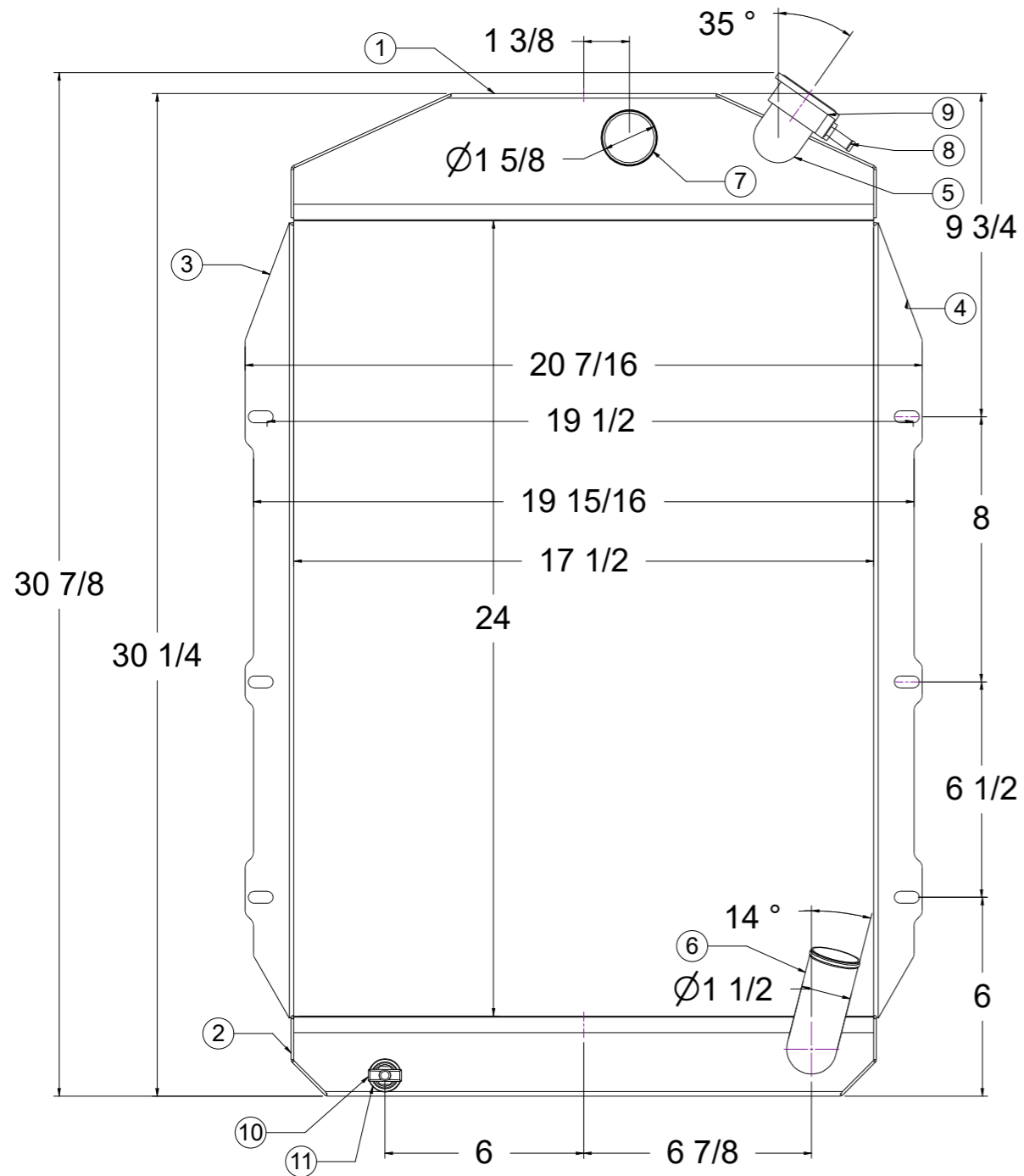
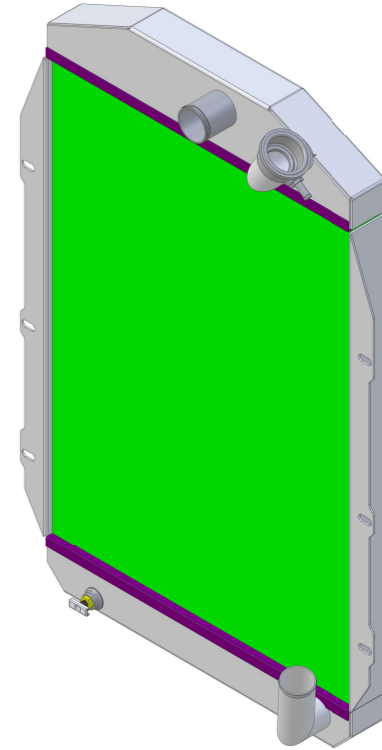
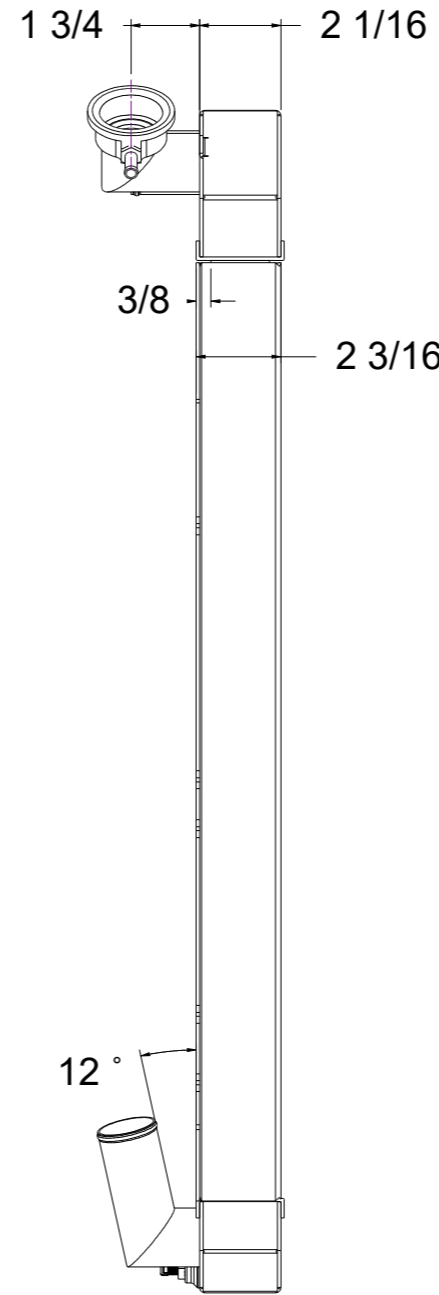
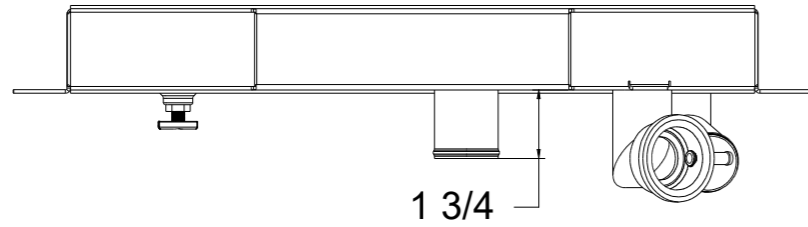
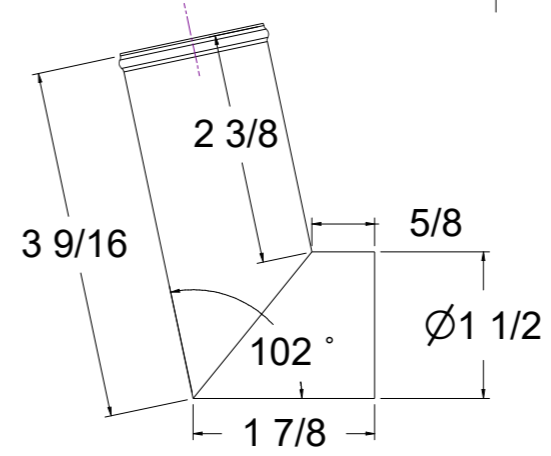
8 7 6 5 4 3 2 1

REVISIONS				
ZONE	REV	DESCRIPTION	DATE	APPROVED

Fillerneck Extension



Outlet Pipe



Item Number	Quantity	Part Number	Part Name	Revision	Comment
1	1	02514	Inlet Tank		
2	1	02515	Outlet Tank		
3	1	02516	Driver Side Channel		
4	1	02517	Passenger Side Channel		
5	1	3-006	Fillerneck Extension		
6	1	3-006	1.5" Pipe		
7	1	3-010	1.625" Pipe		
8	1	3-034	Overflow Spout		
9	1	3-035	Fillerneck		
10	1	3-100	Petcock		
11	1	3-104	1/4" NPT Bung		
12	1	2-24x24x1.5	Core Center		



DRAWN TJM	DATE 1/18/16	39 Buick Special Straight 8 Motor		
CHECKED		Title: 10498-500		
QA		SIZE D	FSCM NO.	DWG NO.
MFG		SCALE 1:1		REV -
APPROVED				SHEET

8 7 6 5 4 3 2 1