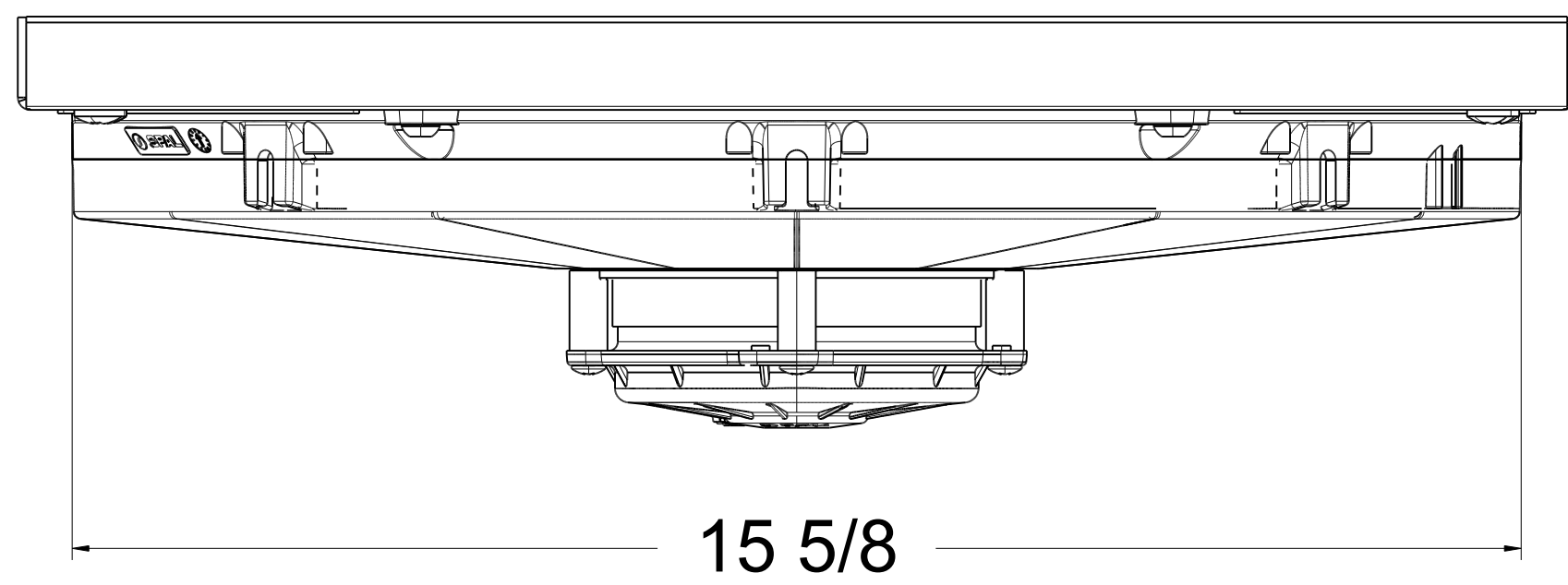
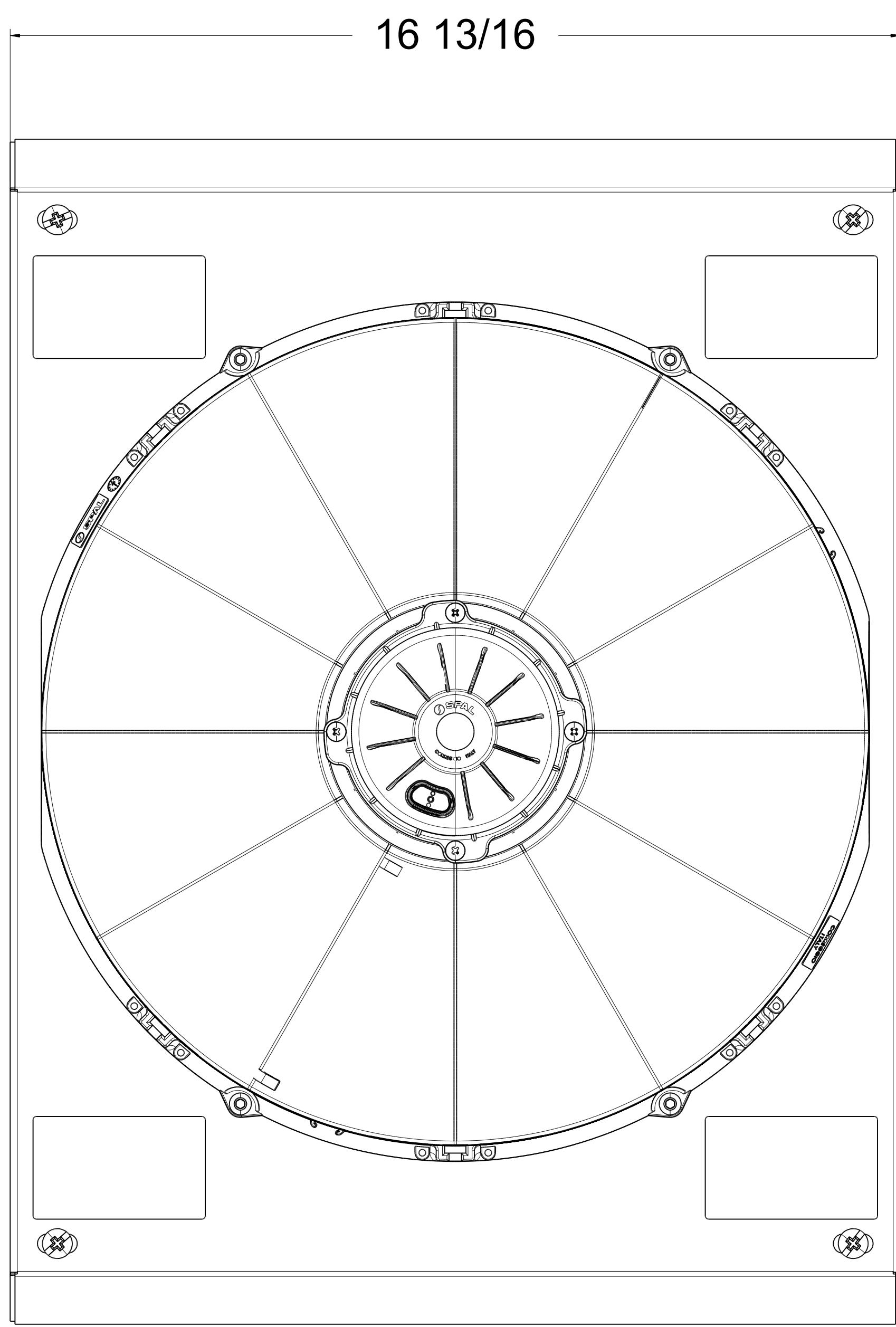


8 7 6 5 4 3 2 1

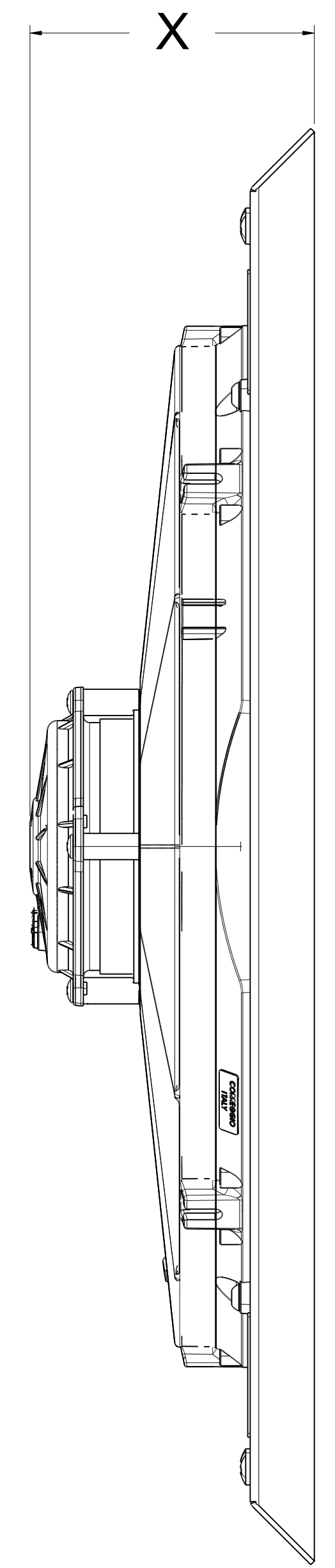
REVISIONS				
ZONE	REV	DESCRIPTION	DATE	APPROVED



SKU #	Fan Type	Fan Part #	Dimension "X"
1-10518-008LP	Low Profile	7-30100400	3"
1-10518-008MD	Medium Duty	7-30101516	3.5"
1-10518-008HP	High Performance	7-30102120	4.5"



22 3/8



Item Number	Quantity	Part Number	Part Name	Revision	Comment
1	1	4-06201	Shroud		
2	4	3-PEMCLS-M6-1-SS	Self Clinching Nut (M6 x 1)		
3	4	3-99637A244	Binding Barrel (.25-20 x .75")		
4	4	3-BSC-M6 x 16-SS	BHS Cap Screw (M6 x 1 x 16)		
5	4	7-30130012	Fan Flap		

DRAWN SH	DATE 5-9-24	Title: 1-10518-008								
CHECKED										
QA										
MFG										
APPROVED		<table border="1" style="width: 100%;"> <tr> <td>SIZE D</td> <td>FSCM NO.</td> <td>DWG NO.</td> <td>REV -</td> </tr> <tr> <td>SCALE 1:1</td> <td colspan="2">SHEET</td> <td> </td> </tr> </table>	SIZE D	FSCM NO.	DWG NO.	REV -	SCALE 1:1	SHEET		
SIZE D	FSCM NO.	DWG NO.	REV -							
SCALE 1:1	SHEET									

8 7 6 5 4 3 2 1