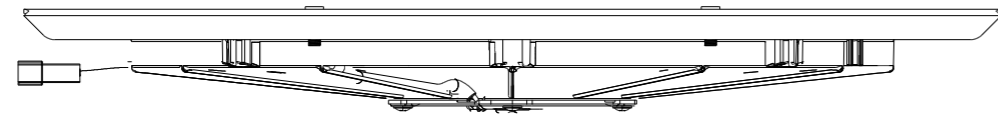
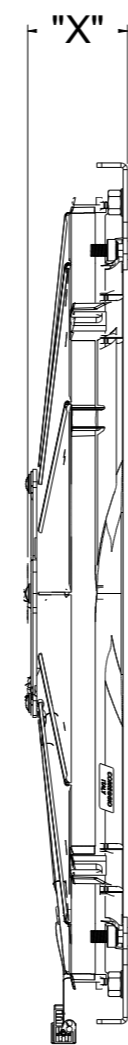
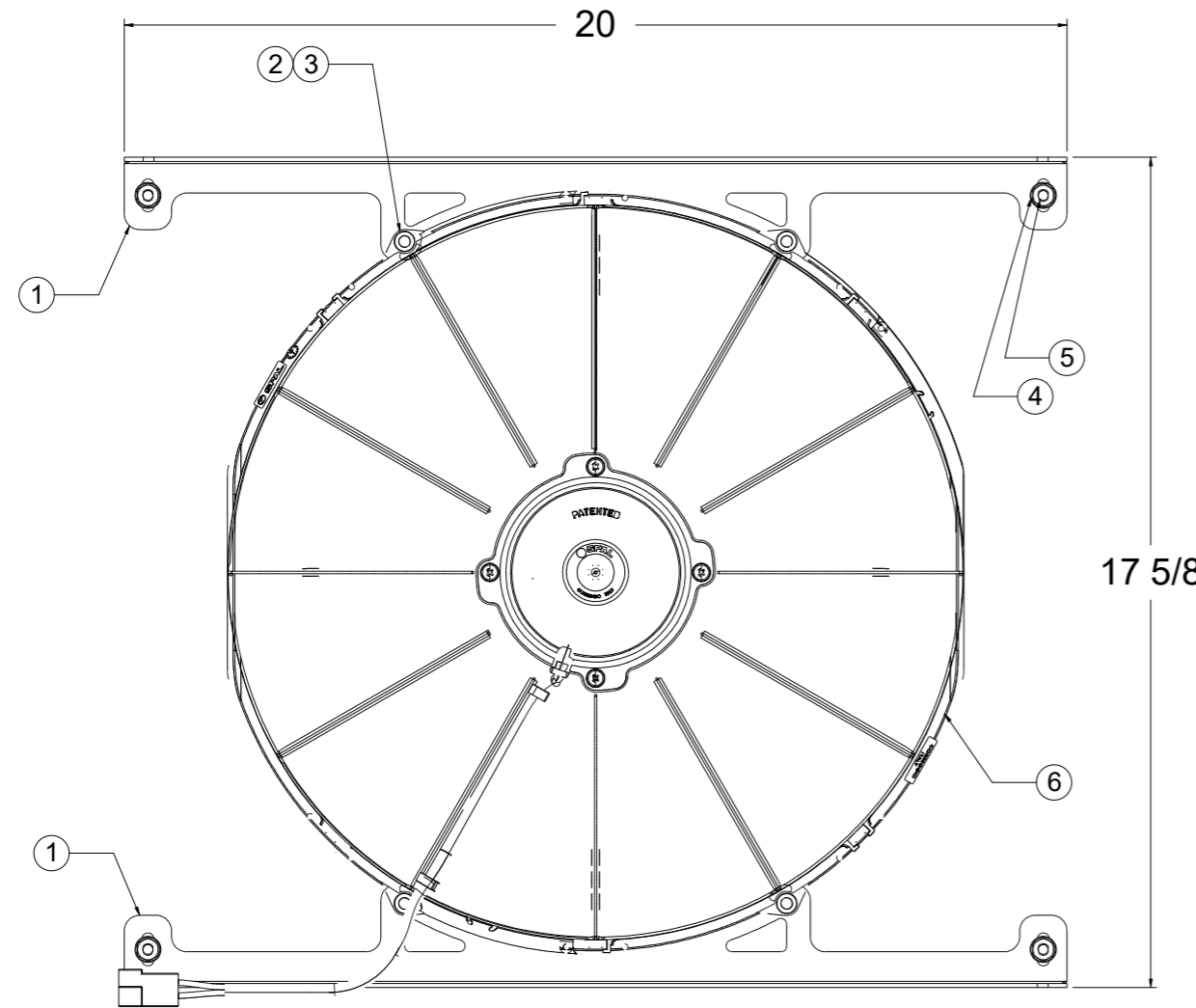
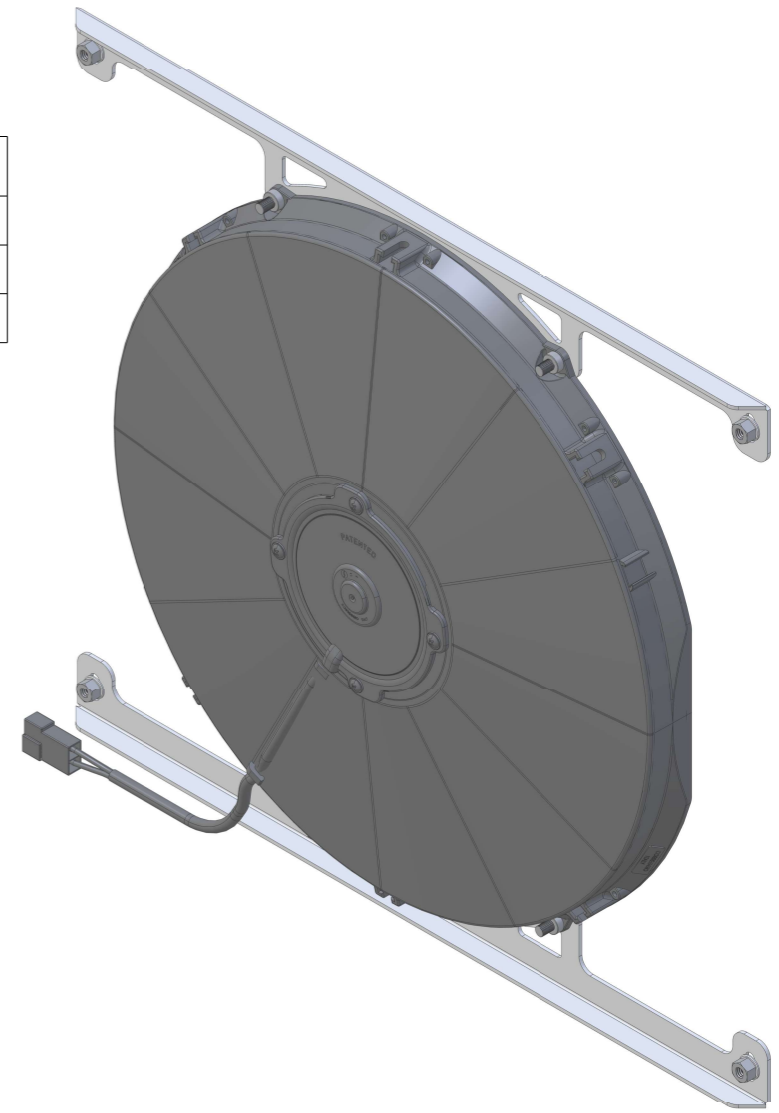


REVISIONS				
ZONE	REV	DESCRIPTION	DATE	APPROVED



SKU #	Fan Type	Fan Part #	Dimension "X"
1-583-001CFCLP	Low Profile	7-30100400	2"
1-583-001CFCMD	Medium Duty	7-30101516	2.5"
1-583-001CFCHP	High Performance	7-30102120	3.5"



Item Number	Quantity	Part Number	Part Name	Revision	Comment
1	2	4-06215	Fan Brackets		
2	4	3-PEMHFS-0420-12-SS	Self Clinching Bolt (1/4-20 x .75)		
3	4	3-PEMCLS-0420-1-SS	Self Clinching Nut (1/4-20)		
4	4	3-FLW-1/4-SS	Flat Washer (1/4")		
5	4	3-HX-1/4-20-SS	Hex Nut (1/4")		
6	1	See Table	16" Brush Style Fan		



DRAWN	RM	DATE	05/23/24	Title: <b>Single Fan-Bracket (Cross Flow Conversion)</b> <b>1-583-001CFC (Bracket)</b>	
CHECKED					
QA				SIZE	D
MFG				FSCM NO.	
APPROVED				DIWG NO.	
SCALE 1:1				SHEET	REV -