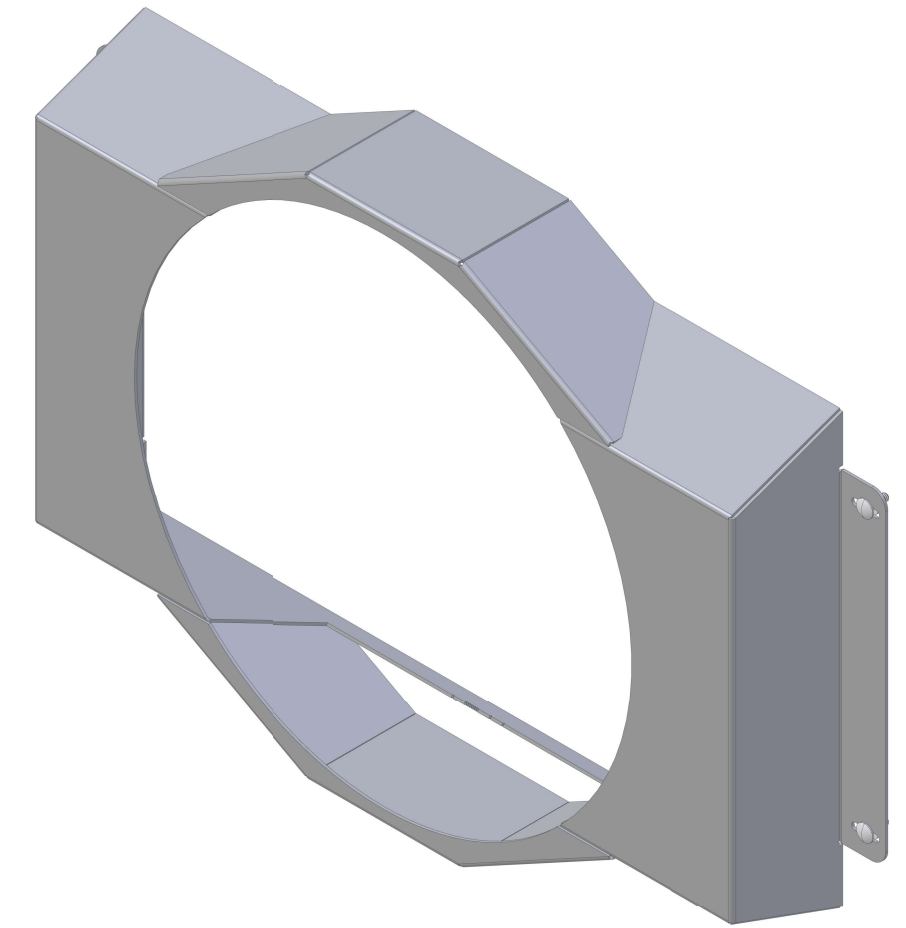
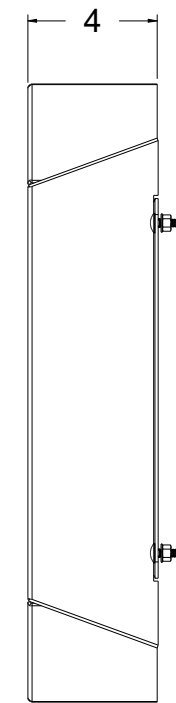
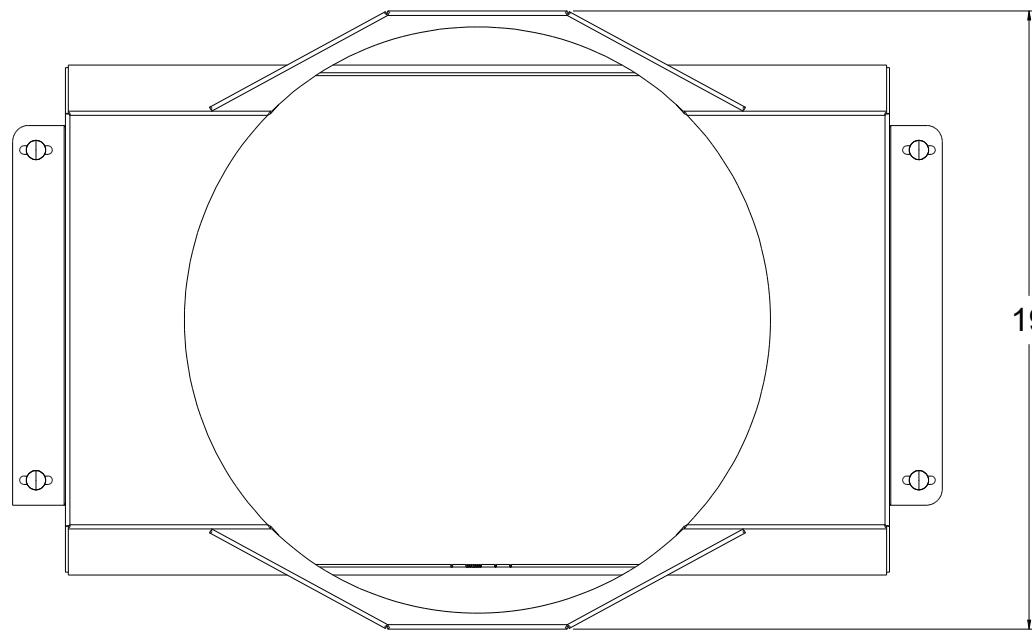
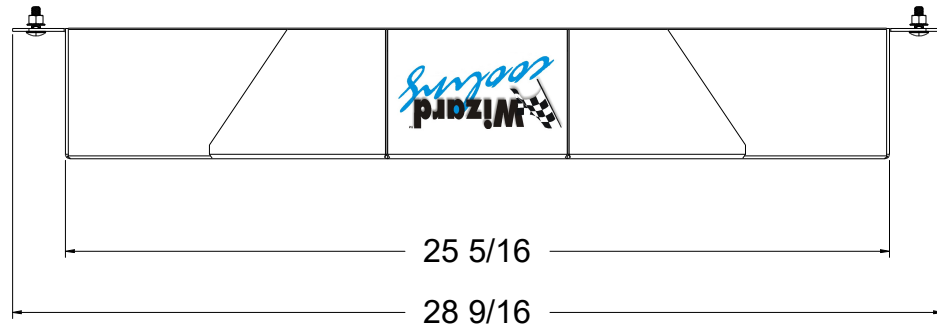



SKU #	Radiator DWG #	Radiator P/N	Transmission	Core Size	OEM Fan Shroud DWG #	OEM Fan Shroud P/N	Fan Type	Dimension "X"
1-289-105SB	1-289-Radiator	1-289-100	Manual	STANDARD (2 Rows of 1" Tubes)	1-289-005SB (Small Block OEM Fan Shroud)	1-289-005SB	N/A	0.0"
1-289-115SB		1-289-110	Automatic					
1-289-205SB		1-289-200	Manual	UPGRADED (2 Rows of 1.25" Tubes)				
1-289-215SB		1-289-210	Automatic					



 <p>Wizard <i>cooling</i> Custom Aluminum Radiators www.wizardcooling.com</p>	<p>Contact Us: 716-655-6760</p>	<p>Part Number 1-289SB-Fan Package</p>
--	-------------------------------------	---