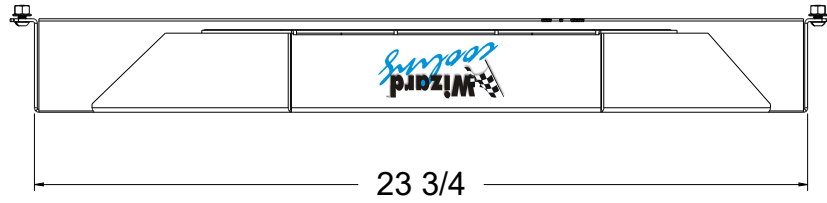


8 7 6 5 4 3 2 1

D

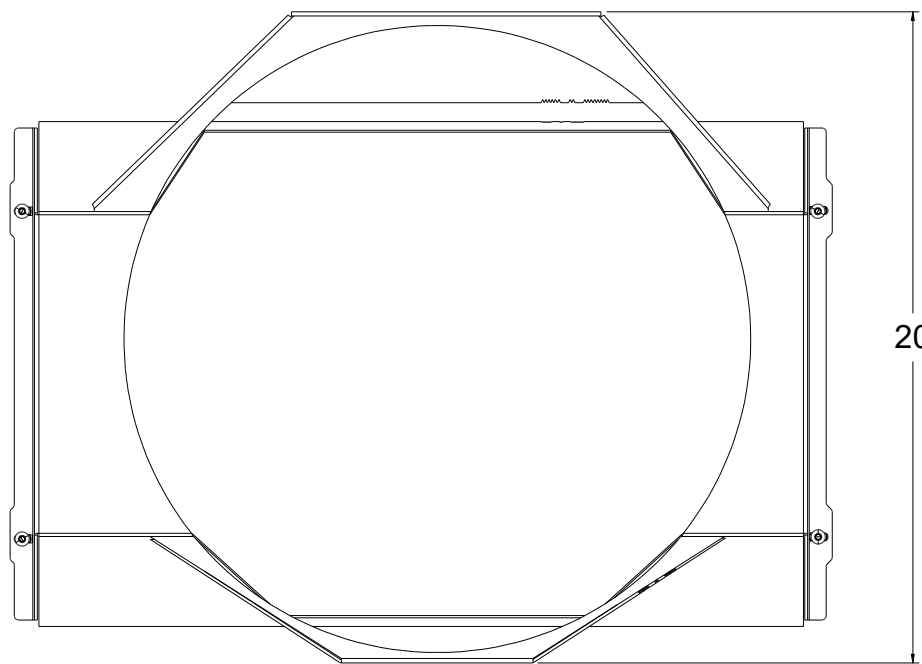
D

SKU #	Radiator DWG #	Radiator P/N	Transmission	Core Size	OEM Fan Shroud DWG #	OEM Fan Shroud P/N	Fan Type	Dimension "X"
1-379-105BB	1-379-Radiator	1-379-100	Manual	STANDARD (2 Rows of 1" Tubes)	1-379-005BB (Big Block OEM Fan Shroud)	1-379-005BB	N/A	0.0"
1-379-115BB		1-379-110	Automatic					
1-379-205BB		1-379-200	Manual	UPGRADED (2 Rows of 1.25" Tubes)				
1-379-215BB		1-379-210	Automatic					



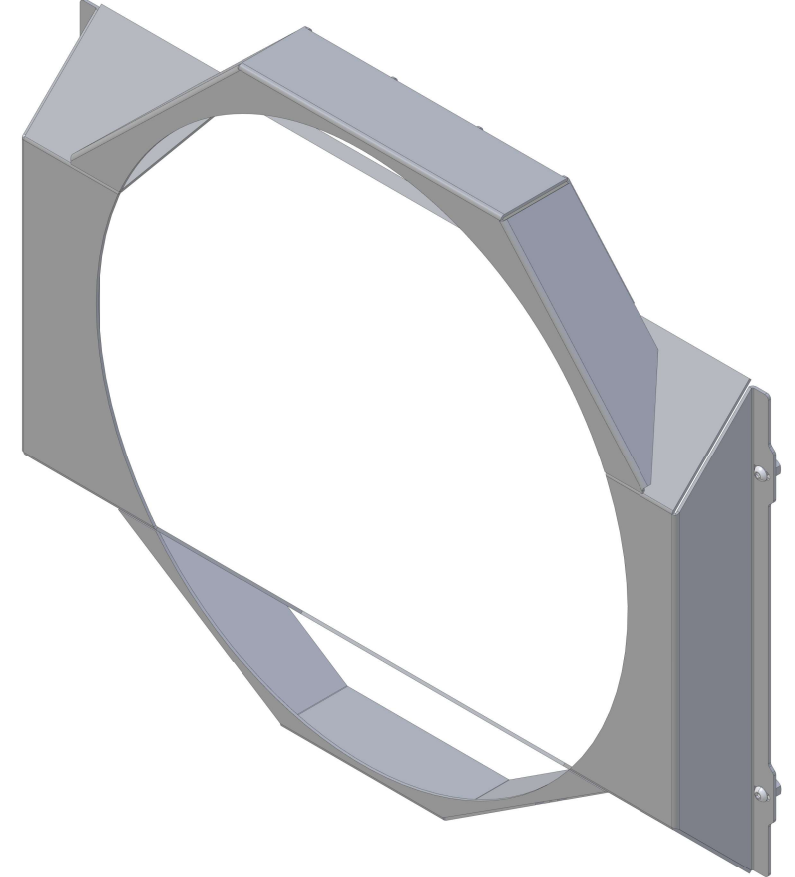
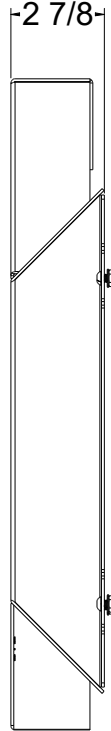
C

C



B

B



A

A

www.wizardcooling.com

Contact Us:
716-655-6760

Part Number
1-379BB-Fan Package

8 7 6 5 4 3 2 1