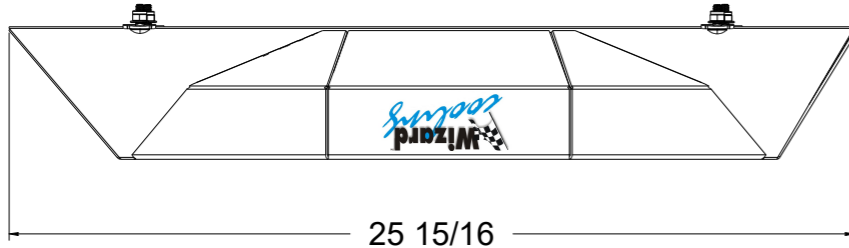


8 7 6 5 4 3 2 1

D

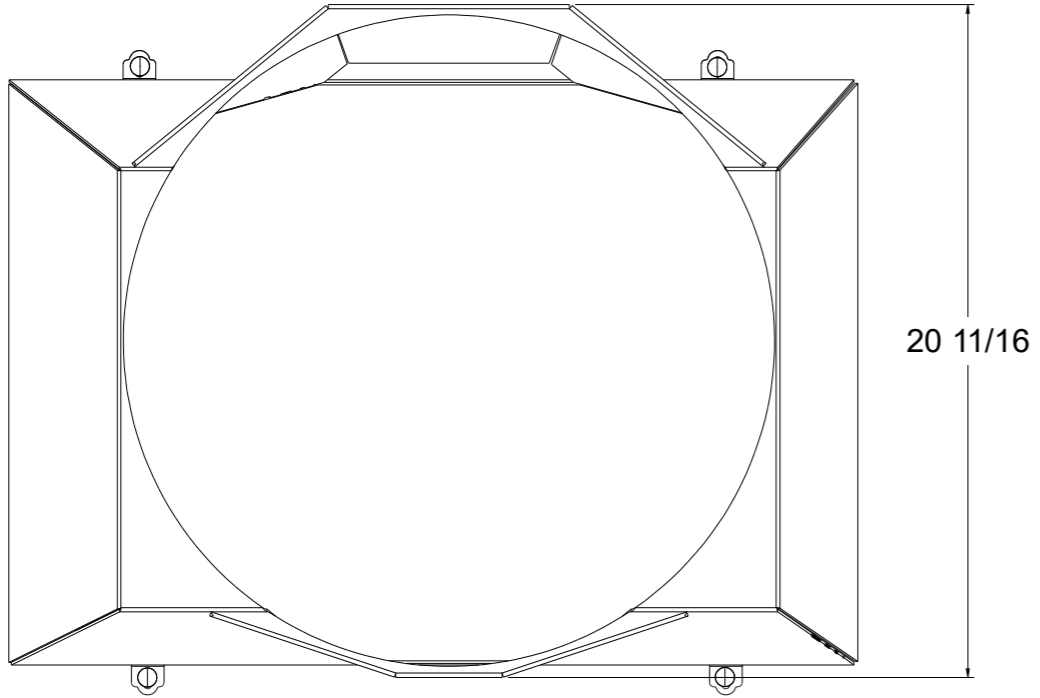
D

SKU #	Radiator DWG #	Radiator P/N	Transmission	Core Size	OEM Fan Shroud DWG #	OEM Fan Shroud P/N	Fan Type	Dimension "X"
1-381-105	1-381-Radiator	1-381-100	Manual	STANDARD (2 Rows of 1" Tubes)	1-381-005 (OEM Fan Shroud)	1-381-005	N/A	0.0"
1-381-115		1-381-110	Automatic					
1-381-205		1-381-200	Manual	UPGRADED (2 Rows of 1.25" Tubes)				
1-381-215		1-381-210	Automatic					



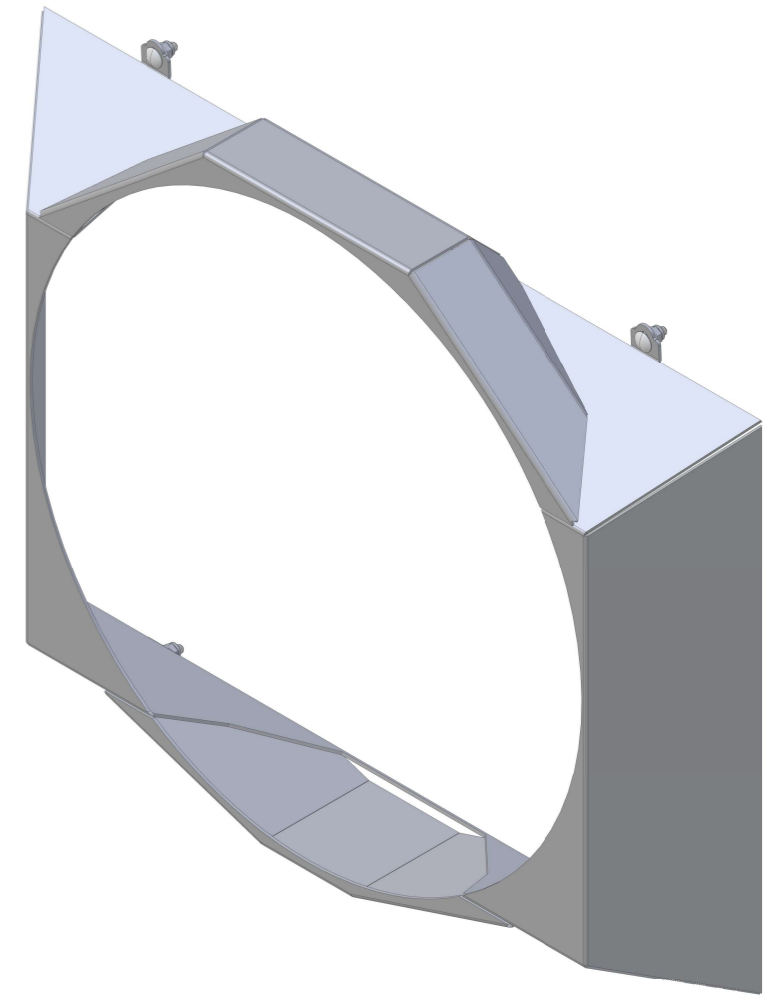
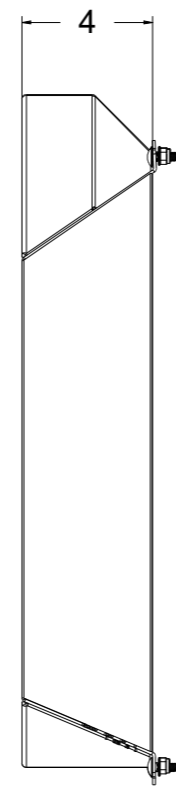
C

C



B

B



A

A

8 7 6 5 4 3 2 1

Custom Aluminum Radiators
www.wizardcooling.com

Contact Us:
716-655-6760

Part Number
1-381-Fan Package