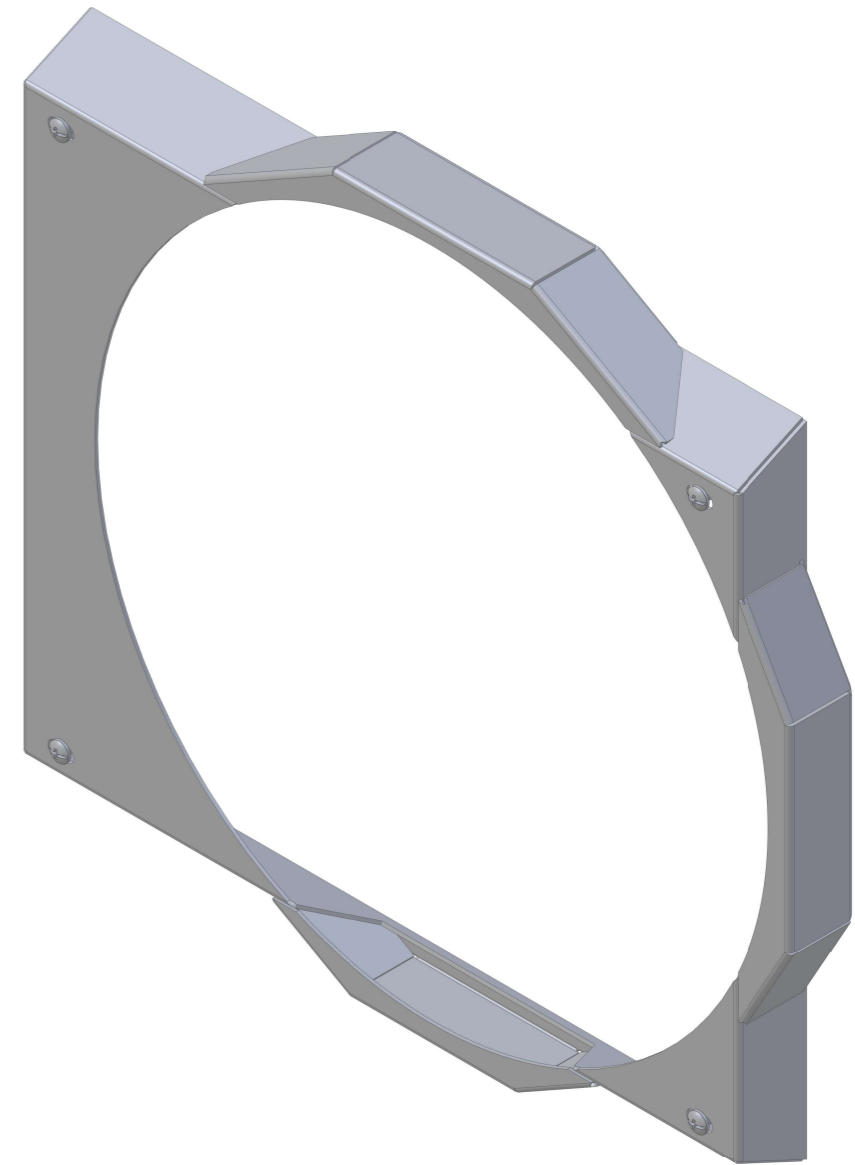
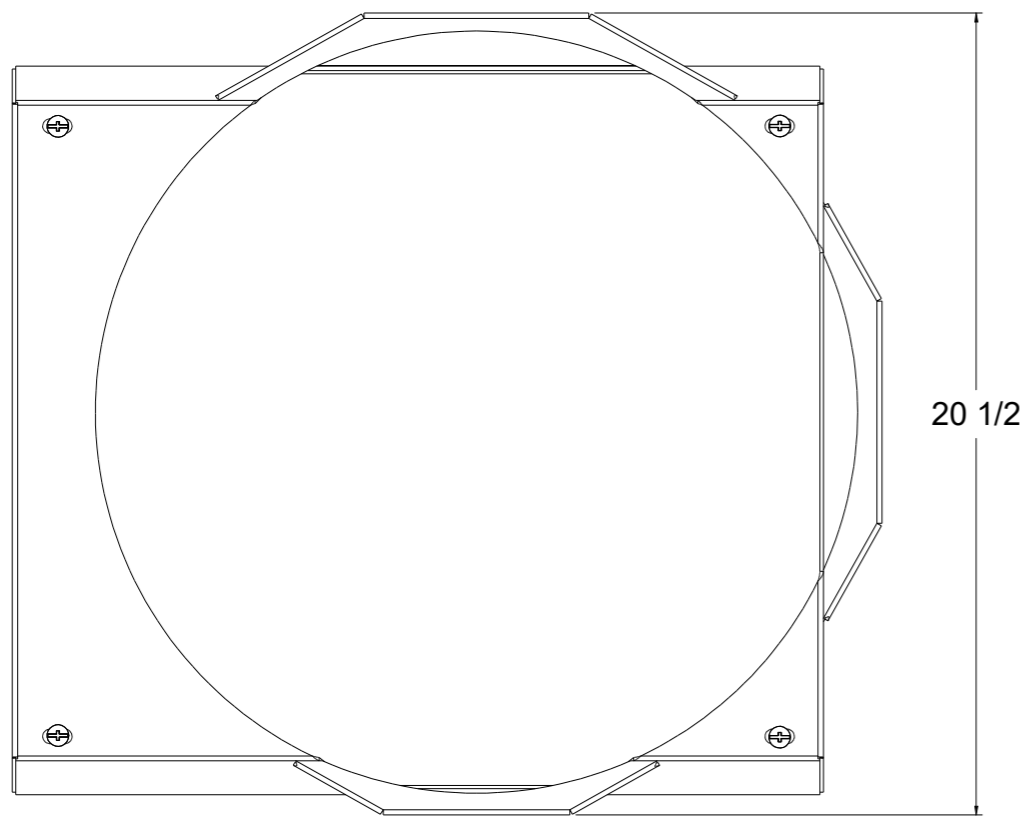
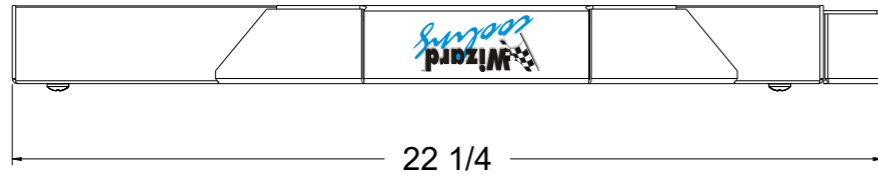


8 7 6 5 4 3 2 1

SKU #	Radiator DWG #	Radiator P/N	Transmission	Core Size	OEM Fan Shroud DWG #	OEM Fan Shroud P/N	Fan Type	Dimension "X"
1-337-105	1-337-Radiator	1-337-100	Manual	STANDARD (2 Rows of 1" Tubes)	1-337-005 (OEM Fan Shroud)	1-337-005	N/A	0.0"
1-337-115		1-337-110	Automatic					
1-337-205		1-337-200	Manual	UPGRADED (2 Rows of 1.25" Tubes)				
1-337-215		1-337-210	Automatic					



Wizard
cooling
Custom Aluminum Radiators
www.wizardcooling.com

Contact Us:
716-655-6760

Part Number
1-337-005

8 7 6 5 4 3 2 1