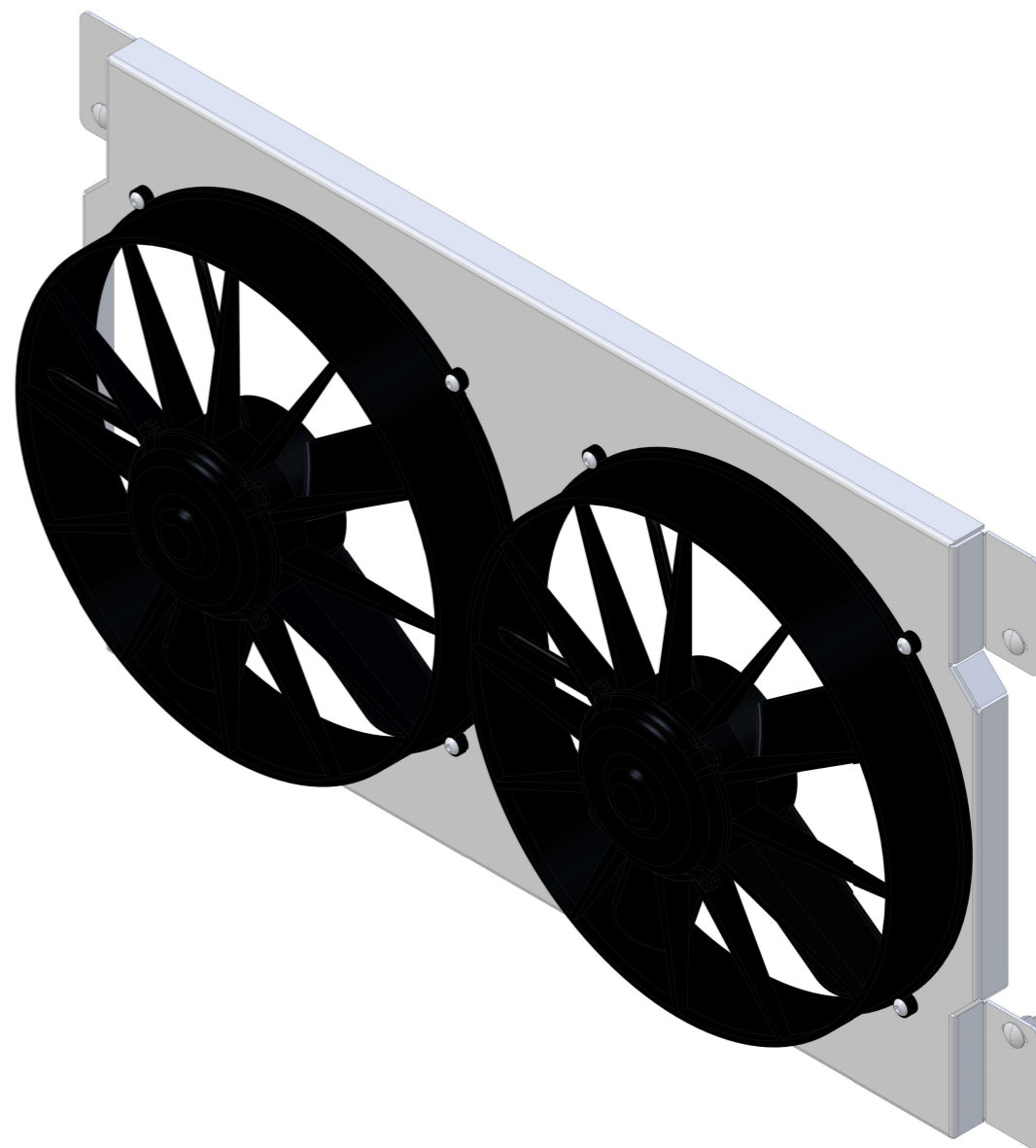
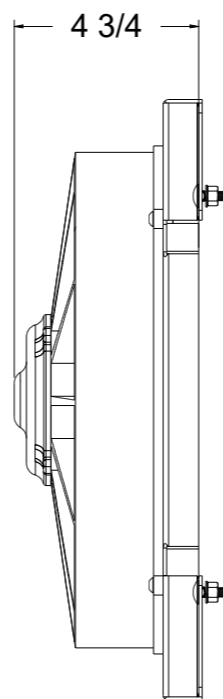
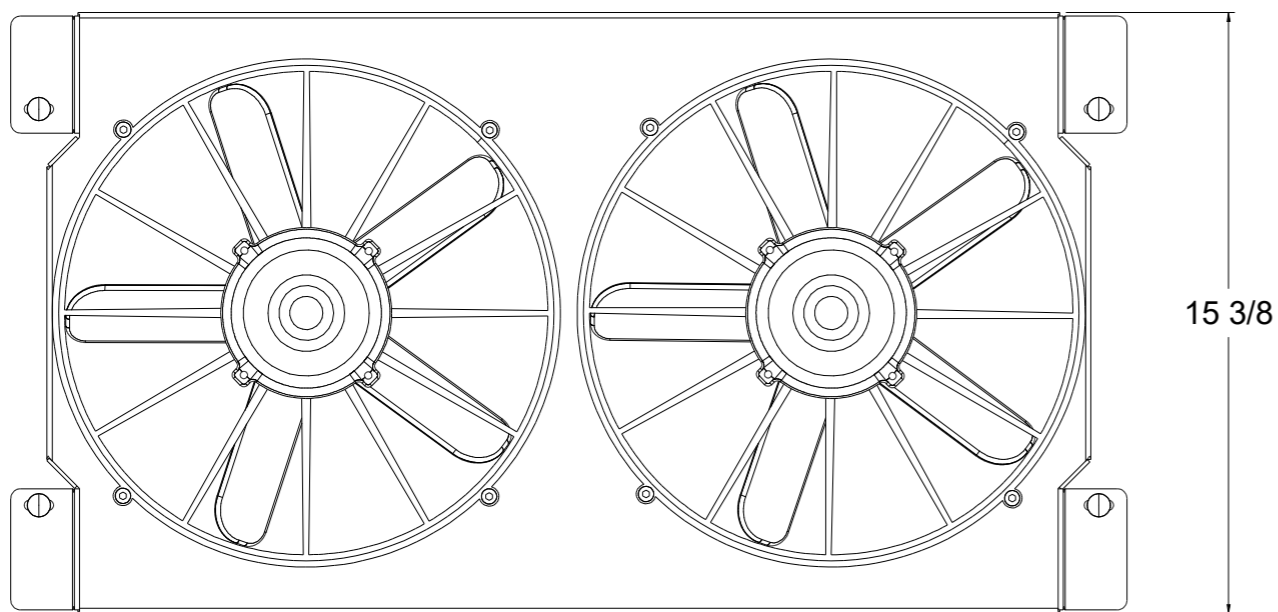
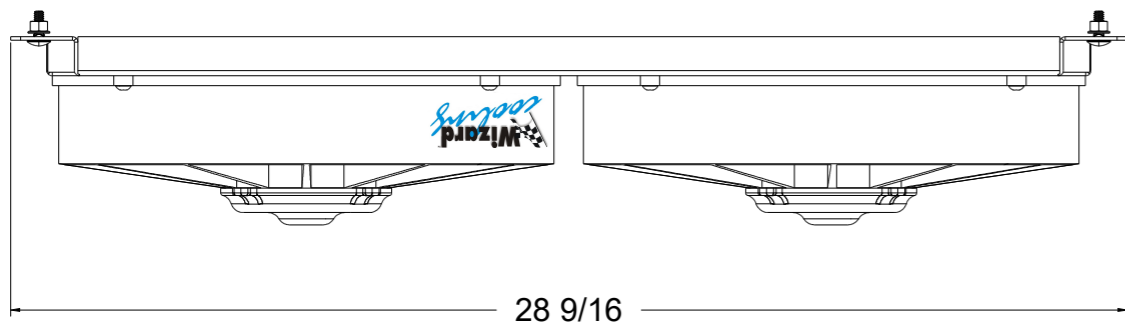


SKU #	Radiator DWG #	Radiator P/N	Transmission	Core Size	Shroud & Fan DWG #	Shroud & Fan P/N	Fan Type	Dimension "X"
1-289-102PD	1-289-Radiator	1-289-100	Manual	STANDARD (2 Rows of 1" Tubes)	1-289-002PD (Dual Chamber Shroud)	1-289-002PD	Paddle Blade	7.75"
1-289-112PD		1-289-110	Automatic					
1-289-202PD		1-289-200	Manual	UPGRADED (2 Rows of 1.25" Tubes)				
1-289-212PD		1-289-210	Automatic					



  
 Custom Aluminum Radiators  
[www.wizardcooling.com](http://www.wizardcooling.com)

Contact Us:  
 716-655-6760

Part Number  
**1-289-002PD**