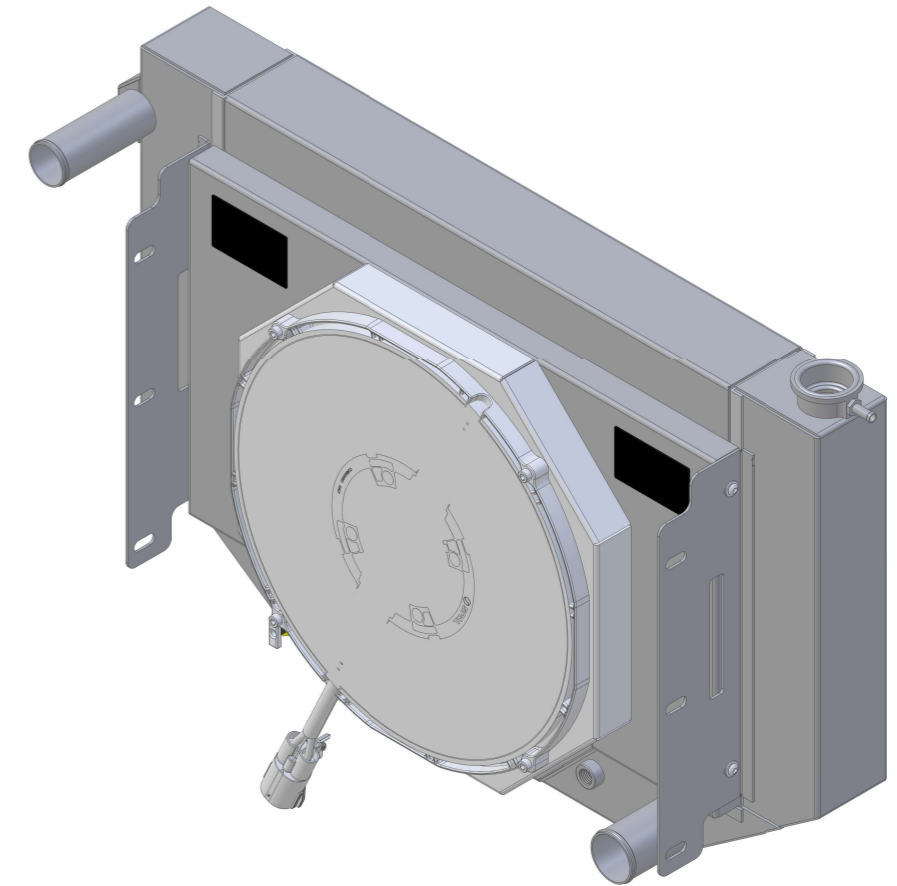
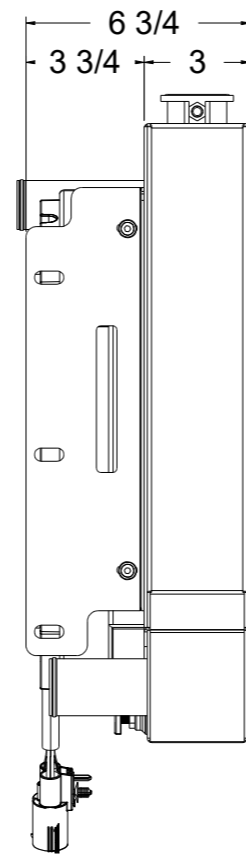
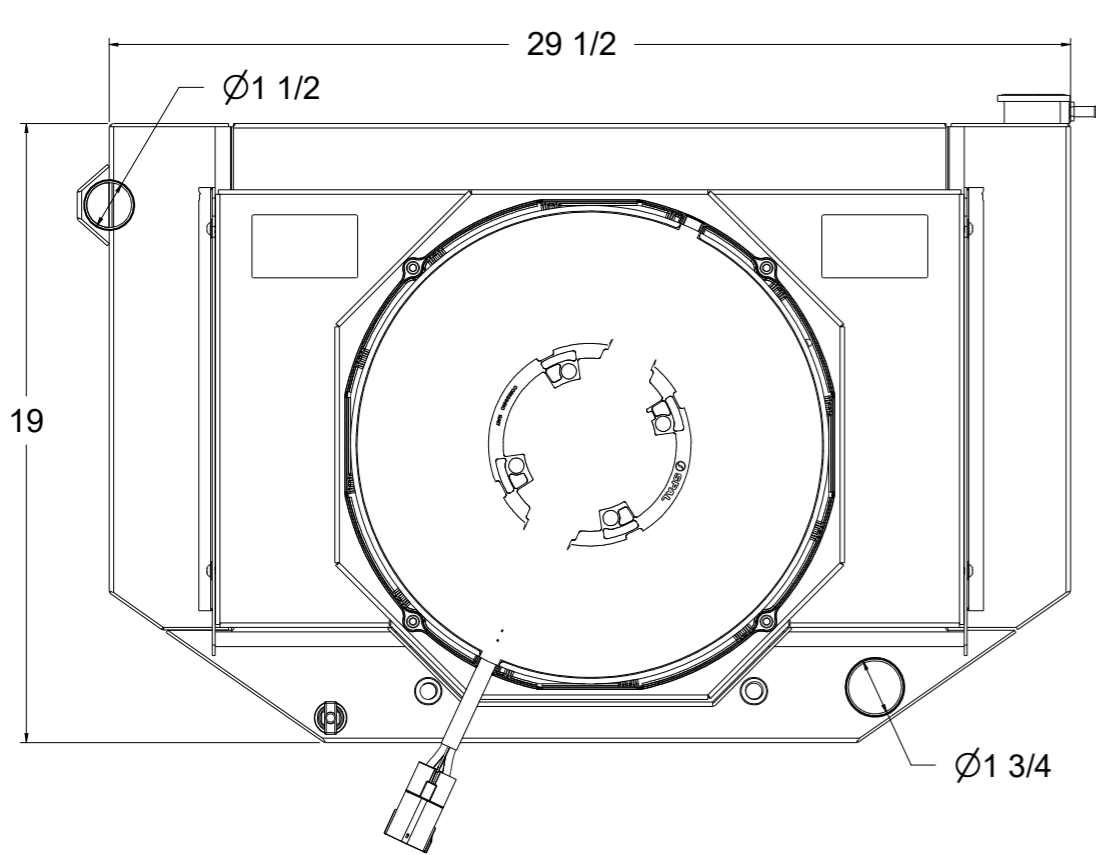
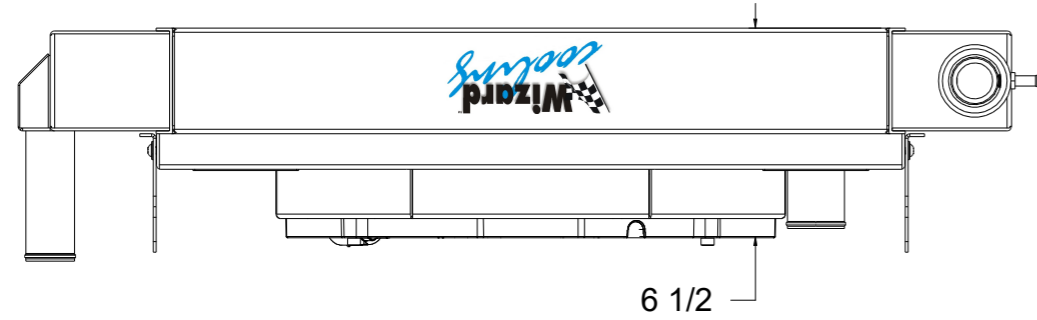


SKU #	Radiator DWG #	Radiator P/N	Transmission	Core Size	Shroud & Fan DWG #	Shroud & Fan P/N	Fan Type
1-1657-108CFCBL-300	1-1657-CFC Radiator	1-1657-100CFC	Manual	STANDARD (2 Rows of 1" Tubes)	1-1657-008CFCBL (Dual Chamber Shroud)	1-1657-008BLCFC-300	300W Brushless
1-1657-108CFCBL-500			Automatic			1-1657-008CFCBL-500	500W Brushless
1-1657-118CFCBL-300		1-1657-110CFC	UPGRADED (2 Rows of 1.25" Tubes)			1-1657-008CFCBL-300	300W Brushless
1-1657-118CFCBL-500						Automatic	1-1657-008CFCBL-500
1-1657-208CFCBL-300		Manual		1-1657-008CFCBL-300		300W Brushless	
1-1657-208CFCBL-500		Automatic		1-1657-008CFCBL-500		500W Brushless	
1-1657-218CFCBL-300		1-1657-210CFC		1-1657-008CFCBL-300		300W Brushless	
1-1657-218CFCBL-500				Automatic		1-1657-008CFCBL-500	500W Brushless





Wizard
cooling
 Custom Aluminum Radiators
www.wizardcooling.com

Contact Us:
716-655-6760

Part Number
**1-1657 CFC Radiator
 &
 1-1657-008BL**