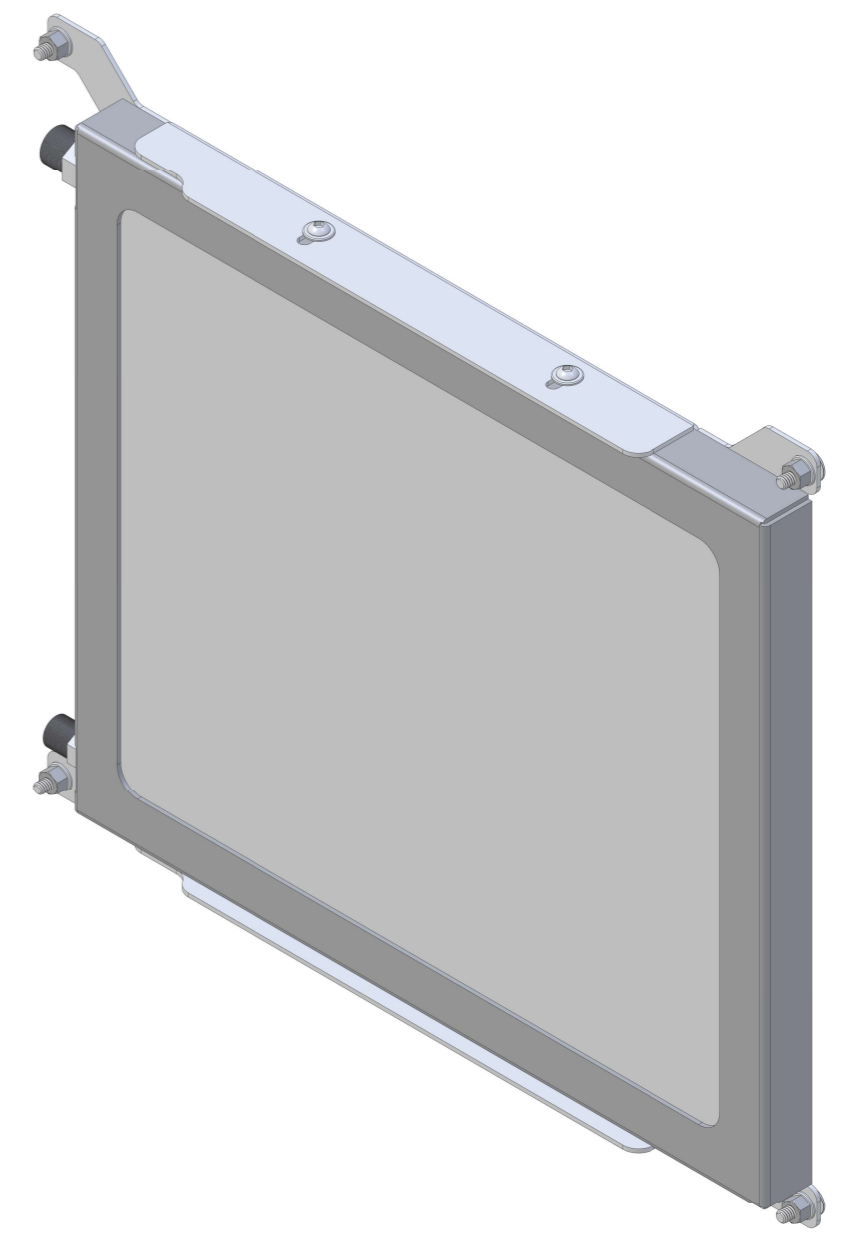
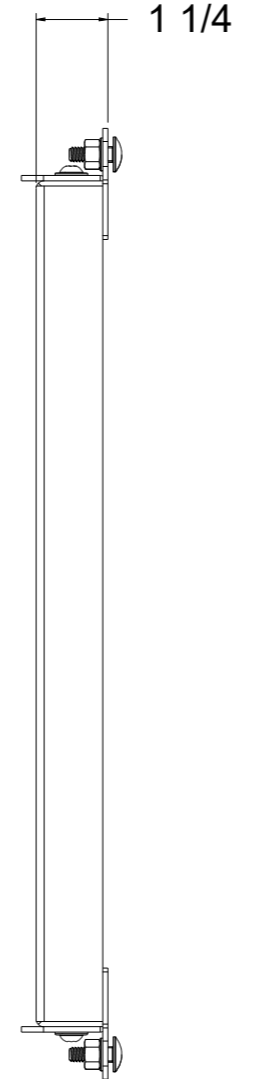
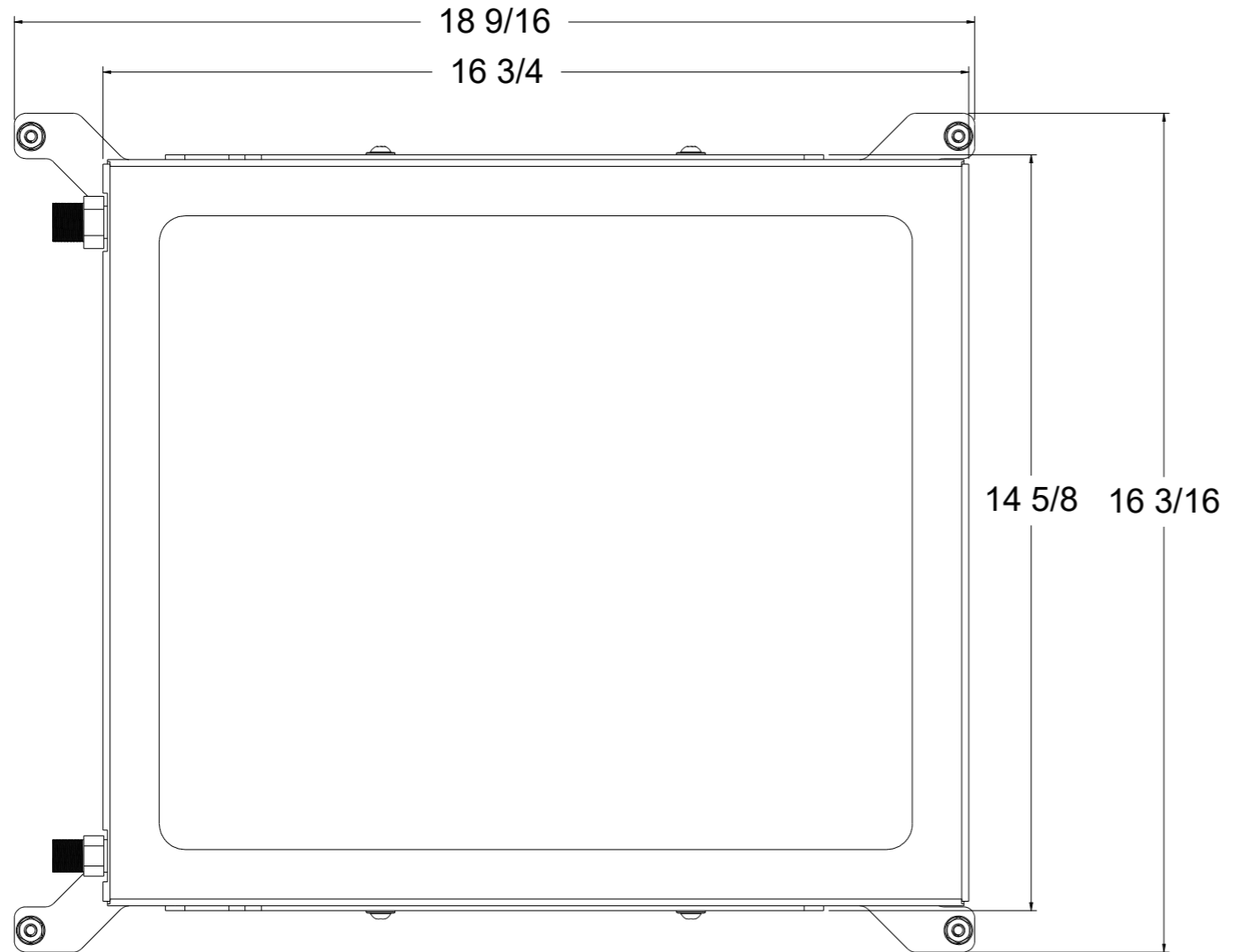
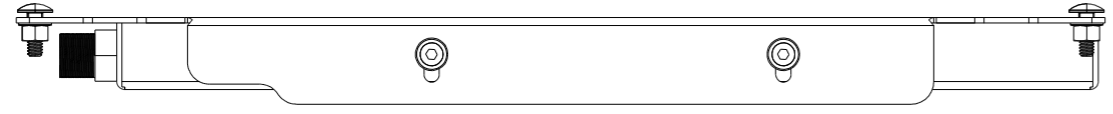



REVISIONS				
ZONE	REV	DESCRIPTION	DATE	APPROVED



 Wizard <i>cooling</i> Custom Aluminum Radiators	DRAWN	RM	DATE	11/18/24				A/C Condenser			
	CHECKED			Title:				1-10514-000AC			
	QA			SIZE	FSCM NO.	DIWG NO.	REV	-			
	APPROVED			D				SCALE	1:1	SHEET	