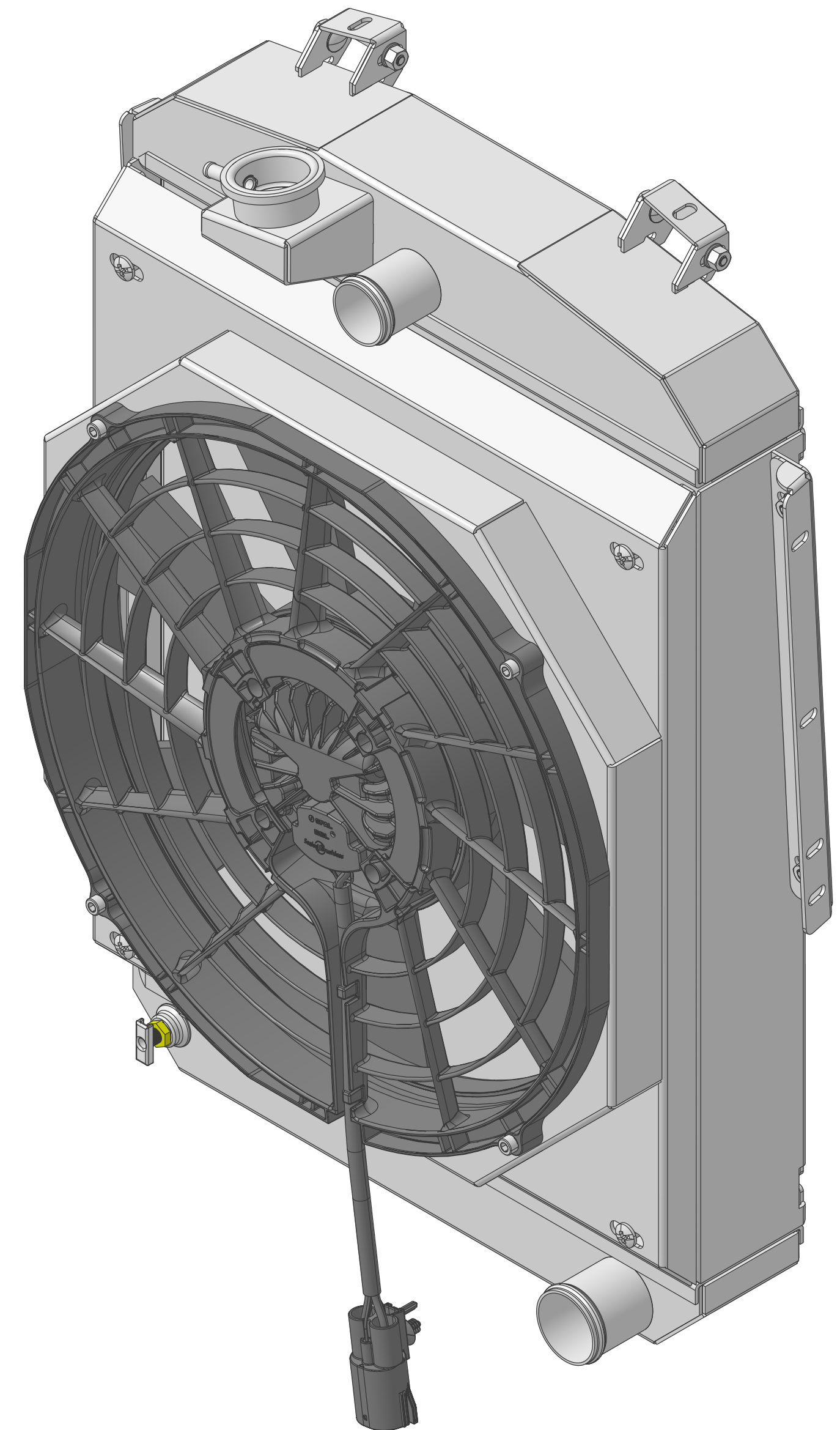
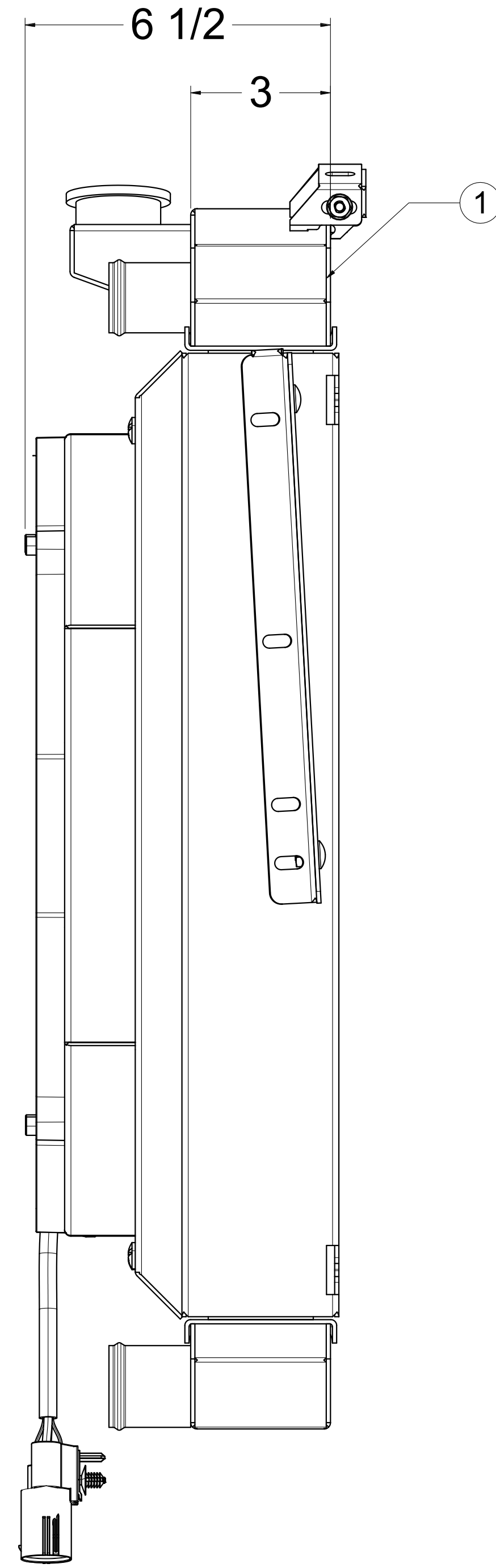
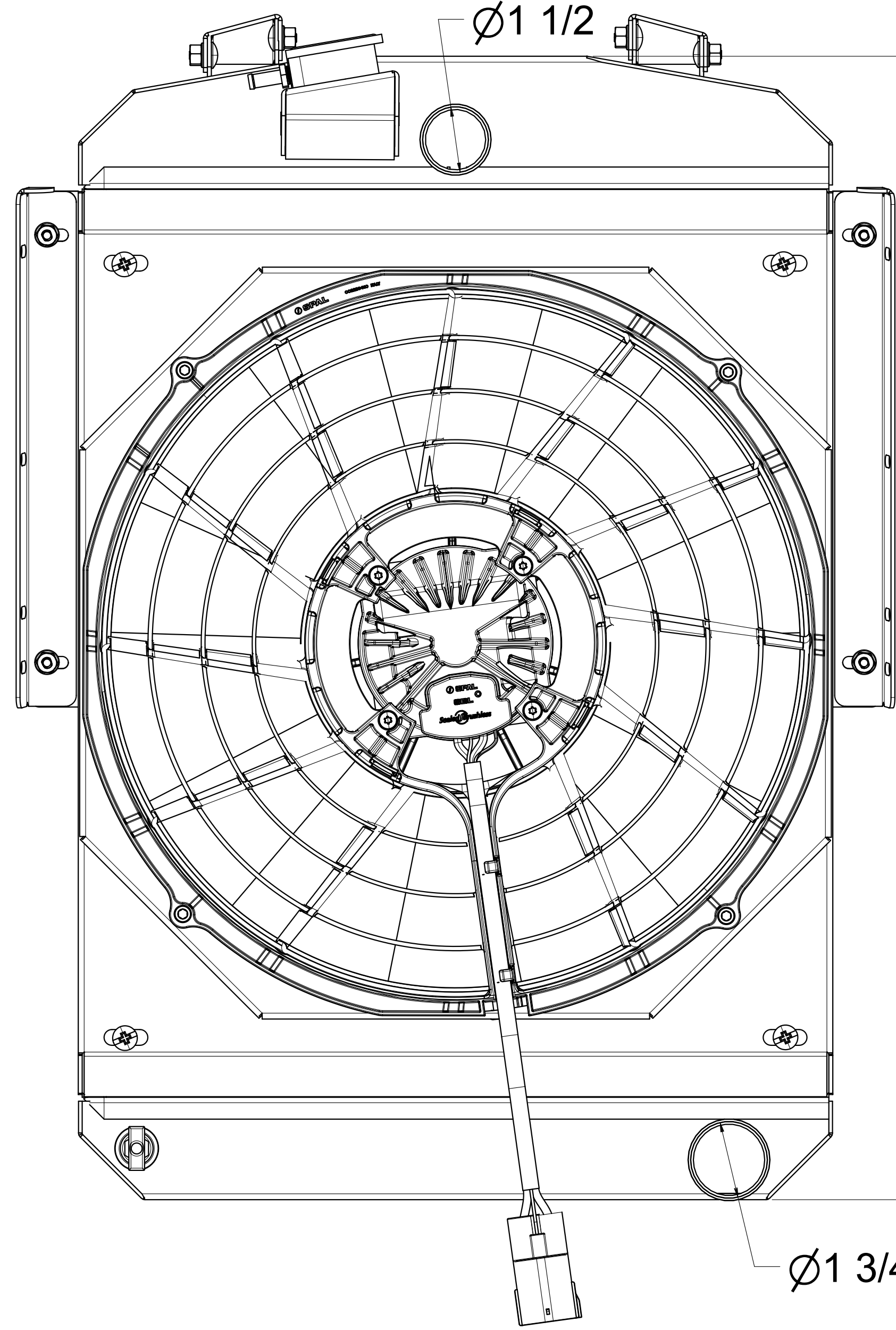
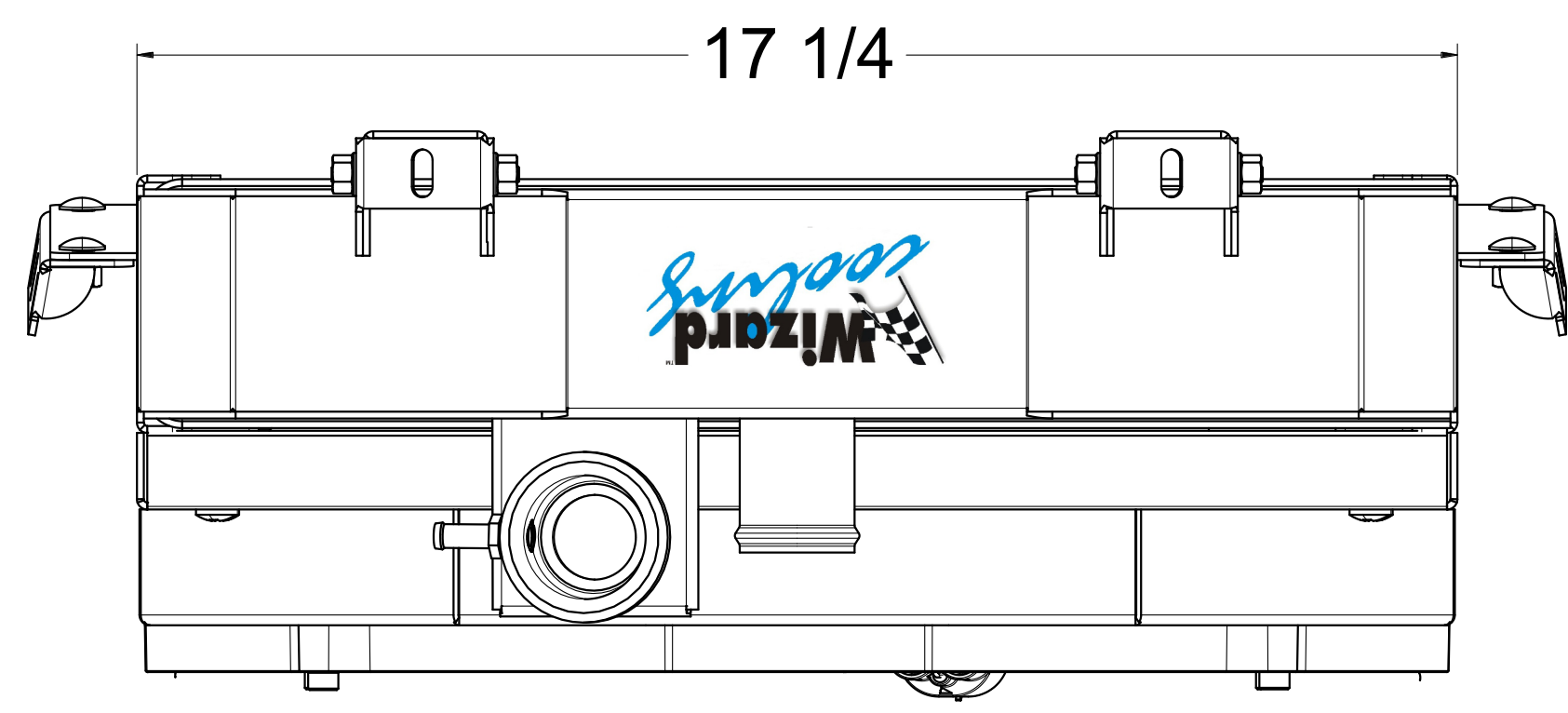


ZONE		REV	DESCRIPTION	DATE	APPROVED

SKU #	Radiator DWG #	Radiator P/N	Transmission	Core Size	Shroud & Fan DWG #	Shroud & Fan P/N	Fan Type
1-92002-108BL300	1-92002-Radiator	1-92002-100	Manual	STANDARD (2 Rows of 1" Tubes)	1-92002-008BL (Dual Chamber Shroud)	1-92002-008BL300	300W Brushless
1-92002-108BL500						1-92002-008BL500	500W Brushless
1-92002-208BL300		1-92002-200		UPGRADED (2 Rows of 1.25" Tubes)		1-92002-008BL300	300W Brushless
1-92002-208BL500						1-92002-008BL500	500W Brushless



Item Number	Quantity	Part Number	Part Name	Revision	Comment
1	1	See Table	Radiator Assembly (Manual)		

DRAWN SH	DATE 4-22-26	Title: 1-92002-Radiator & 1-92002-008BL Manual Transmission	
CHECKED			
QA			
MFG			
APPROVED		SIZE: D FSCM NO.: DWG NO.: REV: -	
SCALE: 1:1		SHEET	