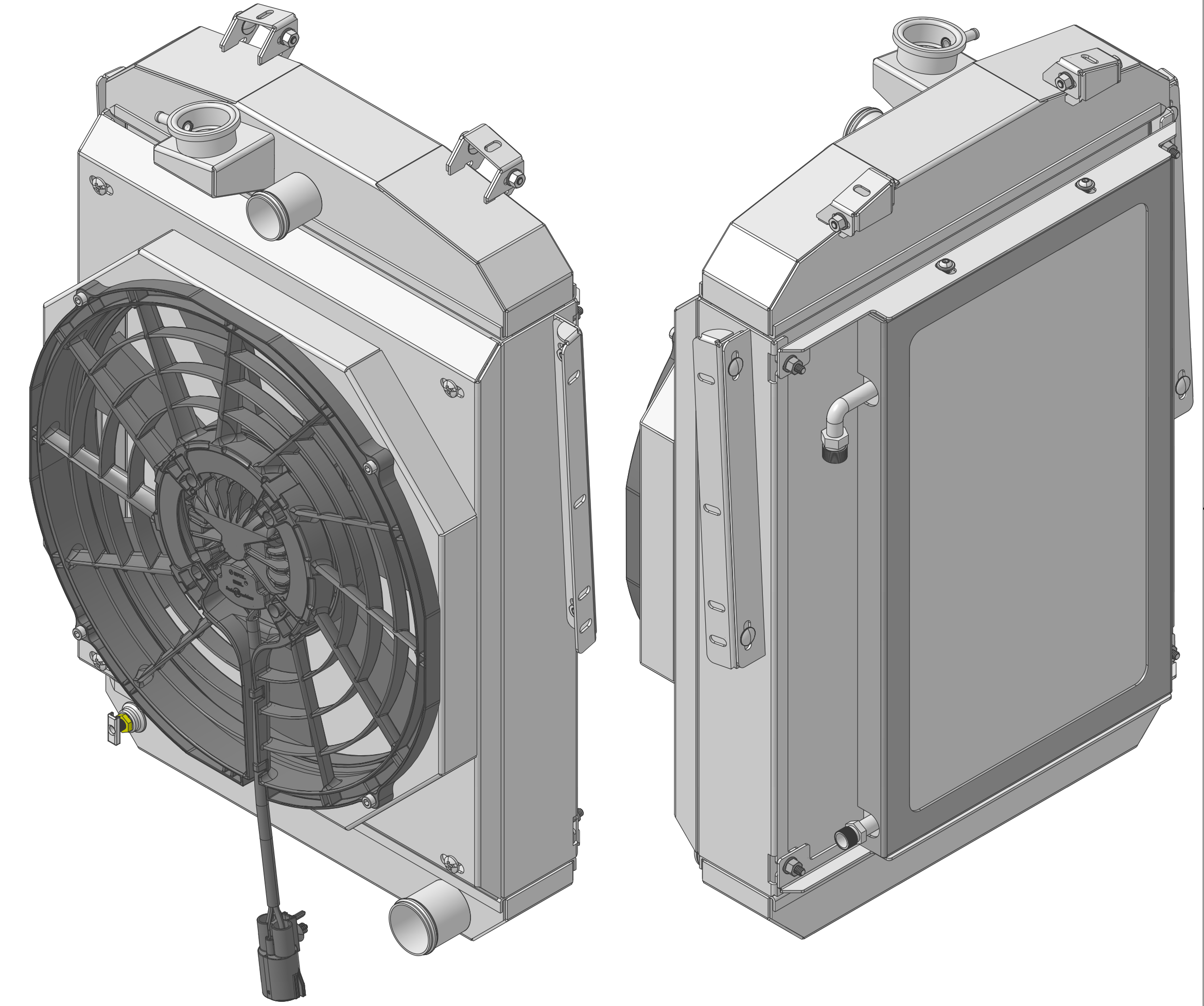
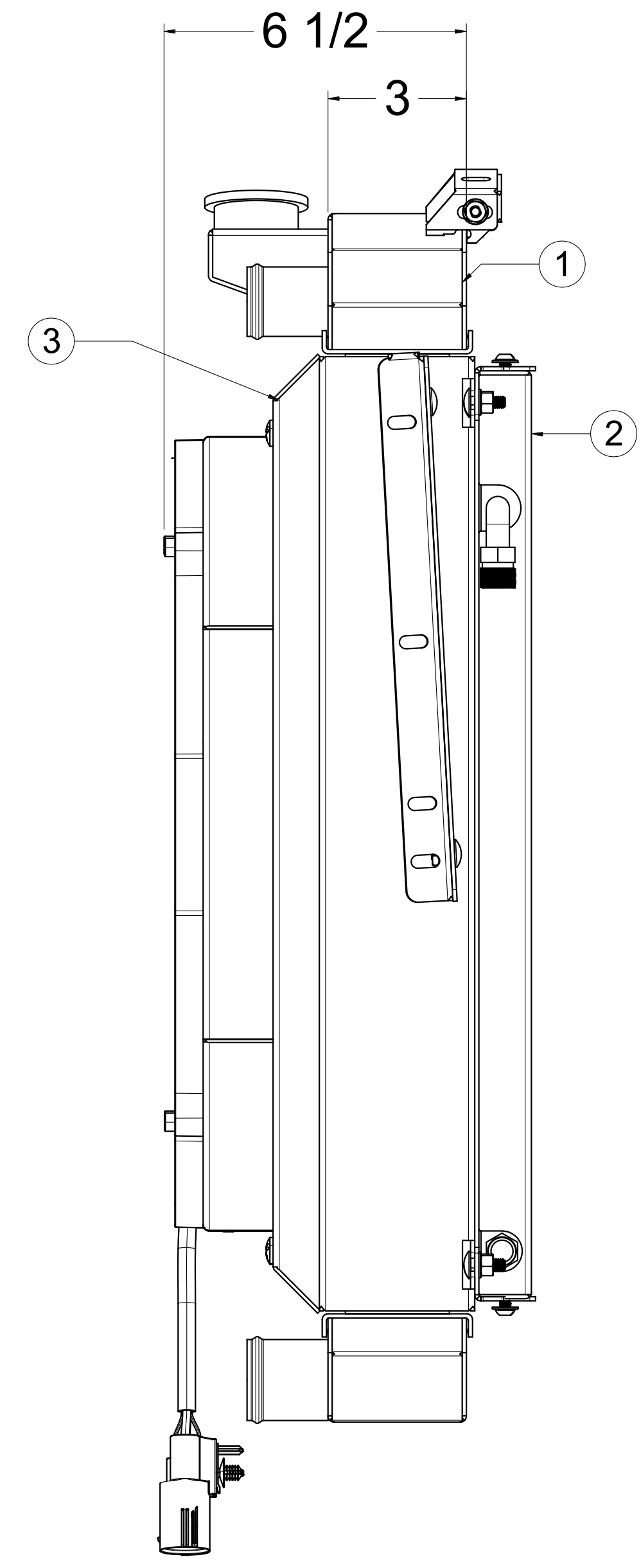
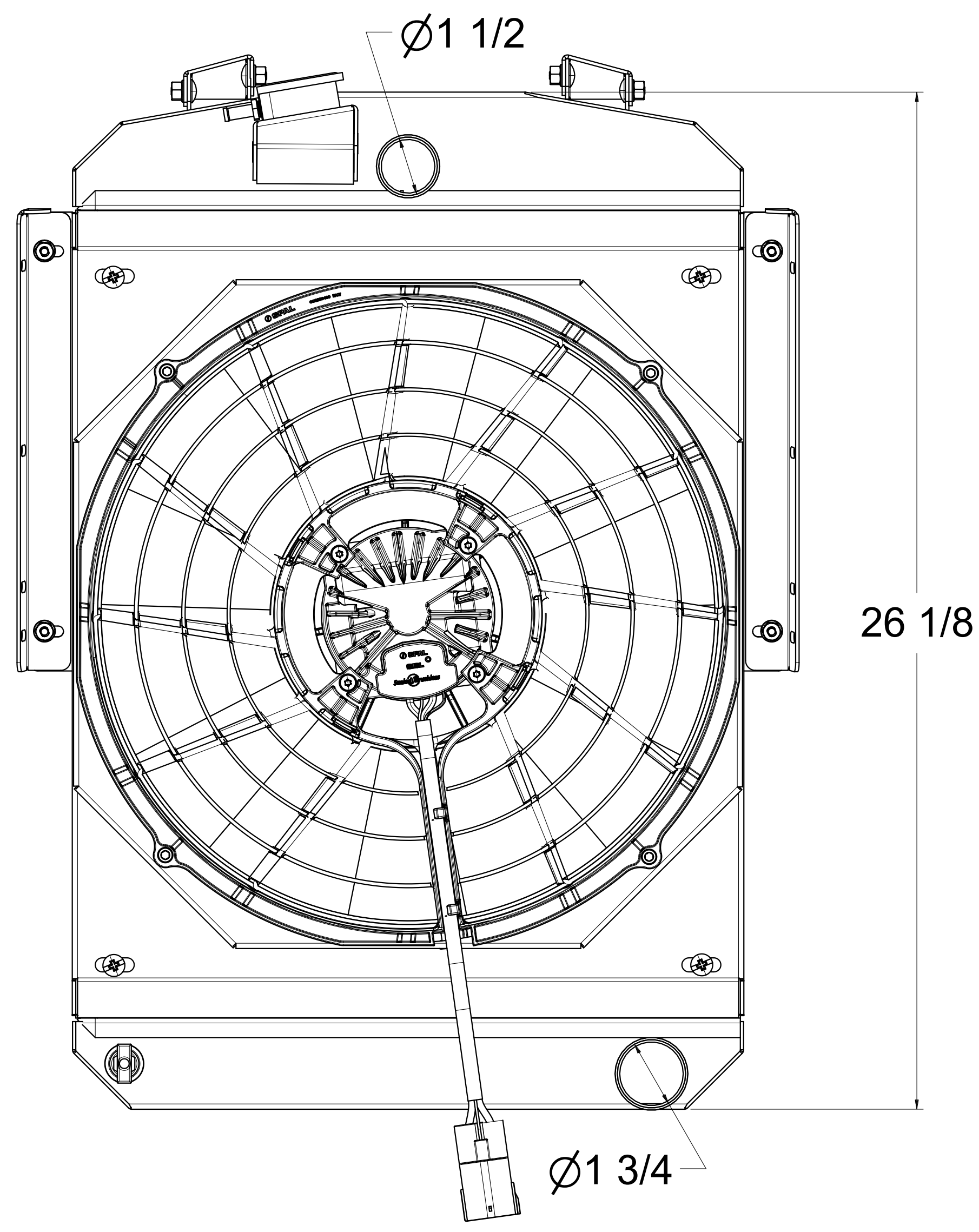
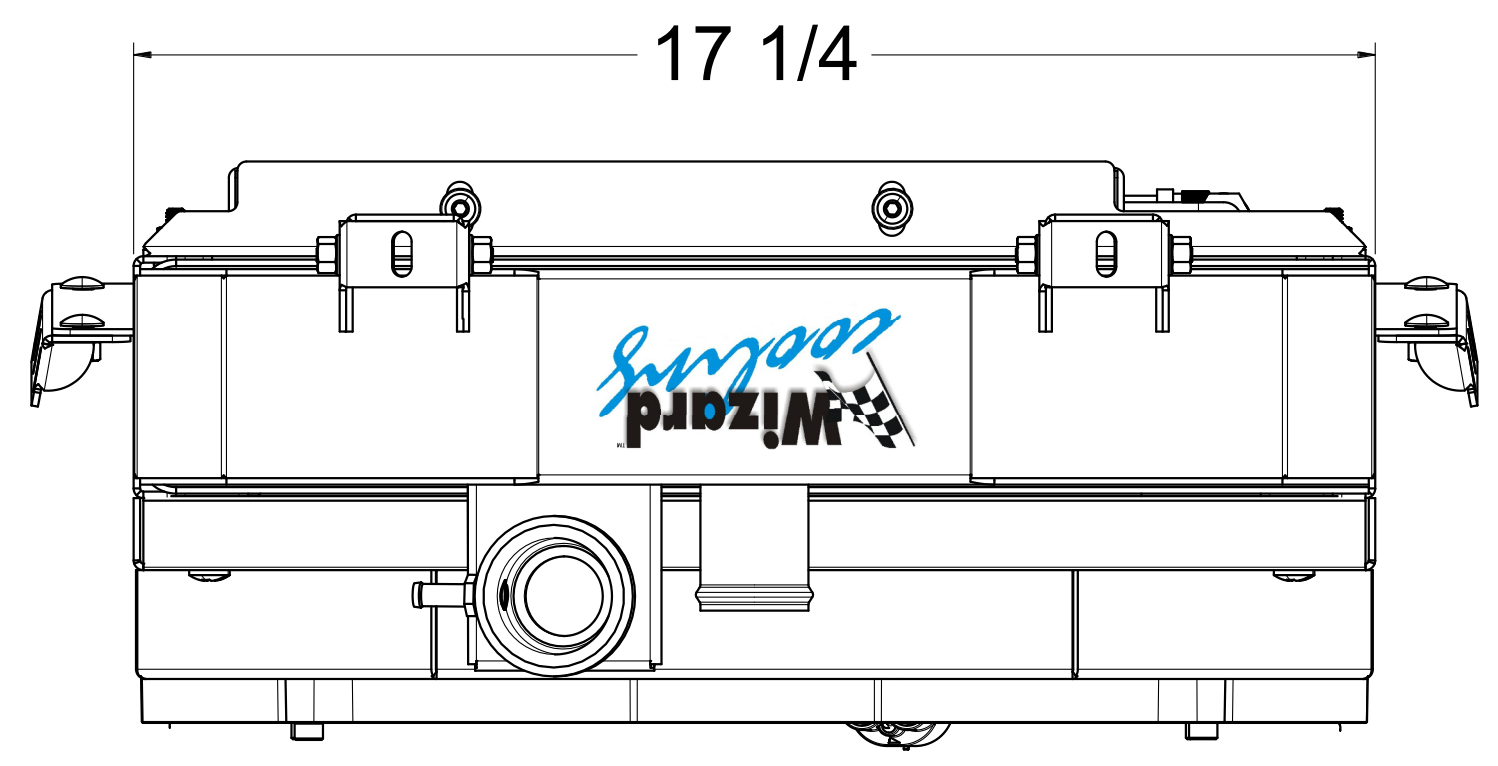


REVISIONS				
ZONE	REV	DESCRIPTION	DATE	APPROVED

SKU #	Radiator DWG #	Radiator P/N	Transmission	Core Size	Shroud & Fan DWG #	Shroud & Fan P/N	Fan Type	A/C Condenser
1-92002-108BLAC300	1-92002-Radiator	1-92002-100	Manual	STANDARD (2 Rows of 1" Tubes)	1-92002-008BL (Dual Chamber Shroud)	1-92002-008BL300	300W Brushless	1-92002-000AC
1-92002-108BLAC500		1-92002-200				500W Brushless		
1-92002-208BLAC300		UPGRADED (2 Rows of 1.25" Tubes)		1-92002-008BL300		300W Brushless		
1-92002-208BLAC500				1-92002-008BL500		500W Brushless		



Item Number	Quantity	Part Number	Part Name	Revision	Comment
1	1	See Table	Radiator Assembly (MT)		
2	1	1-92002-000AC	A/C Condenser		
3	1	1-92002-008BL	BL Shroud Asm.		

	DRAWN	SH	DATE	4-22-26	
	CHECKED	QA			
	MFG				
	APPROVED				
<b>Title:</b> 1-92002-Radiator & 1-92002-008BLAC Manual Transmission			SIZE	D	
SCALE		1:1	FSCM NO.	DWG NO.	
				REV	-
				SHEET	