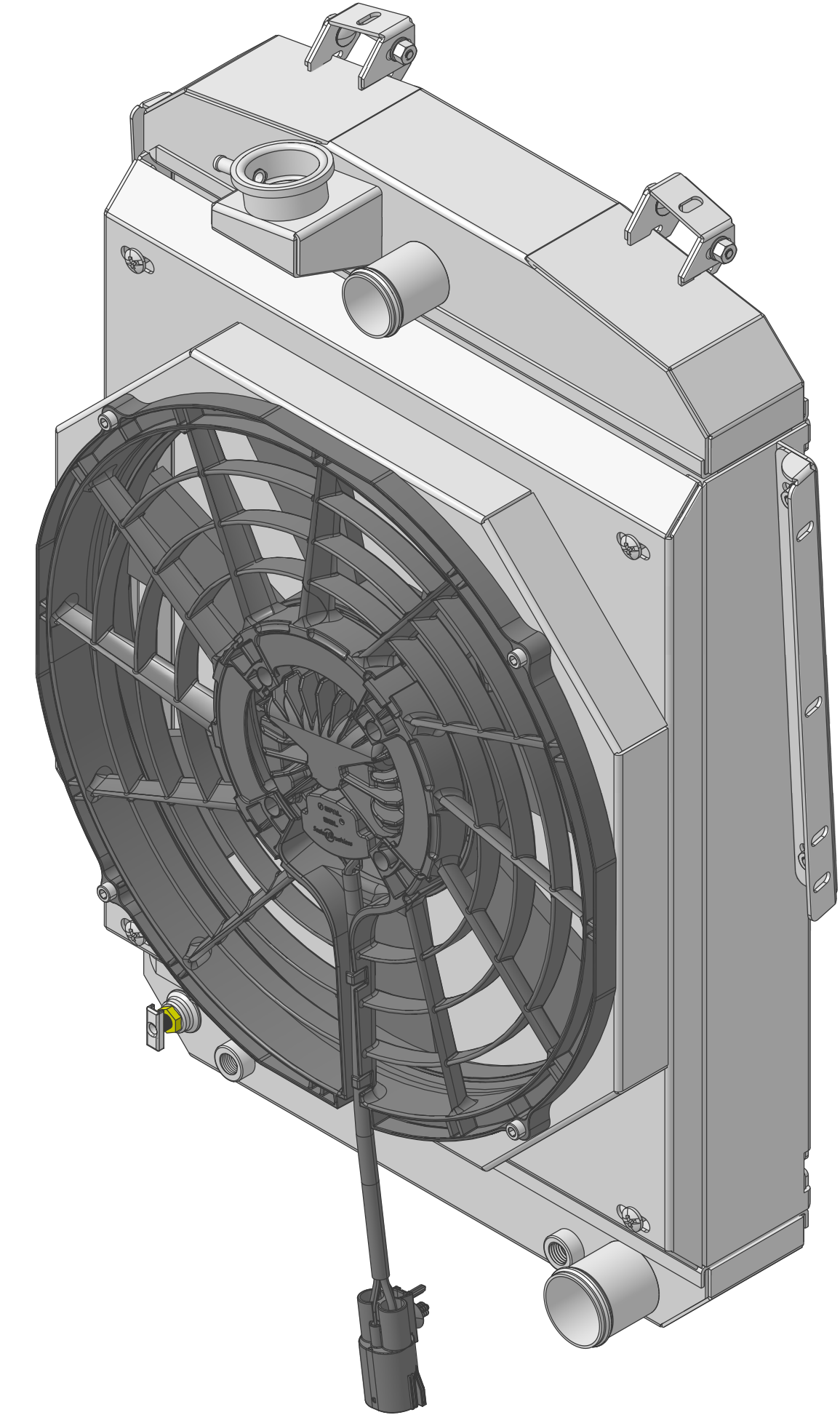
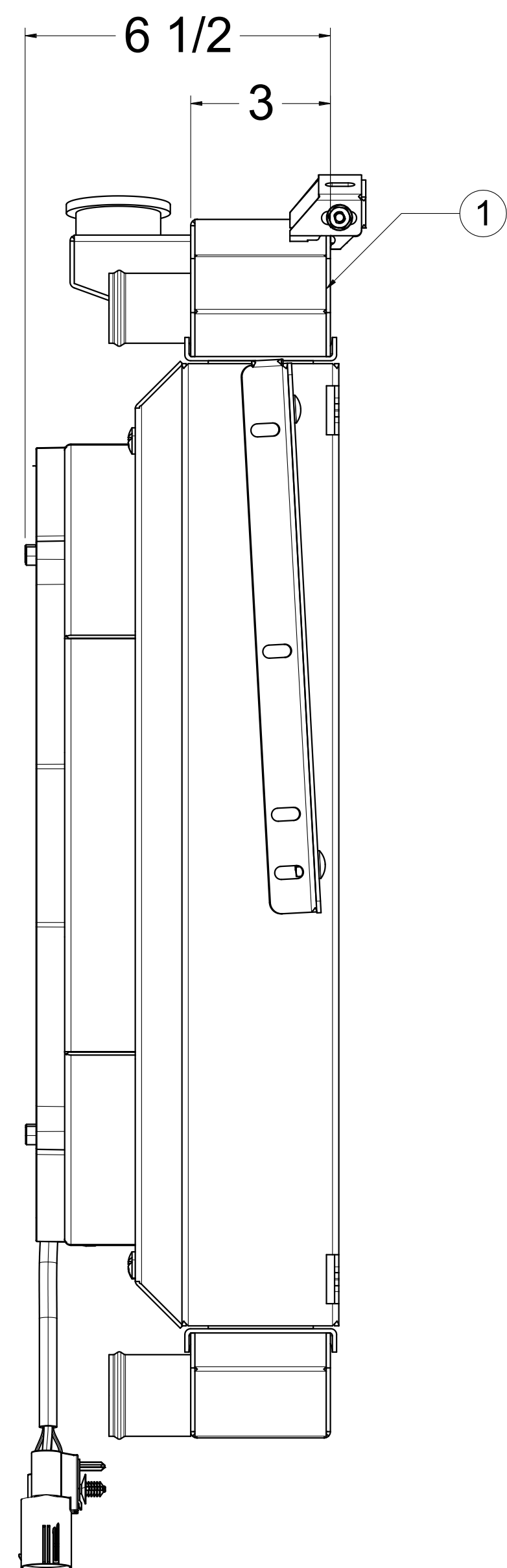
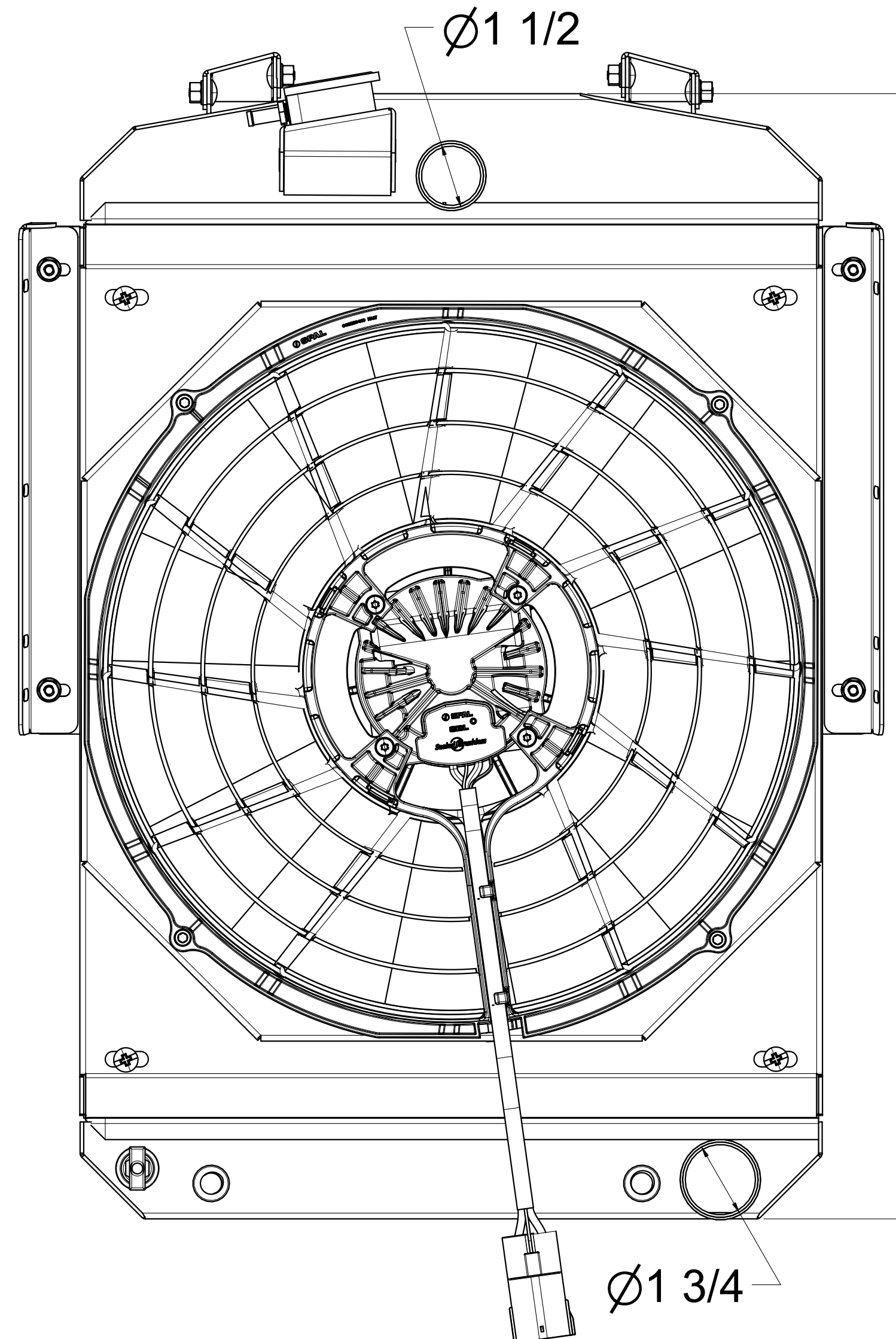
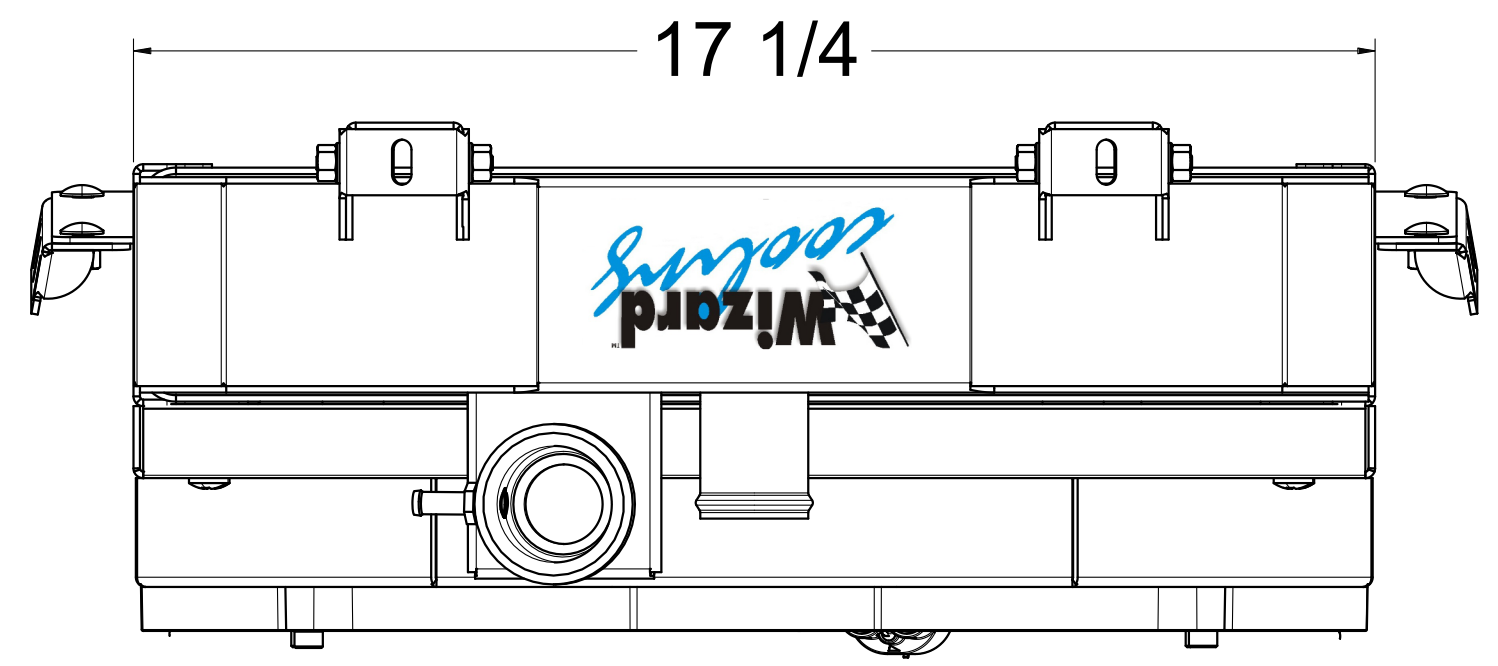


REVISIONS				
ZONE	REV	DESCRIPTION	DATE	APPROVED

SKU #	Radiator DWG #	Radiator P/N	Transmission	Core Size	Shroud & Fan DWG #	Shroud & Fan P/N	Fan Type
1-92002-118BL300	1-92002-Radiator	1-92002-110	Automatic	STANDARD (2 Rows of 1" Tubes)	1-92002-008BL (Dual Chamber Shroud)	1-92002-008BL300	300W Brushless
1-92002-118BL500						1-92002-008BL500	500W Brushless
1-92002-218BL300		1-92002-210		UPGRADED (2 Rows of 1.25" Tubes)		1-92002-008BL300	300W Brushless
1-92002-218BL500						1-92002-008BL500	500W Brushless



Item Number	Quantity	Part Number	Part Name	Revision	Comment
1	1	See Table	Radiator Assembly (Automatic)		



DRAWN SH CHECKED QA MFG APPROVED	DATE 4-22-26	Title: 1-92002-Radiator & 1-92002-008BL Automatic Transmission		SIZE D FSCM NO. DWG NO. REV -
SCALE 1:1		SHEET		